

Installation Instructions

36" Island Chimney Vent Hood

ZV925

49-80329-4



Installation Instructions



BEFORE YOU BEGIN

Read these instructions completely and carefully.

- **IMPORTANT** – Save these instructions for local inspector's use.
- **IMPORTANT** – Observe all governing codes and ordinances.
- **Note to Installer** – Be sure to leave these instructions with the Consumer.
- **Note to Consumer** – Keep these instructions for future reference.
- **Skill Level** – Installation of this vent hood requires basic mechanical and electrical skills.
- **Completion time** – 1 to 3 hours.
- Proper installation is the responsibility of the installer.
- Product failure due to improper installation is not covered under the Warranty.

⚠CAUTION:

Due to the weight and size of these vent hoods and to reduce the risk of personal injury or damage to the product, **THREE PEOPLE ARE REQUIRED FOR PROPER INSTALLATION.**

⚠PRUDENCE :

À cause du poids et des dimensions de ces hottes et pour réduire les risques de blessures ou de dommages du produit, **IL FAUT TROIS PERSONNES POUR FAIRE UNE INSTALLATION CORRECTE.**

⚠WARNING:

To reduce the risk of fire or electrical shock, do not use this range hood with any external solid-state speed control device. Any such alteration from original factory wiring could result in damage to the unit and/or create an electrical safety hazard.

⚠AVERTISSEMENT :

Pour réduire le risque d'incendie ou de choc électrique, il ne faut pas utiliser cette hotte avec un régulateur de vitesse électronique externe. Toute modification de ce type du branchement d'usine peut endommager l'appareil ou créer un risque de choc électrique.

TO REDUCE THE RISK OF FIRE, USE ONLY METAL DUCTWORK.

⚠WARNING: TO REDUCE THE RISK OF FIRE, ELECTRICAL SHOCK OR INJURY, OBSERVE THE FOLLOWING:

- A. Use this unit only in the manner intended by the manufacturer. If you have any questions, contact the manufacturer.
- B. Before servicing or cleaning unit, switch power off at the service panel and lock service panel to prevent power from being switched on accidentally. If the service panel cannot be locked, fasten a tag or prominent warning label to the panel.

⚠AVERTISSEMENT :

POUR RÉDUIRE LE RISQUE D'INCENDIE, DE CHOC ÉLECTRIQUE OU DE BLESSURES, IL FAUT OBSERVER LES REGLES SUIVANTES :

- A. Utilisez cet appareil uniquement de la manière prévue par le fabricant. En cas de question, consultez le fabricant.
 - B. Avant toute intervention ou nettoyage, coupez l'alimentation électrique au disjoncteur et verrouillez le panneau du disjoncteur pour éviter la mise sous tension accidentelle. S'il n'est pas possible de verrouiller le panneau du disjoncteur, attachez un placard ou une étiquette très visible au panneau.
- For general ventilating use only. Do not use to exhaust hazardous or explosive materials or vapors.
 - Structural framing, installation work and electrical wiring must be done by qualified person(s) in accordance with all applicable codes and standards, including fire-rated construction.
 - Sufficient air is needed for proper combustion and exhausting of gases through the flue (chimney) of fuel burning equipment to prevent back drafting. Follow the heating equipment manufacturer's guidelines and safety standards such as those published by the National Fire Protection Association (NFPA), and the American Society for Heating, Refrigeration and Air Conditioning Engineers (ASHRAE), and the local code authorities. When applicable, install any makeup (replacement) air system in accordance with local building code requirements. Visit **GEAppliances.com** for available makeup air solutions.
 - Local codes vary. Installation of electrical connections and grounding must comply with applicable codes. In the absence of local codes, the vent should be installed in accordance with National Electrical Code ANSI/NFPA 70-1990 or latest edition.

⚠CAUTION: To reduce risk of fire and to properly exhaust air, be sure to duct air outside. Do not vent exhaust air into spaces within walls or ceilings or into attics, crawl spaces or garages.

⚠PRUDENCE : Il faut prendre soin d'installer un conduit vers l'extérieur pour réduire le risque d'incendie et pouvoir évacuer l'air correctement. Il ne faut pas évacuer l'air dans l'espace entre les parois d'un mur, un plafond ou un grenier, un espace sanitaire ou un garage.

Design Information

CONTENTS

Design Information

Product Dimensions.....3

Advance Planning

Advance Planning4

Power Supply4

Duct Fittings5

Installation Preparation

Installation Height6

Tools and Materials Required.....7

Remove the Packaging7

Parts Provided8

Installation Preparation

Construct Ceiling Support.....9-11

Installation Instructions—Vented to the Outside

Step 1, Mount Template12

Step 2, Adjust Frame Height.....12

Step 3, Cut Duct to Length for Vented Installation13

Step 4, Install the Support Frame.....13

Step 5, Install Hood Attachment Screws.....13

Step 6, Mount the Hood onto the Support.....14

Step 7, Connect Cables.....14

Step 8, Connect Electrical.....15

Step 9, Prepare the Duct Covers.....16

Step 10, Install Upper Duct Cover16

Step 11, Install Lower Duct Cover17

Step 12, Install Duct Cover Trim17

Step 13, Install Metal Filter17

Step 14, Finalize Installation17

Installation Instructions—Recirculating

Step 1, Mount Template18

Step 2, Adjust Frame Height.....18

Step 3, Install Air Deflector, Cut Duct
for Recirculating Operation19

Step 4, Install Upper Support Frame.....19

Step 5, Install Lower Structure to Upper Structure20

Step 6, Install Blower/Motor20

Step 7, Install Hood Attachment Screws.....21

Step 8, Mount the Hood onto the Support.....21

Step 9, Connect Cables.....21

Step 10, Connect Electrical.....22

Step 11, Prepare the Duct Covers.....23

Step 12, Install Upper Duct Cover23

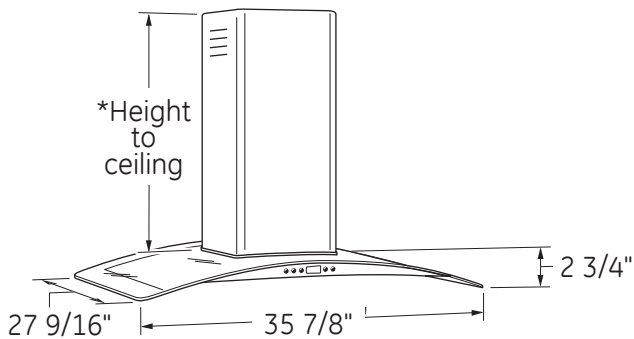
Step 13, Install Lower Duct Cover24

Step 14, Install Duct Cover Trim24

Step 15, Install Filters25

Step 16, Finalize Installation.....25

PRODUCT DIMENSIONS

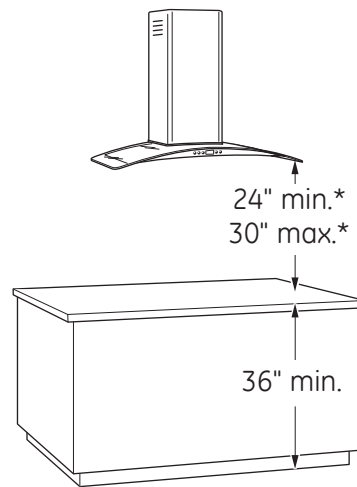


* The supplied duct cover fits 7'-11" to 9' ceiling heights. For 9'-1" to 10'-1" ceilings, order ZX92510.

These vent hoods are supplied with a support frame for ceiling heights of 7'-11" to 10'-1".

Decorative duct covers conceal the ductwork running from the top of the hood to the ceiling.

ZX92510 accessory is available for ceiling heights of 9'-1" to 10'-1".



* Exact installation height depends on ceiling height.

NOTE: Installation height should be measured from the cooking surface to the bottom of the outer glass portion of the hood.

This hood must be installed 24" min. and 30" max. above the cooking surface. The cooking surface should be at least 36" above the floor.

This hood may be vented to the outdoors, or it can be installed for recirculating operation.

This hood can be installed over any Monogram electric or gas cooktop. It cannot be installed over a Monogram Professional cooktop or range.

Advance Planning

ADVANCE PLANNING

Ductwork Planning

- These vent hoods are equipped for 8" round ductwork.
- Determine the exact location of the vent hood.
- Plan the route for venting exhaust to the outdoors.
- Use the shortest and straightest duct route possible. For satisfactory performance, duct run should not exceed 100 ft. equivalent length for any duct configurations.
- Refer to "Duct Fittings" chart to compute the maximum permissible length for duct runs to the outdoors.
- Use rigid metal ductwork only.
- Install a roof cap with damper at the exterior opening. Order the cap and any transitions needed in advance.
- When applicable, install any makeup (replacement) air system in accordance with local building code requirements. Visit GEAppliances.com for available makeup air solutions.

Ceiling Framing for Adequate Support

- These vent hoods are heavy. Adequate structural support must be provided. The ceiling structure must be capable of supporting the weight of the hood and any inadvertent user contact loads (approximately 200 pounds). The hood support frame will be supported by 2 x 4 cross framing.
- Installation will be easier if the vent hood is installed before the cooktop or countertop below is installed.

Accessory Duct Cover

- All models are shipped with a duct cover for ceiling heights of 7'-11" to 9'.

ZX92510 accessory 36-3/4" duct cover is available to reach 9'-1" to 10'-1" ceiling heights. The accessory should be ordered with the hood and be on site before final framing and wall finishing.

POWER SUPPLY

IMPORTANT - (Please read carefully)

⚠️ WARNING:

FOR PERSONAL SAFETY, THIS APPLIANCE MUST BE PROPERLY GROUNDED.

⚠️ ATTENTION : POUR DES RAISONS DE SÉCURITÉ, CET APPAREIL DOIT ÊTRE CORRECTEMENT MIS À LA TERRE.

Remove house fuse or open circuit breaker before beginning installation.

Do not use an extension cord or adapter plug with this appliance. Follow National electrical codes or prevailing local codes and ordinances.

Electrical Supply

This vent hood must be supplied with 120V, 60Hz, and connected to an individual, properly grounded branch circuit, and protected by a 15 or 20 amp circuit breaker or time delay fuse.

- Wiring must be 2 wire with ground.
- If the electrical supply does not meet the above requirements, call a licensed electrician before proceeding.
- Route house wiring in the ceiling, as close to the installation location as possible. Allow additional length from ceiling joists to reach the junction box on the bottom of the hood support frame.
- Connect the wiring to the house wiring in accordance with local codes.

Grounding Instructions

The grounding conductor must be connected to a ground metal, permanent wiring system, or an equipment-grounding terminal or lead on the hood.

⚠️ WARNING: The improper connection of equipment-grounding conductor can result in a risk of electric shock. Check with a qualified electrician or service representative if you are in doubt whether the appliance is properly grounded.

⚠️ AVERTISSEMENT :

Le mauvais branchement du fil de mise à la terre peut causer un choc électrique. En cas de doute, consultez un électricien qualifié ou un technicien pour déterminer si l'appareil est à la terre.

Advance Planning

DUCT FITTINGS

This Hood Must Use an 8" Round Duct. It Can Transition to a 3-1/4" x 12" Duct.

Use this chart to compute maximum permissible lengths for duct runs to outdoors.

NOTE: Do not exceed maximum permissible equivalent lengths!

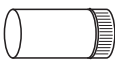
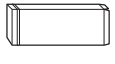


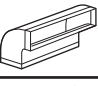
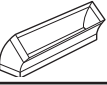
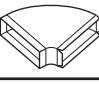
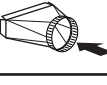
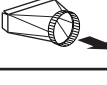
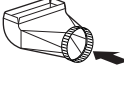

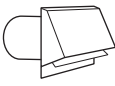
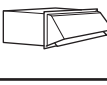

Maximum duct length: 100 foot for range hoods.

Flexible ducting:

If flexible metal ducting is used, all the equivalent feet values in the table should be doubled. The flexible metal duct should be straight and smooth and extended as much as possible.

DO NOT use flexible plastic ducting.

NOTE: Any home ventilation system, such as a ventilation hood, may interrupt the proper flow of combustion air and exhaust required by fireplaces, gas furnaces, gas water heaters and other naturally vented systems. To minimize the chance of interruption of such naturally vented systems, follow the heating equipment manufacturer's guidelines and safety standards such as those published by NFPA and ASHRAE. When applicable, install any makeup (replacement) air system in accordance with local building code requirements. Visit GEAppliances.com for available makeup air solutions.

Duct Piece	Dimensions	Equivalent Length*	Quantity Used	Total Equivalent Length
	Round, straight	1 ft. (per foot length)		
	3-1/4" x 12" straight	1 ft. (per foot length)		
	90° elbow	17 ft.		
	45° elbow	10 ft.		
	3-1/4" x 12" 90° elbow	43 ft.		
	3-1/4" x 12" 45° elbow	26 ft.		
	3-1/4" x 12" 90° flat elbow	102 ft.		
	8" round to 3-1/4" x 12" transition	2 ft.		
	3-1/4" x 12" to 8" round transition	5 ft.		
	8" round to 3-1/4" x 12" transition 90° elbow	6 ft.		
	3-1/4" x 12" to 8" round transition 90° elbow	13 ft.		
	Round wall cap with damper	32 ft.		
	3-1/4" x 12" wall cap with damper	75 ft.		
	Round roof cap	44 ft.		

*Actual length of straight duct plus duct fitting equivalent. Equivalent length of duct pieces are based on actual tests conducted by GE Evaluation Engineering and reflect requirements for good venting performance with any ventilation hood.

Total Duct Run _____

Installation Preparation

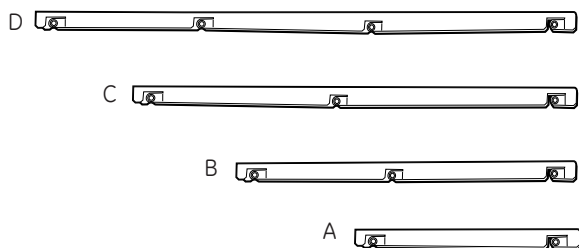
DETERMINE INSTALLATION HEIGHT

- Decorative duct covers are provided to conceal the ductwork running to the ceiling.
- This hood can be installed for recirculating operation. No kits required.

The hood installation height, from the cooking surface to the bottom of the hood, depends upon ceiling height.

For optimum performance, the hood must be 24" min. and 30" max. above the cooking surface.

Use the chart on this page to accurately determine installation height and support frame adjustment, and to select the correct size top trim piece (A, B, C or D).



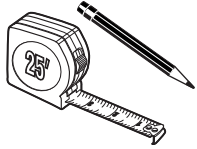
ZX92510 Accessory Duct cover includes a 36-3/4" long duct cover and 3 sets of duct cover top trim pieces labeled E, F, G.

Ceiling Height	Possible Hood Installation Height (inches)	Mounting Frame Height (inches)	Trim Piece Needed
7'-11"	26	30 1/2	A
8'	27	30 1/2	A
8'-1"	24	34 1/2	B
8'-1"	28	30 1/2	A
8'-2"	25	34 1/2	B
8'-2"	29	30 1/2	A
8'-3"	26	34 1/2	B
8'-3"	30	30 1/2	A
8'-4"	27	34 1/2	B
8'-5"	24	38 1/2	C
8'-5"	28	34 1/2	B
8'-6"	25	38 1/2	C
8'-6"	29	34 1/2	B
8'-7"	26	38 1/2	C
8'-7"	30	34 1/2	B
8'-8"	27	38 1/2	C
8'-9"	24	42 1/2	D
8'-9"	28	38 1/2	C
8'-10"	25	42 1/2	D
8'-10"	29	38 1/2	C
8'-11"	26	42 1/2	D
8'-11"	30	38 1/2	C
9'	27	42 1/2	D
ZX92510 Accessory Duct Cover			
9'-1"	24	46 1/2	E
9'-1"≤	28	42 1/2	D
9'-2"	25	46 1/2	E
9'-2"	29	42 1/2	D
9'-3"	26	46 1/2	E
9'-3"	30	42 1/2	D
9'-4"	27	46 1/2	E
9'-5"	24	50 1/2	F
9'-5"	28	46 1/2	E
9'-6"	25	50 1/2	F
9'-6"	29	46 1/2	E
9'-7"	26	50 1/2	F
9'-7"	30	46 1/2	E
9'-8"	27	50 1/2	F
9'-9"	24	54 1/2	G
9'-9"	28	50 1/2	F
9'-10"	25	54 1/2	G
9'-10"	29	50 1/2	F
9'-11"	26	54 1/2	G
9'-11"	30	50 1/2	F
10'	27	54 1/2	G
10'-1"	28	54 1/2	G

Installation Preparation

TOOLS AND MATERIALS REQUIRED

(NOT SUPPLIED)



Pencil and tape measure



Duct tape



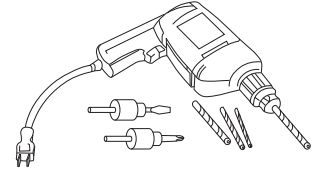
Wire cutter/stripper



3/8" swivel socket or pivoting hex socket with 6" extensions



Hammer



Electric or battery-operated drill and 3/16" bits, Phillips and flat blade screwdriver bits.



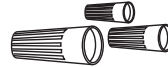
Key hole saw



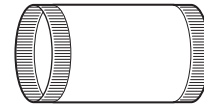
Spirit level



Safety glasses



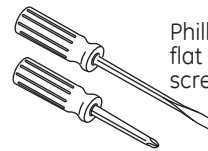
Wire nuts



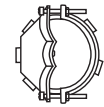
8" round metal duct, length to suit installation.



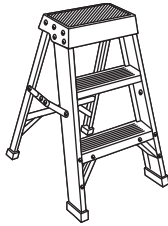
Flashlight



Phillips and flat blade screwdrivers



Strain relief for junction cover.



Step ladder



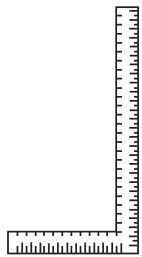
Saber saw or sawsall



Pliers



Metal snips



Carpenter's square



120V 60Hz. 15 or 20 Amp, 2-wire with ground. properly grounded branch circuit.

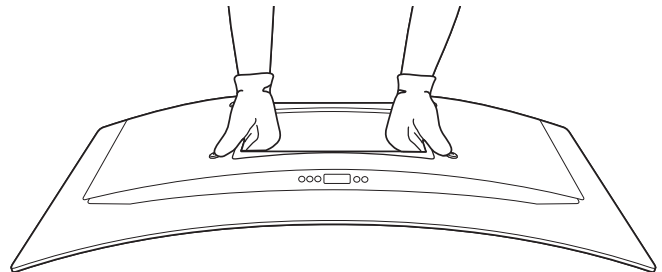
REMOVE THE PACKAGING

⚠ CAUTION: LIFT THE HOOD OUT OF THE BOX BY THE CENTER METAL PORTION. DO NOT LIFT BY THE GLASS SIDES.

⚠ PRUDENCE : LEVEZ LA HOTTE À L'EXTÉRIEUR DE LA BOÎTE PAR LA PORTION MÉTAL CENTRAL. NE LEVEZ PAS PAR LES CÔTÉS DE VERRE.

⚠ CAUTION: Wear gloves to protect against sharp edges.

⚠ PRUDENCE : Portez des gants pour éviter les blessures causées par les tranchants.

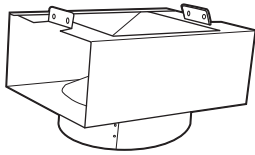


- Grasp the hood by the metal insert in the center and lift straight up and out of the box.
- Remove and properly discard the plastic wrapping.
- Remove parts box, duct covers and other packaging.

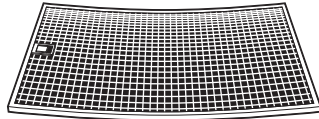
Installation Preparation

PARTS PROVIDED

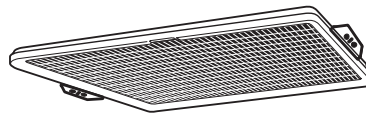
Locate the parts packed with the hood.



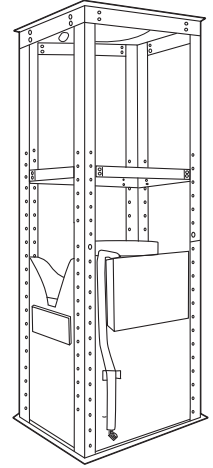
Air deflector for recirculating installation



Stainless steel filter



1 charcoal filter for recirculating installation



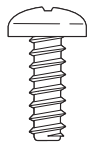
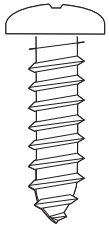
Telescoping support frame

HARDWARE PACKAGE

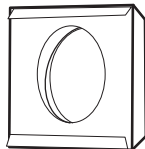
Locate and check contents. Screws shown actual size.



6 ceiling mounting screws

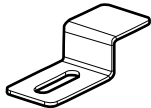


12 sheet metal screws

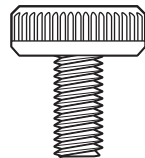


12 cage nuts

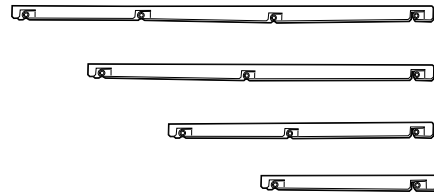
- 42 screws total:
- 24 support frame screws
 - 10 hood attachment screws
 - 2 upper duct cover attachment screws
 - 4 recirculating deflector screws
 - 2 duct cover bracket attachment screws



2 Duct cover brackets



2 thumb screws

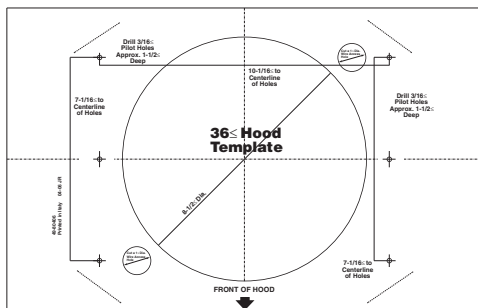


Upper duct cover trim pieces
2 each of 4 sizes

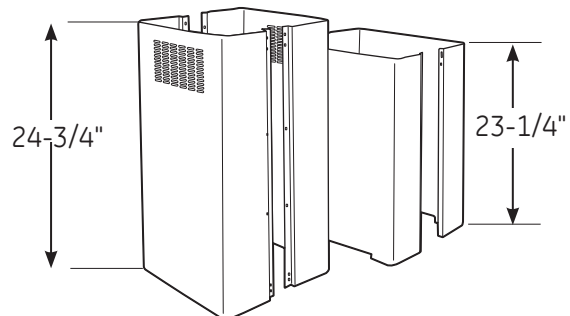


Lower duct cover trim pieces

Note: Some additional hardware/screws included.



Template



Decorative duct covers
(14" wide, 12-3/16" deep when assembled)

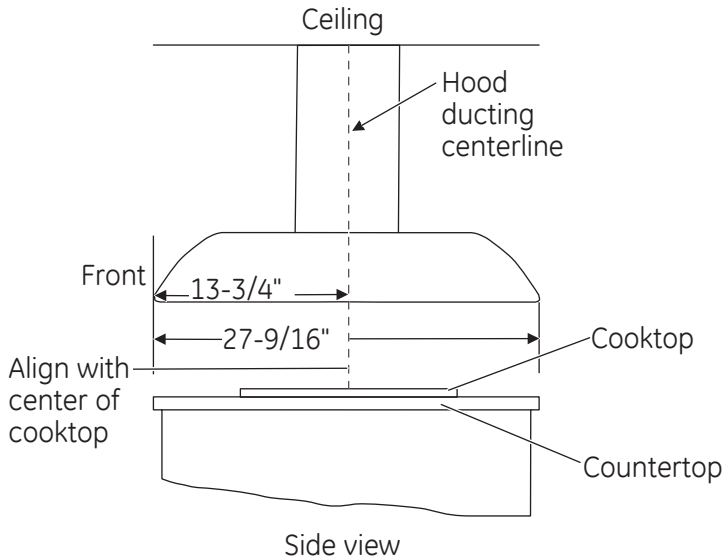
Installation Preparation

CONSTRUCT CEILING SUPPORT

Plan the Location of the Hood and Ductwork

- Use a plumb bob to check the location. The countertop/cooktop below the hood must be centered with the hood.

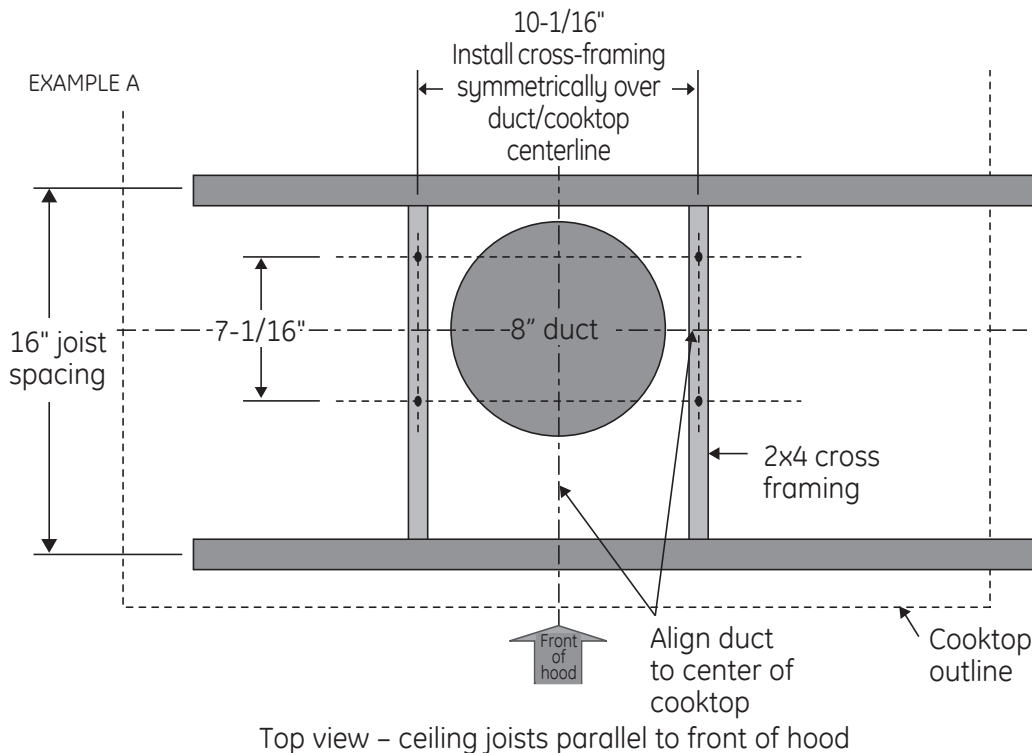
- The hood should extend beyond the front and rear edge of the cooking appliance.
- The duct in the ceiling must be centered over the cooktop.



Ceiling Support Structure

- At the hood location, install 2 x 4 cross framing between ceiling joists as shown. (2x4's are required to support the weight of the hood.)

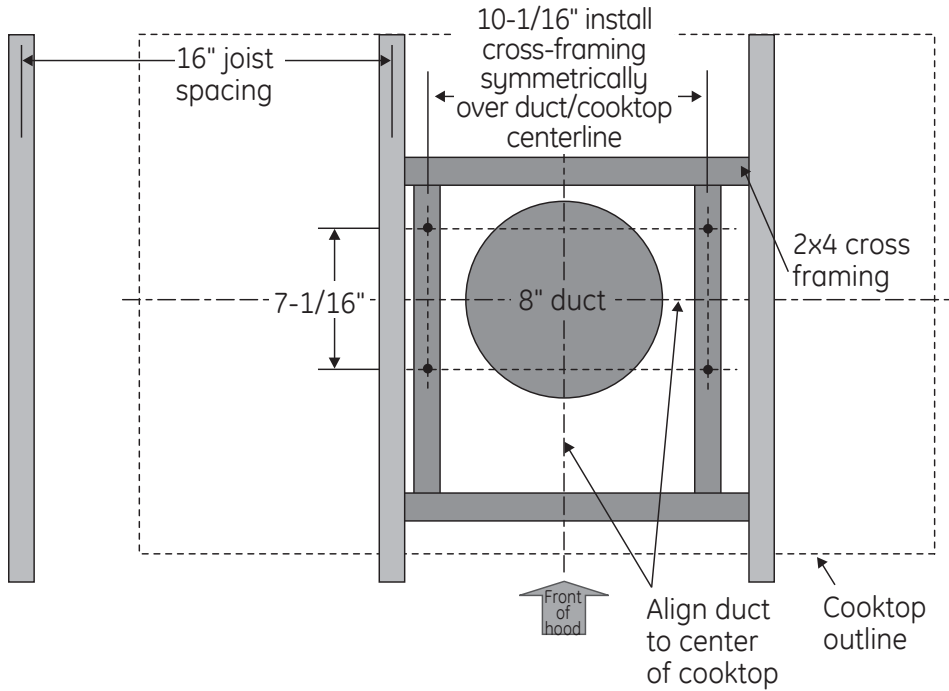
- Arrange cross framing in the ceiling to suit the existing structure.
- Your ceiling joists will be like one of the following examples.



Installation Preparation

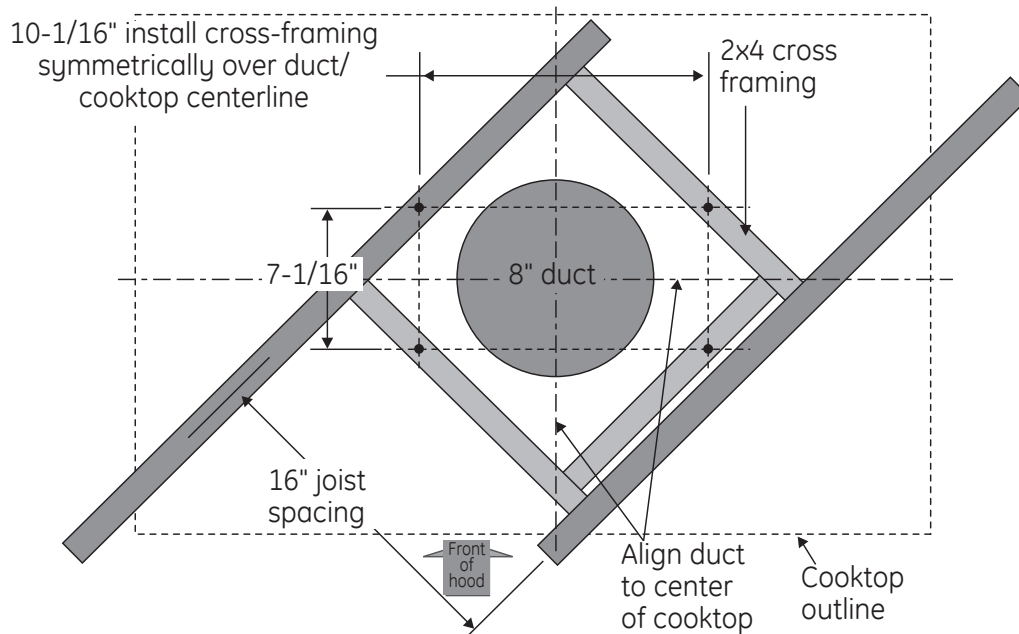
CONSTRUCT CEILING SUPPORT CONTINUED

EXAMPLE B



Top view - ceiling joists run perpendicular to front of hood

EXAMPLE C



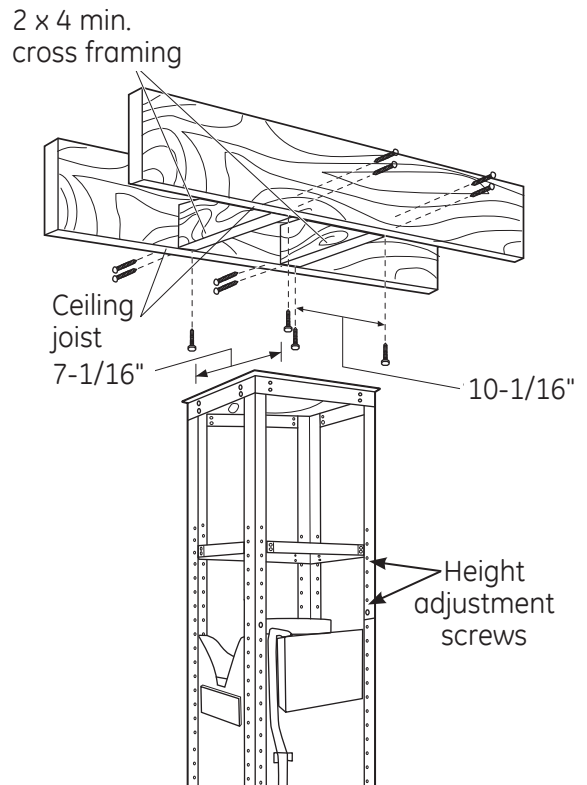
Top view - ceiling joists at angle to front of hood

Installation Preparation

CONSTRUCT CEILING SUPPORT CONTINUED

- Secure each 2 x 4 block with at least four (4), #10 wood screws, 3" long (not supplied). Use 8 wood screws total for the two supports.
- **The cross framing must be accurately aligned to assure correct positioning of the hood.**
- The cross framing must be level in all directions. Check with a spirit level and adjust if necessary.

IMPORTANT: The ceiling structure must be capable of supporting the weight of the hood (approximately 200 pounds) and any inadvertent user contact loads. The hood support frame will be supported by the 2 x 4 cross framing.

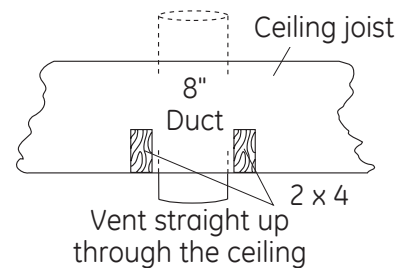


Ductwork for Installations Vented to the Outdoors

- Use the shortest and straightest duct route possible. For satisfactory performance, duct run should not exceed 100 feet equivalent length for any duct configuration.
- Refer to "Duct Fittings" chart to compute the maximum permissible length for duct runs to the outdoors.
- This vent hood must use 8" round rigid duct.
- Install the house ductwork to run horizontally between ceiling joists or straight up through the roof.

Finish the Ceiling

- Finish the ceiling surface. Be sure to mark location of the ceiling joists and cross framing. Check to be sure the ceiling is level; use shims if necessary.

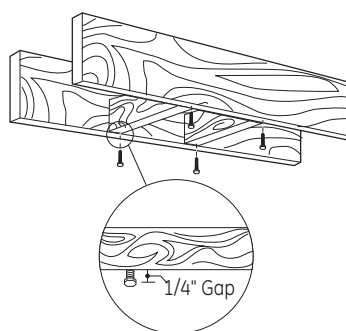
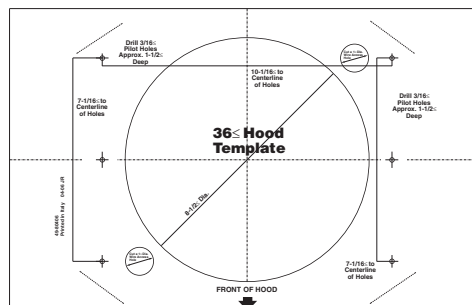


Installation Instructions

INSTALLATION—VENTED TO THE OUTSIDE

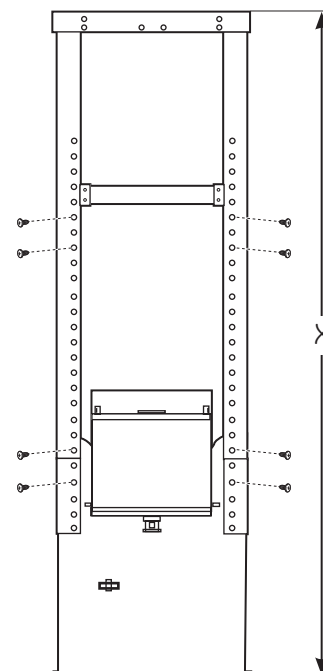
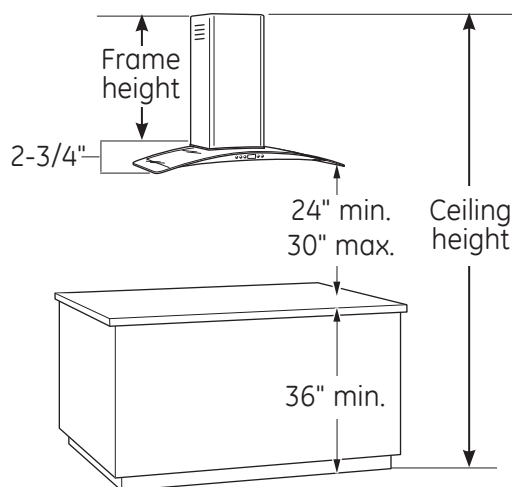
STEP 1 MOUNT TEMPLATE

- Align the template with the marks on the ceiling and tape in place.
 - Be sure the template is oriented correctly with the front of the hood.
- Use a plumb bob to be sure the mounting holes will provide parallel alignment with the countertop below.
- Center punch all hole locations.
- Drill pilot holes in the 4 screw locations. Use a 3/16" bit and drill approximately 1-1/2" deep.
- Drive 4 hex head wood screws into the center of the ceiling joists and cross framing. Leave a 1/4" gap to allow the screw head to engage the keyhole slots on the support frames.
- Cut the 8-1/2" duct opening through the sheet rock.



STEP 2 ADJUST FRAME HEIGHT

- Measure exact ceiling height.
- Find the exact frame height required on the chart on page 6.
- Remove 2 screws on each of the 4 sides of the frame to loosen the upper structure, lower structure and blower/motor.
- Adjust the height "X", according to the chart on page 6. Use a total of 32 screws (8 screws on each side) to secure the upper structure, lower structure and blower/motor together.

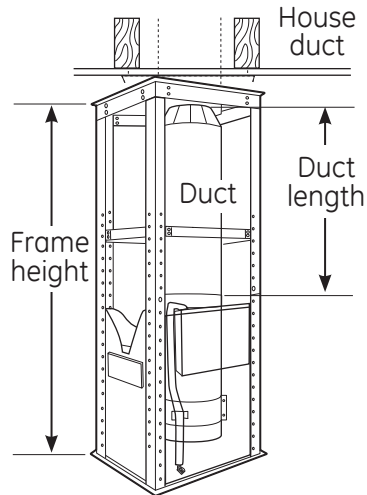


Installation Instructions

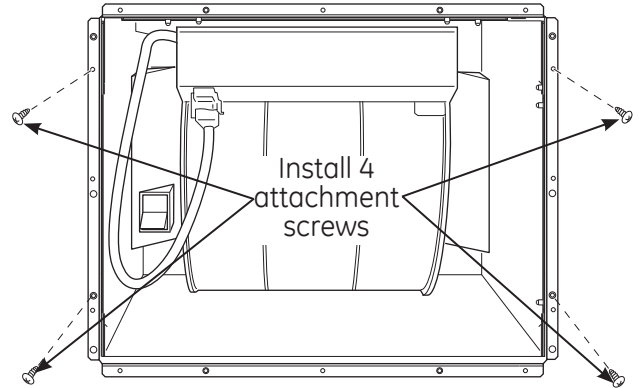
INSTALLATION—VENTED TO THE OUTSIDE

STEP 3 CUT DUCT TO LENGTH FOR VENTED INSTALLATION

- Measure from house duct to exhaust opening.
- Cut the 8" duct length to size.
- Slip duct over the exhaust opening.
- Seal the connection with duct tape.



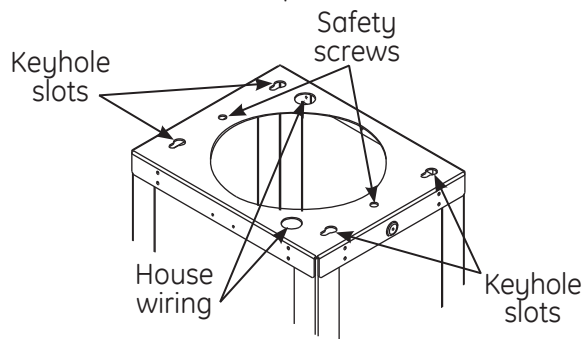
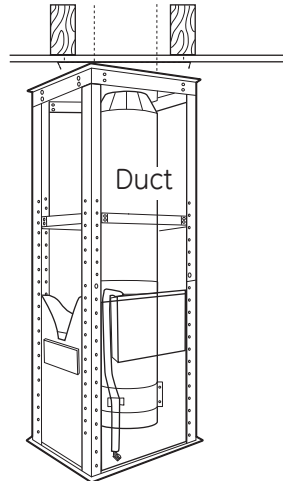
STEP 5 INSTALL HOOD ATTACHMENT SCREWS



- Install 4 hood attachment screws in the bottom of the support as shown. Leave 1/4" gap between screw head and support flange.

STEP 4 INSTALL THE SUPPORT FRAME

- Raise the support toward the ceiling.
- Thread the house wiring through one of the large holes, preferably on the left side.
- Carefully engage the ceiling mounting screws to the keyhole slots AND the house duct in the top of the frame.
- Tighten the 4 mounting screws against the frame.
- Install 2 safety screws.
- Use duct tape to seal the duct connection at the top.



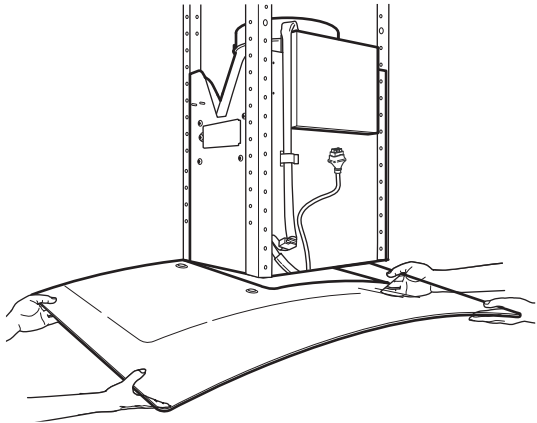
Installation Instructions

INSTALLATION—VENTED TO THE OUTSIDE

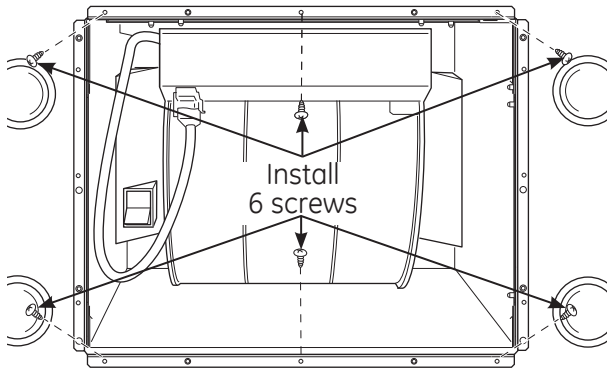
STEP 6 MOUNT THE HOOD ONTO THE SUPPORT

⚠WARNING: Two people are required to lift and position the hood onto the support.

⚠AVERTISSEMENT : Il faut deux personnes pour lever et mettre en place a hotte sur le support de montage.

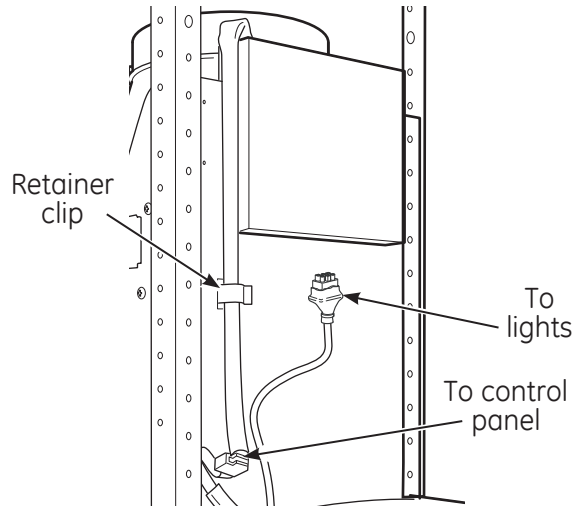


- Lift the hood to the bottom of the support, engaging the keyhole slots to the 4 mounting screws.
- Tighten the 4 mounting screws.



- Install 6 additional screws as shown.

STEP 7 CONNECT CABLES



- Join the two cable connectors at the front of the hood. Secure the cables behind the retainer clip.

Installation Instructions

INSTALLATION—VENTED TO THE OUTSIDE

STEP 8 CONNECT ELECTRICAL

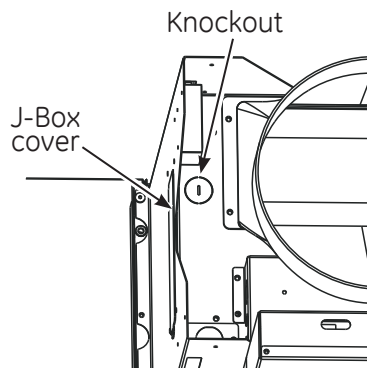
Verify that power is turned off at the source.

⚠WARNING: If house wiring is not 2-wire with a ground wire, a ground must be provided by the installer. When house wiring is aluminum, be sure to use U.L. approved anti-oxidant compound and aluminum-to-copper connectors.

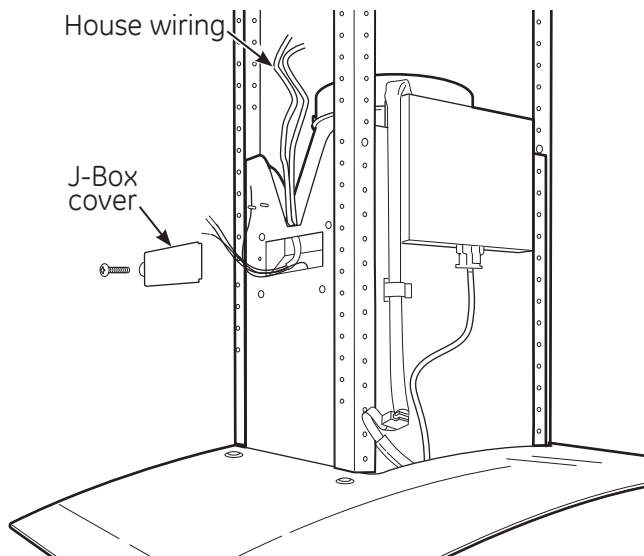
⚠AVERTISSEMENT :

Si la maison n'est pas câblée avec deux fils et un fil de terre, l'installateur doit installer un fil de terre. Quand les fils sont en aluminium, il faut prendre soin d'utiliser des connecteurs aluminium à cuivre avec une pâte antioxydante approuvée par U.L.

- Remove junction box cover and knockout on the left side.



- Secure the house wiring to the junction box with a strain relief.



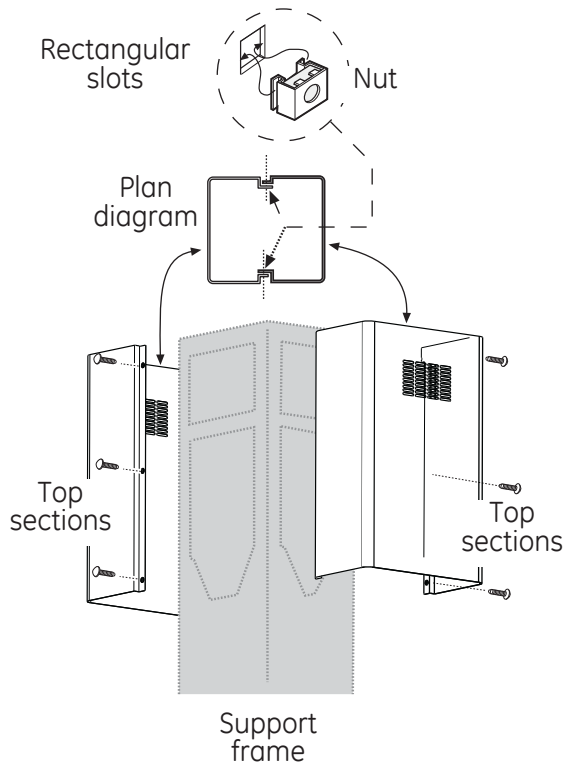
- Connect white leads to branch circuit white lead.
- Connect black leads to branch circuit black lead.
- Connect green/yellow leads to branch circuit green lead or bare ground lead.
- Secure all connections with wire nuts on each electrical connector.
- Push wires into junction box and replace cover. Be sure wires are not pinched.
- Secure J-Box cover with original screw.

Installation Instructions

INSTALLATION—VENTED TO THE OUTSIDE

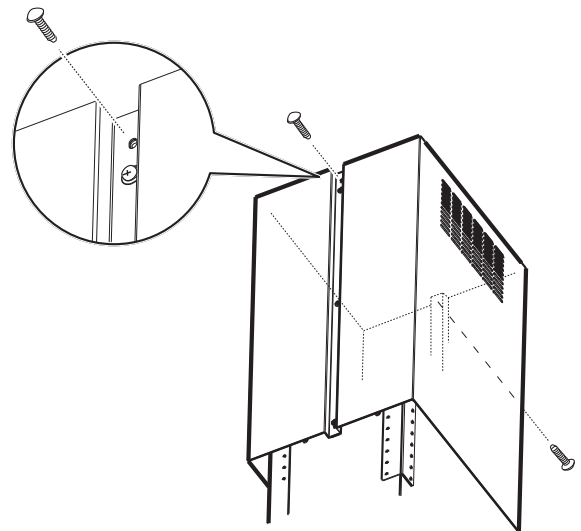
STEP 9 PREPARE THE DUCT COVERS

- Remove the plastic protective covering on all duct pieces.
- Install 3 cage nuts on each inside section of the top duct cover. The cage nuts fit into the rectangular slots, clips facing outward.
- Install 3 cage nuts on each side of the lower duct covers.



STEP 10 INSTALL UPPER DUCT COVER

- Place the tall duct covers onto the top of the hood. This section has venting holes on one end.
- NOTE:** If you are installing this hood for recirculating operation, place the duct covers onto the hood with the venting slots at the top. If the hood is vented to the outside, the holes should be positioned on the bottom.
- Secure the sides with 6 screws installed through the cage nuts.



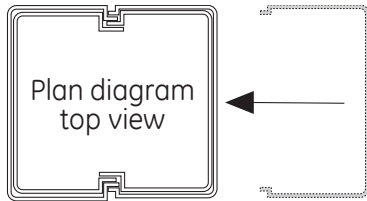
- Raise the assembled duct covers to the top, against the ceiling.
- Match mounting holes, one on each side. Install screws through the duct and into the support.

Installation Instructions

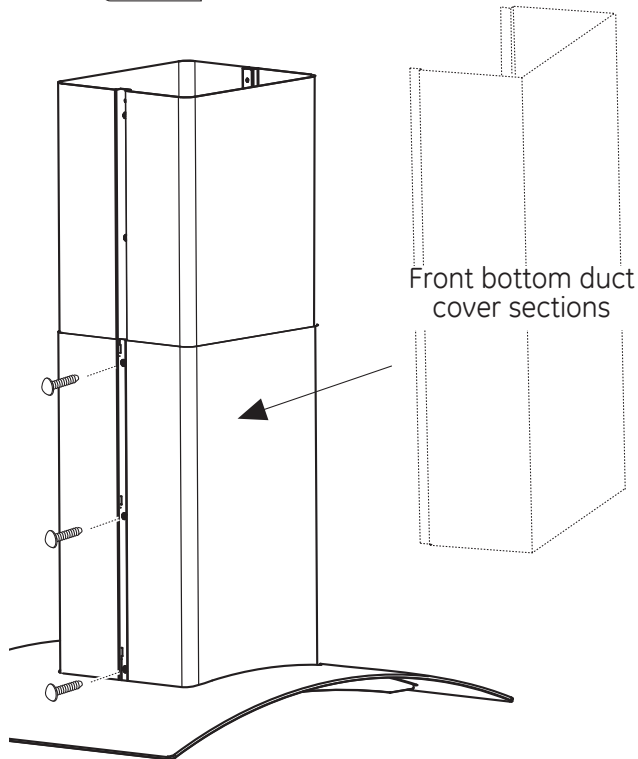
INSTALLATION—VENTED TO THE OUTSIDE

STEP 11 INSTALL LOWER DUCT COVER

Front bottom duct cover section
(snap into place and secure
with 6 screws – 3 per side)



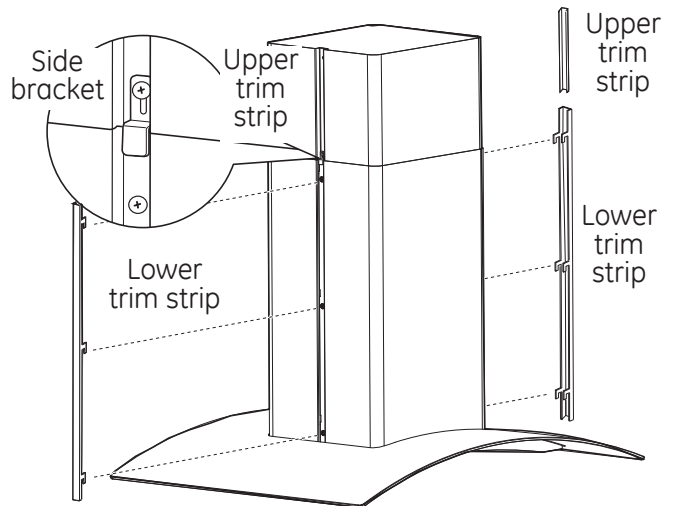
Plan diagram
top view



Front bottom duct
cover sections

- Place rear duct cover onto the hood.
- Place front duct cover onto the hood.
- Secure the duct covers with 6 screws.

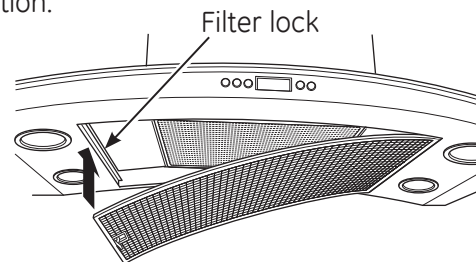
STEP 12 INSTALL DUCT COVER TRIM



- Install side brackets to secure the lower duct tightly against the upper duct.
- Hold lower trim strips (narrow pieces) with hooks facing down. Place the hooks inside the slots and slide downward.
- Select the correct size upper trim strips and press into place.

STEP 13 INSTALL METAL FILTER

IMPORTANT: Check to be sure that the main ON/OFF switch next to the motor is in the ON position.



- Tip the filter into the left or right side of the opening. Lift the filter to the opposite side and into the filter lock.
- To remove the filter, pull the filter lock downward.

STEP 14 FINALIZE INSTALLATION

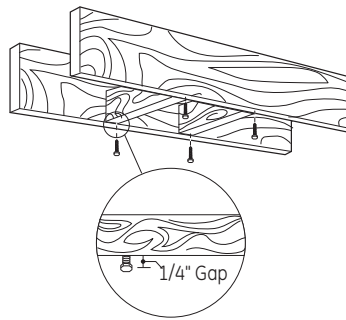
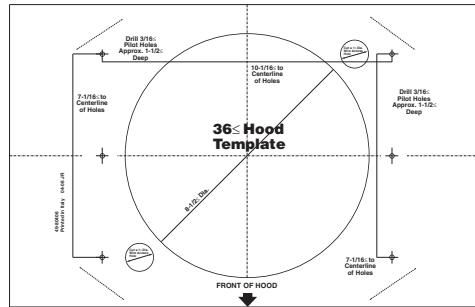
- Remove all tape and packing material.
- Refer to the Owner's Manual for operating instructions.

Installation Instructions

INSTALLATION—RECIRCULATING

STEP 1 MOUNT TEMPLATE

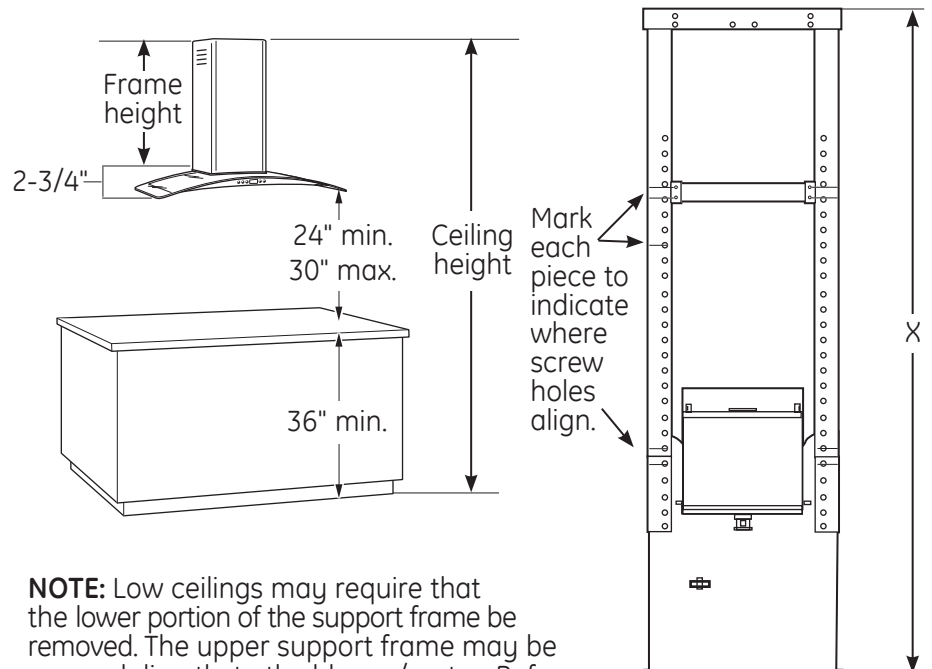
- Align the template with the marks on the ceiling and tape in place.
 - Be sure the template is oriented correctly with the front of the hood.
- Use a plumb bob to be sure the mounting holes will provide parallel alignment with the countertop below.
- Center punch all hole locations.
- Drill pilot holes in the 4 screw locations. Use a 3/16" bit and drill approximately 1-1/2" deep.
- Drive 4 hex head wood screws into the center of the ceiling joists and cross framing. Leave a 1/4" gap to allow the screw head to engage the keyhole slots on the support frames.



NOTE: Do not cut the duct opening shown on the template for this recirculating installation.

STEP 2 ADJUST FRAME HEIGHT

- Measure exact ceiling height.
- Find the exact frame height required on the chart on page 6.
- Place the support on a work surface. Remove 2 screws on each of the 4 sides of the frame to loosen the upper structure, lower structure and blower/motor.
- Adjust the height "X", according to the chart on page 6.
- Use a marker pen to indicate where screw holes should align in the assembled upper, lower and blower/motor pieces.



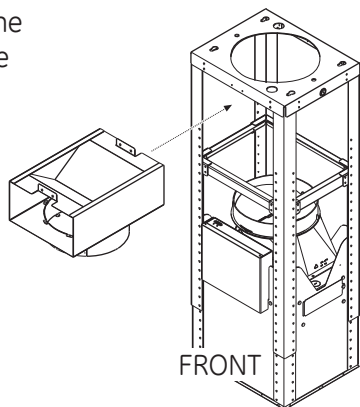
NOTE: Low ceilings may require that the lower portion of the support frame be removed. The upper support frame may be secured directly to the blower/motor. Refer to the chart on page 6 for your ceiling height and to be sure the duct cover trim piece will fit.

Installation Instructions

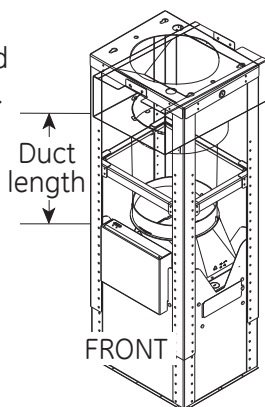
INSTALLATION—RECIRCULATING

STEP 3 | INSTALL AIR DEFLECTOR, CUT DUCT FOR RECIRCULATING OPERATION

- Temporarily, slide the air deflector into the support frame.

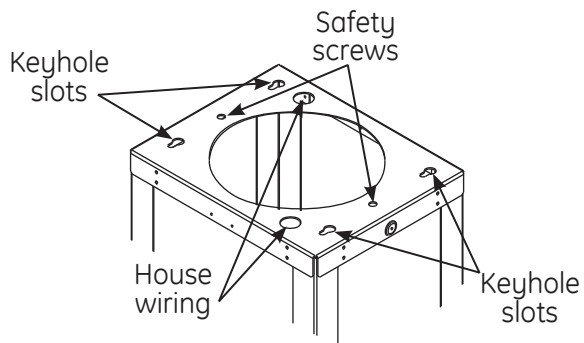
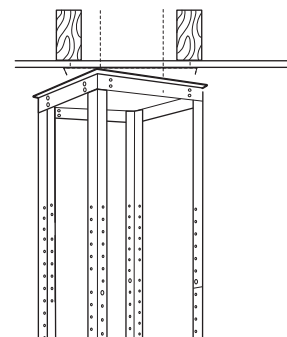


- Measure duct length between the deflector and over the exhaust opening.
- Cut duct piece to length and set aside.

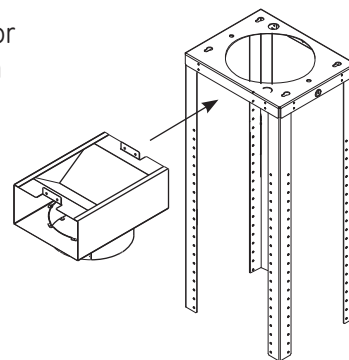


STEP 4 | INSTALL UPPER SUPPORT FRAME

- Raise the upper support toward the ceiling.
- Thread the house wiring through one of the large holes, preferably on the left side.
- Carefully engage the ceiling mounting screws to the keyhole slots in the top of the frame.
- Tighten the 4 mounting screws against the frame.
- Install 2 safety screws.



- Slide air deflector into the support frame.
- Secure the deflector to the support with 4 screws.
- Install the duct piece to the bottom of the deflector and seal the connection with duct tape.

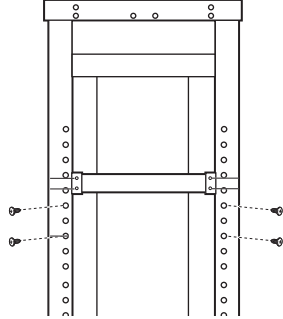


Installation Instructions

INSTALLATION—RECIRCULATING

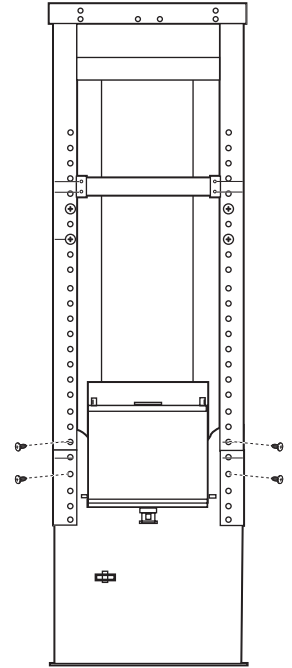
STEP 5 INSTALL LOWER STRUCTURE TO UPPER STRUCTURE

- Slide lower frame into the upper frame. Match the marked alignment holes.
- Secure the upper and lower frame with 16 screws, 4 on each side of the frame.



STEP 6 INSTALL BLOWER/MOTOR

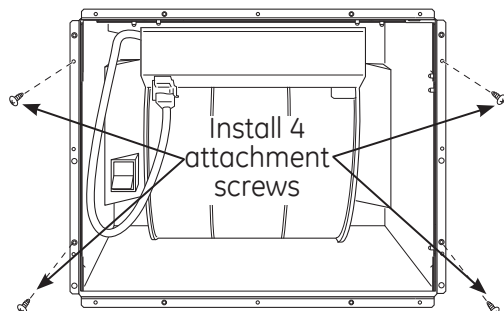
- Raise the blower/motor piece toward the assembled frame.
- Carefully raise the motor to the marked reference point while making sure the duct piece slips over the blower outlet flange.
- Secure the blower/motor to the frame using 16 screws, 4 on each side.
- Use tape to seal the duct connection.



Installation Instructions

INSTALLATION—RECIRCULATING

STEP 7 INSTALL HOOD ATTACHMENT SCREWS



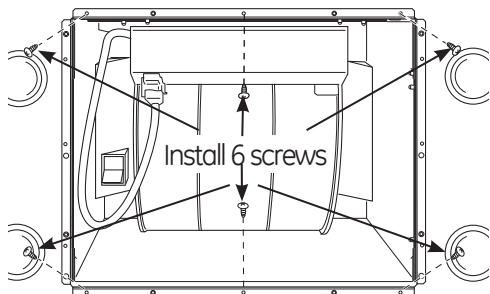
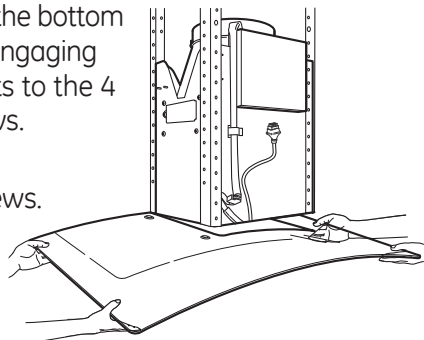
- Install 4 hood attachment screws in the bottom of the support as shown. Leave 1/4" gap between screw head and support flange.

STEP 8 MOUNT THE HOOD ONTO THE SUPPORT

⚠WARNING: Two people are required to lift and position the hood onto the support.

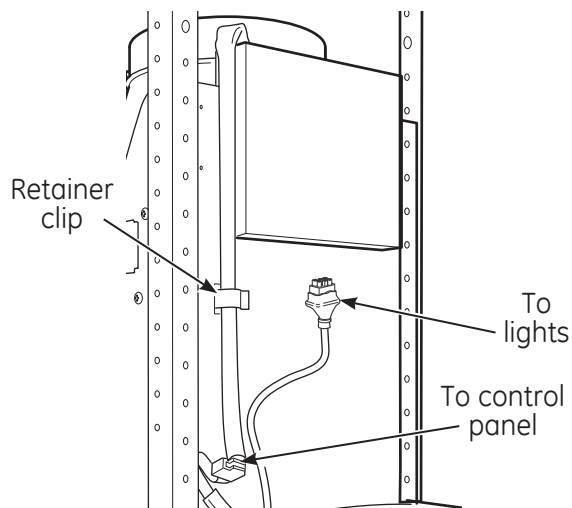
⚠AVERTISSEMENT : Il faut deux personnes pour lever et mettre en place a hotte sur le support de montage.

- Lift the hood to the bottom of the support, engaging the keyhole slots to the 4 mounting screws.
- Tighten the 4 mounting screws.



- Install 6 additional screws as shown.

STEP 9 CONNECT CABLES



- Join the two cable connectors at the front of the hood. Secure the cables behind the retainer clip.

Installation Instructions

INSTALLATION—RECIRCULATING

STEP 10 CONNECT ELECTRICAL

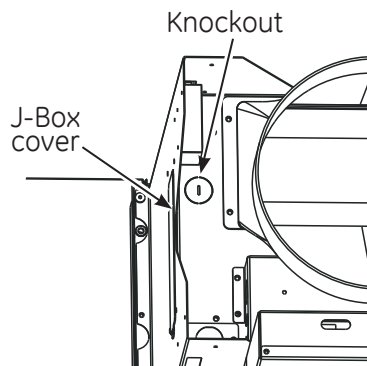
Verify that power is turned off at the source.

⚠WARNING: If house wiring is not 2-wire with a ground wire, a ground must be provided by the installer. When house wiring is aluminum, be sure to use U.L. approved anti-oxidant compound and aluminum-to-copper connectors.

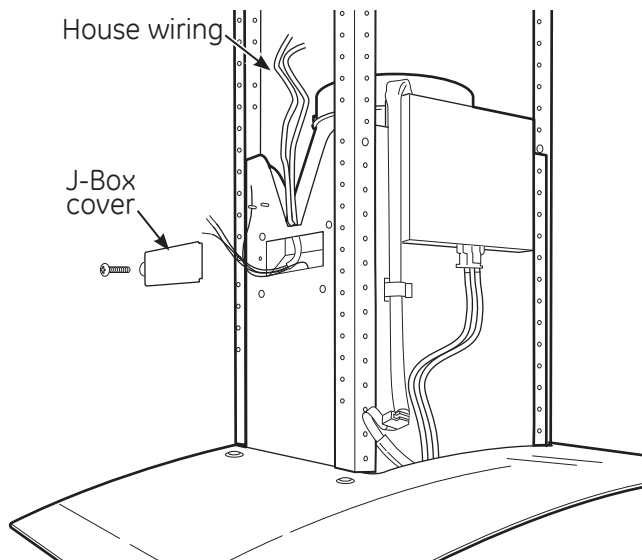
⚠AVERTISSEMENT :

Si la maison n'est pas câblée avec deux fils et un fil de terre, l'installateur doit installer un fil de terre. Quand les fils sont en aluminium, il faut prendre soin d'utiliser des connecteurs aluminium à cuivre avec une pâte antioxydante approuvée par U.L.

- Remove junction box cover and knockout on the left side.



- Secure the house wiring to the junction box with a strain relief.



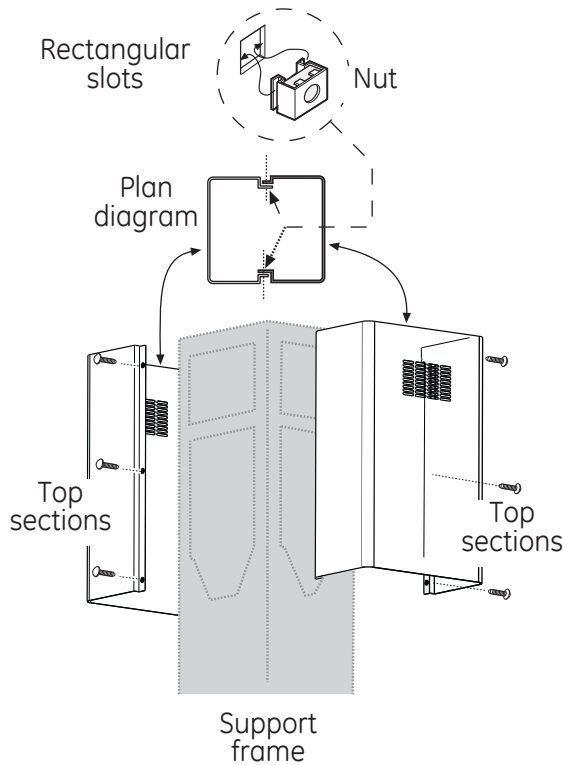
- Connect white leads to branch circuit white lead.
- Connect black leads to branch circuit black lead.
- Connect green/yellow leads to branch circuit green lead or bare ground lead.
- Secure all connections with wire nuts on each electrical connector.
- Push wires into junction box and replace cover. Be sure wires are not pinched.
- Secure J-Box cover with original screw.

Installation Instructions

INSTALLATION—RECIRCULATING

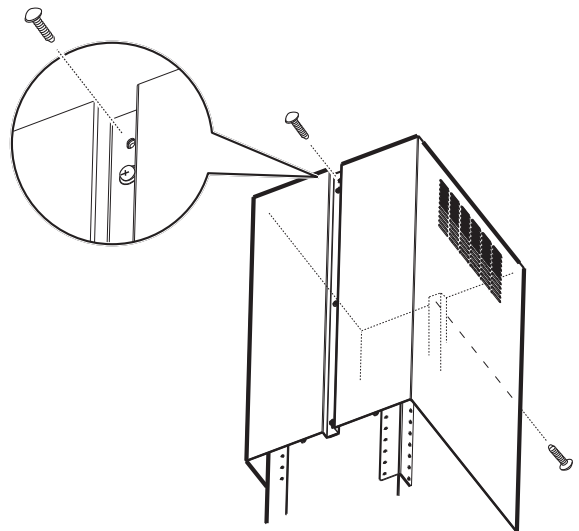
STEP 11 PREPARE THE DUCT COVERS

- Remove the plastic protective covering on all duct pieces.
- Install 3 cage nuts on each inside section of the top duct cover. The cage nuts fit into the rectangular slots, clips facing outward.
- Install 3 cage nuts on each side of the lower duct covers.



STEP 12 INSTALL UPPER DUCT COVER

- Place the tall duct covers onto the top of the hood. This section has venting holes on one end.
NOTE: If you are installing this hood for recirculating operation, place the duct covers onto the hood with the venting slots at the top. If the hood is vented to the outside, the holes should be positioned on the bottom.
- Secure the sides with 6 screws installed through the cage nuts.



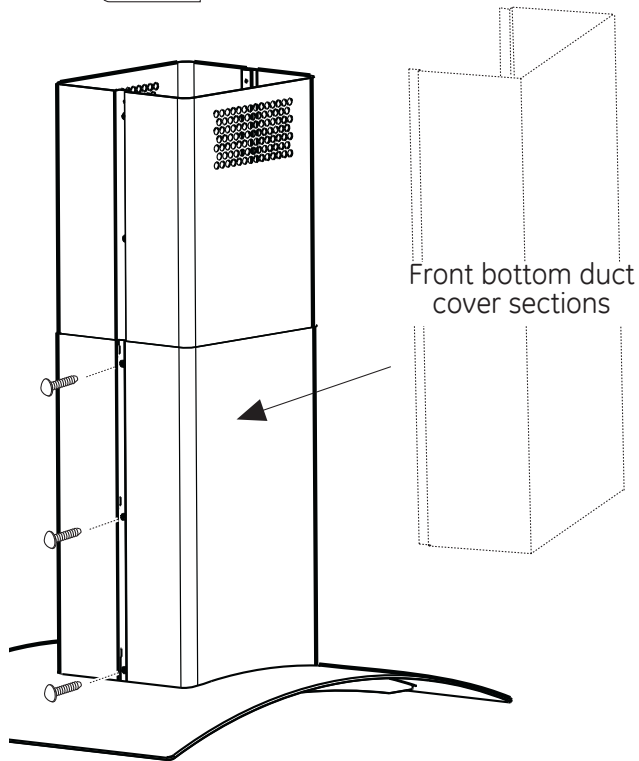
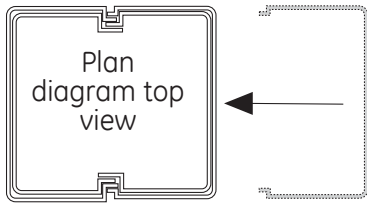
- Raise the assembled duct covers to the top, against the ceiling.
- Match mounting holes, one on each side. Install screws through the duct and into the support.

Installation Instructions

INSTALLATION—RECIRCULATING

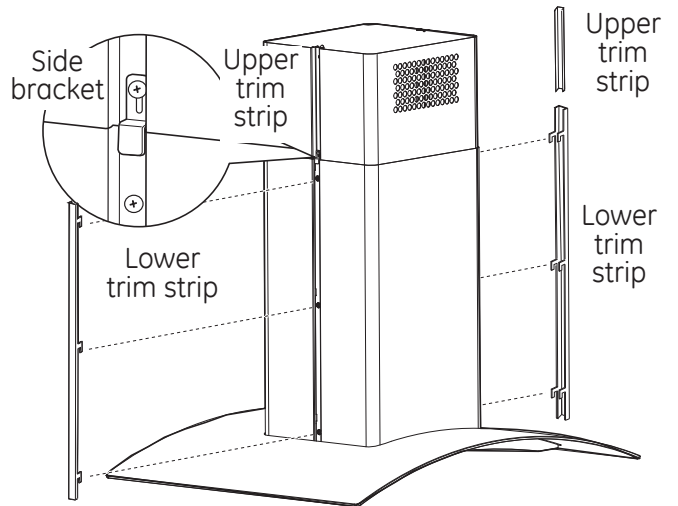
STEP 13 INSTALL LOWER DUCT COVER

Front bottom duct cover section
(snap into place and secure with
6 screws – 3 per side)



- Place rear duct cover onto the hood.
- Place front duct cover onto the hood.
- Secure the duct covers with 6 screws.

STEP 14 INSTALL DUCT COVER TRIM



- Install side brackets to secure the lower duct tightly against the upper duct.
- Hold lower trim strips (narrow pieces) with hooks facing down. Place the hooks inside the slots and slide downward.
- Select the correct size upper trim strips and press into place.

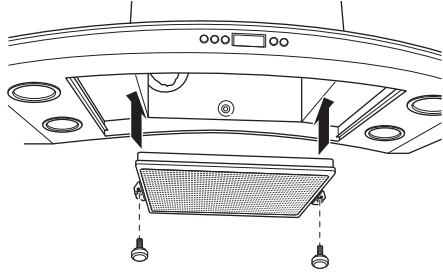
Installation Instructions

INSTALLATION—RECIRCULATING

STEP 15 INSTALL FILTERS

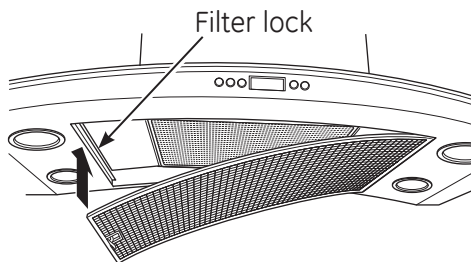
IMPORTANT: Check to be sure that the main ON/OFF switch next to the motor is in the ON position.

Charcoal filter



- Install the black charcoal filter into the center opening. Secure the filter with thumbscrews on each side.

Metal filter



- Tip the filter into the left or right side of the opening. Lift the filter to the opposite side and into the filter lock.
- To remove the filter, pull the filter lock downward.

STEP 16 FINALIZE INSTALLATION

- Remove all tape and packing material.
- Refer to the Owner's Manual for operating instructions.

Notes

Notes

Note: While performing installations described in this book, safety glasses or goggles should be worn.

For Monogram® local service in your area, call 1.800.444.1845.

Note: Product improvement is a continuing endeavor at General Electric. Therefore, materials, appearance and specifications are subject to change without notice.

49-80329-4

02-13 GE
Printed in Mexico



Monogram.®

GE Appliances & Lighting
Appliances
General Electric Company
Louisville, KY 40225
monogram.com