

# MONOGRAM 36" STAINLESS STEEL WALL-MOUNTED VENT HOOD

ZV750SPSS

## DIMENSIONS AND INSTALLATION INFORMATION (IN INCHES)

THIS VENT HOOD MAY BE INSTALLED ONTO A WALL AND VENTED TO THE OUTDOORS, OR IT CAN BE INSTALLED FOR RECIRCULATING OPERATION. ALL NECESSARY PARTS FOR RECIRCULATING OPERATION ARE SUPPLIED WITH THE HOOD. NO KITS REQUIRED.

A decorative duct cover is provided to cover the duct from the top of the hood to a 7'11" to 9'2" ceiling for vent mode (9'6" for recirculating mode).

## ACCESSORIES

An optional stainless steel duct cover is available for 9' to 10'3" for vent mode (10'8" for recirculating mode) ceiling heights. Order ZX7510SPSS optional duct cover at the same time as the vent hood and have on site before installation.

## DIMENSIONS AND CLEARANCES

The vent hood should be installed 24" min. and 30" max. above the cooking surface. The cooking surface should be at least 36" above the floor. Installation will be easier if the vent hood is installed before the range or cooktop/ countertop is installed.

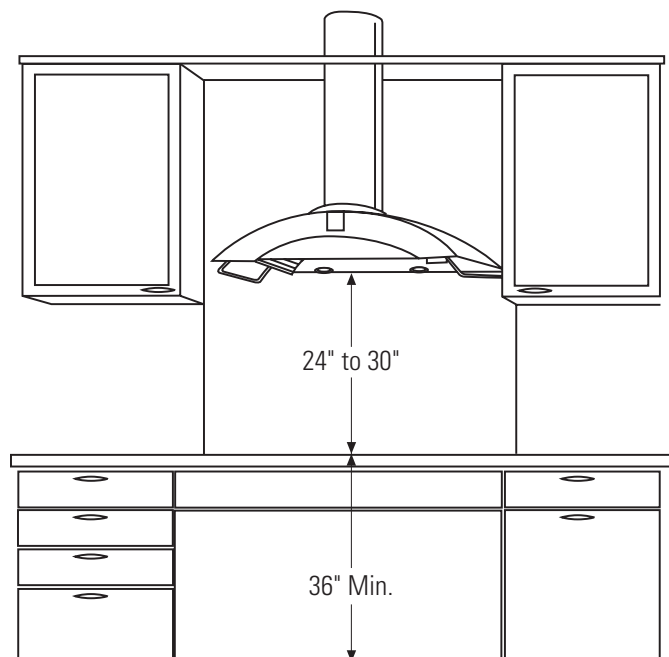
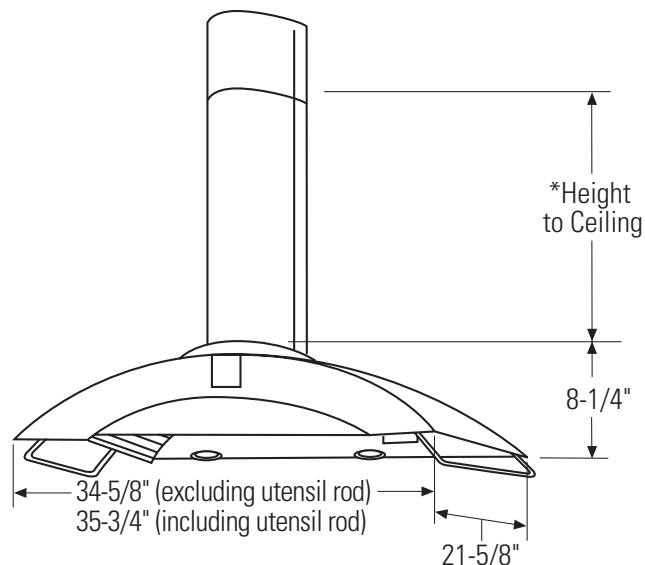
This hood can be installed over a Monogram electric or gas cooktop. It cannot be installed over a Monogram professional rangetop or range.

## INSTALLATION INFORMATION

Before installing, consult installation instructions packed with product or available on [monogram.com](http://monogram.com) for current dimensional data.

## NOTE

Installation height should be measured from the cooking surface to the lower edge of the hood.



The vent hood must be installed 24" min. and 30" max. above the cooking surface depending on the ceiling height.

**MONOGRAM**



# MONOGRAM 36" STAINLESS STEEL WALL-MOUNTED VENT HOOD

ZV750SPSS

## FEATURES AND BENEFITS

### STAINLESS STEEL DESIGN

Beautifully finished on all sides to create a look of elegance that enhances any kitchen

### 350-CFM, FOUR-SPEED FAN

Provides powerful ventilation to help keep the kitchen free of cooking fumes and odors

### FOUR HALOGEN LIGHTS

Offer six levels of intensity, from ambient to low/night illumination, to meet different needs

### THREE REMOVABLE FILTERS

Trap airborne grease particles and are dishwasher-safe. An indicator light signals when the filters need cleaning

### TIMER

Can be set for the fan to automatically shut-off after 5, 10 or 20 minutes of operation

### OPTIONAL RECIRCULATING KIT (INCLUDED)

Can be installed for internal ventilation

