

INSTALLATION INSTRUCTIONS

36" Vent Hood

ZV750, ZV755

Hotte Aspirante 36 po Instructions d'installation

La section française commence à la page 19

Campana de ventilación de 36" Instrucciones de instalación

La sección en español empieza en la página 37

Safety Information

READ AND SAVE THESE INSTRUCTIONS

BEFORE YOU BEGIN

Read these instructions completely and carefully.

■ **IMPORTANT** — Save these instructions for local inspector's use.

■ **IMPORTANT** — Observe all governing codes and ordinances.

■ **Note to Installer** — Be sure to leave these instructions with the Consumer.

■ **Note to Consumer** — Keep these instructions with your Owner's Manual for future reference.

■ **Skill Level** — Installation of this appliance requires basic mechanical and electrical skills.

■ **Completion Time** — 1 to 3 hours.

■ Proper installation is the responsibility of the installer. Product failure due to improper installation is not covered under the warranty. See Owner's Manual for warranty information.

For Monogram local service in your area, call 1.800.444.1845.

For Monogram service in Canada, call 1.800.561.3344.

For Monogram Parts and Accessories, call 1.800.626.2002.

▲ CAUTION Due to the weight and size of these vent hoods and to reduce the risk of personal injury or damage to the product, **TWO PEOPLE ARE REQUIRED FOR PROPER INSTALLATION.**

▲ WARNING To reduce the risk of fire or electrical shock, do not use this range hood with any external solid-state speed control device. Any such alteration from original factory wiring could result in damage to the unit and/or create an electrical safety hazard.

TO REDUCE THE RISK OF FIRE, USE ONLY METAL DUCTWORK.

▲ WARNING **TO REDUCE THE RISK OF FIRE, ELECTRICAL SHOCK OR INJURY TO PERSONS, OBSERVE THE FOLLOWING:**

A. Use this unit only in the manner intended by the manufacturer. If you have any questions, contact the manufacturer.

B. Before servicing or cleaning the unit, switch the power off at the service panel and lock the service disconnecting means to prevent the power from being switched on accidentally. When the service disconnecting means cannot be locked, securely fasten a prominent warning device, such as a tag, to the service panel.

▲ CAUTION **FOR GENERAL VENTILATING USE ONLY. DO NOT USE TO EXHAUST HAZARDOUS MATERIALS, EXPLOSIVE MATERIALS OR VAPORS.**

▲ WARNING **TO REDUCE THE RISK OF FIRE, ELECTRICAL SHOCK OR INJURY TO PERSONS, OBSERVE THE FOLLOWING:**

- Installation work and electrical wiring must be done by qualified person(s) in accordance with all applicable codes and standards, including fire-rated construction.
- Sufficient air is needed for proper combustion and exhausting of gases through the flue (chimney) of fuel burning equipment to prevent back-drafting. Follow the heating equipment manufacturer's guidelines and safety standards, such as those published by the National Fire Protection Association (NFPA), the American Society for Heating, Refrigeration and Air Conditioning Engineers (ASHRAE) and the local code authorities. When applicable, install any makeup (replacement) air system in accordance with local building code requirements. Visit GEAppliances.com for available makeup air solutions.
- When cutting or drilling into walls or ceilings, do not damage electrical wiring and other hidden utilities.
- Ducted systems must always be vented to the outdoors.
- Local codes vary. Installation of electrical connections and grounding must comply with applicable codes. In the absence of local codes, the vent should be installed in accordance with National Electrical Code ANSI/NFPA 70-1990 or latest edition.

▲ CAUTION To reduce risk of fire and to properly exhaust air, be sure to duct air outside—do not vent exhaust air into spaces within walls or ceilings or into attics, crawl spaces or garages.

Design Information

CONTENTS

Design Information

Models Available	3
Product Dimensions	3

Advance Planning

Ductwork Planning	4
Wall Framing for Adequate Support	4
Advance Planning	4

Installation Preparation

Duct Fittings	5
Power Supply	6
Tools and Materials Required	6
Remove the Packaging	7
Check Installation Hardware	7
Determine Installation Height	8

Installation Instructions

Installation – Vented to the Outside	9–13
Step 1, Install Framing for Hood Support	9
Step 2, Install Mounting Brackets	10

Step 3, Install the Hood	10
Step 4, Install Duct Bracket	11
Step 5, Connect Ductwork	12
Step 6, Connect Electrical	12
Step 7, Install Duct Cover and Utensil Rods	13
Step 8, Install Filters	13
Step 9, Finalize Installation	13
Installation – Recirculating	14–18
Step 1, Install Framing for Hood Support	14
Step 2, Install Mounting Brackets	15
Step 3, Install the Hood	15
Step 4, Assemble Deflector and Connector	16
Step 5, Size Duct Piece	16
Step 6, Install Air Deflector Assembly	16
Step 7, Connect Electrical	17
Step 8, Install Duct Cover and Utensil Rods	17
Step 9, Install Filters	18
Step 10, Finalize Installation	18

MODELS AVAILABLE

Model ZV750

Model ZV755

These hoods may be installed to vent to the outdoors, or they may be installed for recirculating operation. All necessary parts for recirculating operation are supplied with the hood. No kits required.

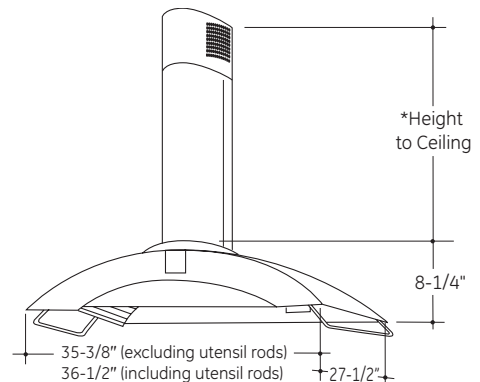
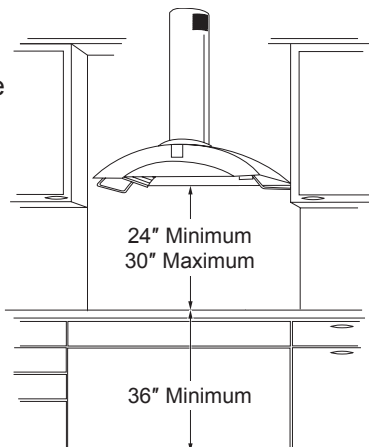
- These vent hoods can be installed over any 30" or 36" Monogram electric or gas cooktop except Monogram Professional cooktops or ranges larger than 30".

- Reversible duct covers accommodate recirculating operation.
- The telescopic duct covers conceal the ductwork running from the top of the hood to the ceiling.
- The supplied duct cover is sized to reach ceiling heights up to 9' or more, depending on the installation. See the table on page 8.

PRODUCT DIMENSIONS AND CLEARANCES

The vent hood must be installed 24" minimum, and 30" maximum above the cooking surface.

NOTE: Installation height should be measured from the cooking surface to the lowest part of the hood.



ZX7510SPSS Duct Cover Accessory

This accessory is available for installations with ceiling heights above 9' to 10' and higher. See the table on page 8. The duct cover accessory must be on-site with the hood at the time of installation.

Advance Planning

DUCTWORK PLANNING

- This hood is designed to be vented vertically through the ceiling. Use locally supplied elbows to vent horizontally through the rear wall.
- Determine the exact location of the vent hood.
- Plan the route for venting exhaust to the outdoors.
- Use the shortest and straightest duct route possible. For satisfactory performance, duct run should not exceed 10' equivalent length for any duct configurations.
- Refer to "Duct Fittings" chart to compute the maximum permissible length for duct runs to the outdoors.
- Use rigid metal ductwork only.
- This vent hood must use a 6" round duct. The 6" round duct can transition to 3-1/4" x 10" or 3-1/4" x 12".
- Install the house duct to run horizontally between ceiling joists or straight up through the roof.
- Install a wall or roof cap with damper at the exterior opening. Order the wall or roof cap and any transition and length of duct needed in advance.
- When applicable, install any makeup (replacement) air system in accordance with local building code requirements. Visit GEAppliances.com for available makeup air solutions.

▲WARNING TO REDUCE THE RISK OF FIRE,
USE ONLY RIGID METAL DUCTWORK.

WALL FRAMING FOR ADEQUATE SUPPORT

- This vent hood is heavy. Adequate structural support must be provided. The hood must be secured to vertical studs in the wall. See page 9 or 14.
- We strongly recommend that the vent hood with duct cover be on site before final framing and wall finishing. This will also help to accurately locate the ductwork and electrical service.
- Installation will be easier if the vent hood is installed before the cooktop and countertop are installed.

ADVANCE PLANNING

A duct cover accessory may be required for your hood installation depending on ceiling height.

Installation Preparation

DUCT FITTINGS

This Hood Must Use an 6" Round Duct. It Can Transition to 3-1/4" x 10" or 3-1/4" x 12" Duct.

Use this chart to compute maximum permissible lengths for duct runs to outdoors.

NOTE: Do not exceed maximum permissible equivalent lengths!





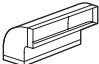
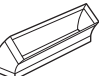
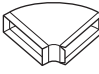
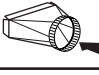

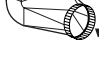
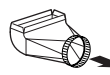


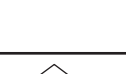

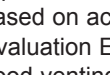

Maximum duct length: 100 foot for range hoods.

Flexible ducting:

If flexible metal ducting is used, all the equivalent feet values in the table should be doubled. The flexible metal duct should be straight and smooth and extended as much as possible.

DO NOT use flexible plastic ducting.

NOTE: Any home ventilation system, such as a ventilation hood, may interrupt the proper flow of combustion air and exhaust required by fireplaces, gas furnaces, gas water heaters and other naturally vented systems. To minimize the chance of interruption of such naturally vented systems, follow the heating equipment manufacturer's guidelines and safety standards such as those published by NFPA and ASHRAE. When applicable, install any makeup (replacement) air system in accordance with local building code requirements. Visit GEAppliances.com for available makeup air solutions.

Duct Piece	Dimensions	Equivalent Length*	Quantity Used	Total Equivalent Length
	Round, straight	1 ft. (per foot length)		
	3-1/4" x 10" straight	1 ft. (per foot length)		
	90° elbow	12 ft.		
	45° elbow	7 ft.		
	3-1/4" x 10" 90° elbow	14 ft.		
	3-1/4" x 12" 90° elbow	10 ft.		
	3-1/4" x 10" 45° elbow	8 ft.		
	3-1/4" x 12" 45° elbow	6 ft.		
	3-1/4" x 10" 90° flat elbow	33 ft.		
	3-1/4" x 12" 90° flat elbow	24 ft.		
	6" round to rectangular	2 ft.		
	Rectangular to 8" round	2 ft.		
	3-1/4" x 10" 3-1/4" x 12" 6" round to rectangular transition 90° elbow	4 ft. 4 ft.		
	3-1/4" x 10" 3-1/4" x 12" Rectangular to 6" round transition 90° elbow	4 ft. 4 ft.		
	Round wall cap with damper	24 ft.		
	3-1/4" x 10" 3-1/4" x 12" Rectangular wall cap with damper	24 ft. 18 ft.		
	Round roof cap	33 ft.		

*Actual length of straight duct plus duct fitting equivalent. Equivalent length of duct pieces are based on actual tests conducted by GE Appliances Evaluation Engineering and reflect requirements for good venting performance with any ventilation hood.

Total Duct Run _____

Installation Preparation

POWER SUPPLY

IMPORTANT – (Please read carefully)

▲WARNING FOR PERSONAL SAFETY, THIS APPLIANCE MUST BE PROPERLY GROUNDED.

Remove house fuse or open circuit breaker before beginning installation.

Do not use an extension cord or adapter plug with this appliance. Follow National Electrical Code or prevailing local codes and ordinances.

Electrical supply

This vent hood must be supplied with 120V, 60Hz, and connected to an individual, properly grounded branch circuit, and protected by a 15- or 20-amp circuit breaker or time-delay fuse.

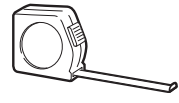
- Wiring must be 2-wire with ground.
- If the electrical supply does not meet the above requirements, call a licensed electrician before proceeding.
- Route house wiring as close to the installation location as possible. Wiring can enter from the ceiling or rear wall. Route additional length from the ceiling or wall to reach the junction box.
- Connect the wiring to the house wiring in accordance with local codes.

Grounding instructions

The grounding conductor must be connected to a ground metal, permanent wiring system, or an equipment-grounding terminal or lead on the hood.

▲WARNING The improper connection of the equipment-grounding conductor can result in a risk of electric shock. Check with a qualified electrician or service representative if you are in doubt whether the appliance is properly grounded.

TOOLS AND MATERIALS REQUIRED (Not Supplied)



Pencil and tape measure



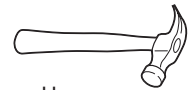
Safety glasses



Gloves



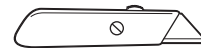
Spirit level



Hammer



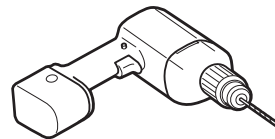
Phillips screwdriver



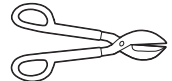
Utility Knife



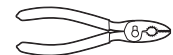
Flashlight



Electric drill with 1/8" bits, #2 Phillips and flat head



Metal snips



Pliers



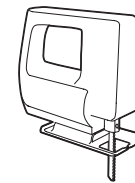
Stepladder



Masking tape



Wire cutter/stripper



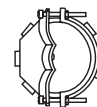
Saber saw or Key Hole saw



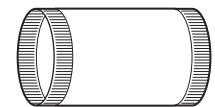
UL-listed wire nuts



Aluminized duct tape



Strain relief for junction box



6" round metal duct, length to suit installation



120V 60Hz. 15- or 20-Amp, 2-wire with ground, properly grounded branch circuit

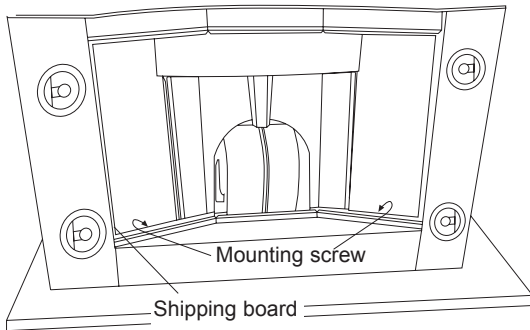
Installation Preparation

REMOVE THE PACKAGING

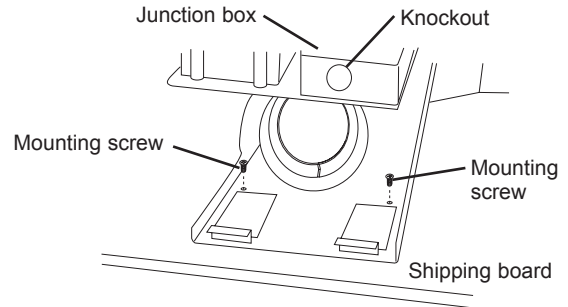
CAUTION Wear gloves to protect against sharp edges.

The vent hood is shipped secured to a shipping board with 4 screws.

- Remove the duct cover, parts box and foam packaging.
- Lift the hood out of the box.
- Remove and properly discard the plastic wrapping.
- Remove metal grease filters and side bar packaging.



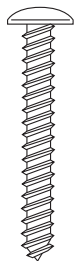
- To remove the shipping board, locate and remove 2 screws at the top of the assembly and 2 screws inside the hood behind the filter guides on the left and right sides. Discard the shipping board.



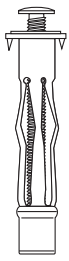
- Remove junction box cover.
- Remove knockout from junction box.
- Install strain relief onto junction box.

CHECK INSTALLATION HARDWARE

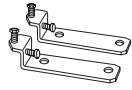
Locate the hardware accessory box packed with the hood and check contents.



10 wood screws



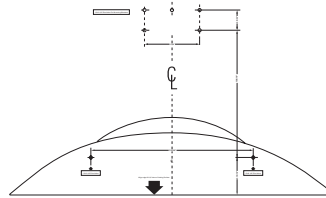
10 metal wall fasteners



2 Mounting brackets

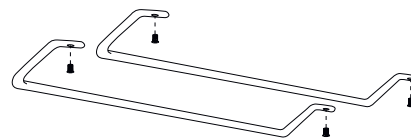
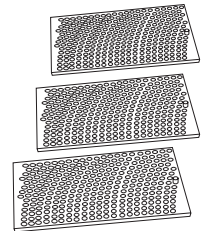


2 Large flat washers

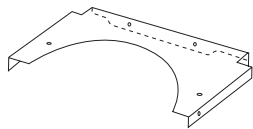


Wall-mount template

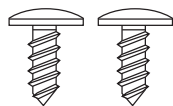
3 Stainless steel grease filters



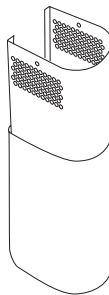
2 Utensil rods with 4 machine screws



Duct cover bracket (not required for recirculating operation)



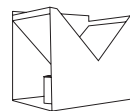
2 Phillips-head duct cover screws



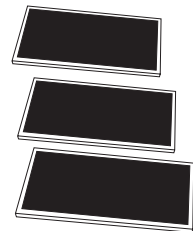
Decorative duct covers

NOTE: Additional tools, materials and hardware are required to construct your wall framing support.

Additional Parts for Recirculation Operation



Air deflector with upper duct connector

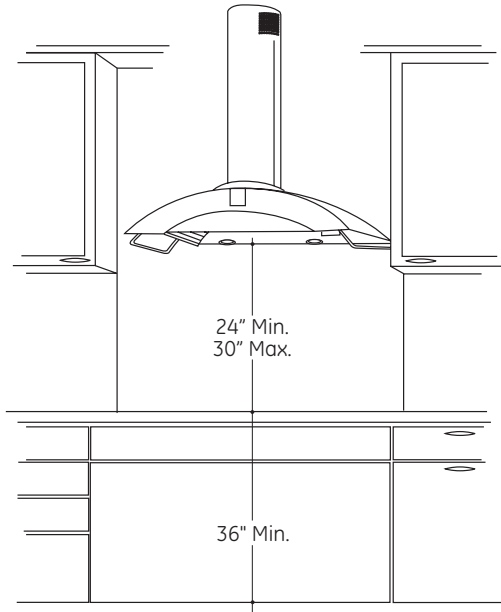


3 charcoal filters

Installation Preparation

DETERMINE INSTALLATION HEIGHT

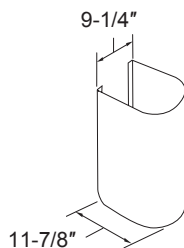
- Telescopic duct covers are provided to conceal the ductwork running to the ceiling.
- This hood can be installed for vented or recirculating operation. All necessary parts are shipped with the hood.



NOTE: Installation height should be measured from the cooking surface to the bottom of the hood.

The vent hood must be installed 24" min. and 30" max. above the cooking surface. The hood installation height, from the cooking surface to the bottom of the hood, depends upon ceiling height and duct cover limitations.

DUCT COVER DIMENSIONS



ZX7510SPSS Duct Cover Accessory

This accessory is available for installation with ceiling heights above 9 feet to 10 feet and higher. This accessory consists of one 31-1/2" lower duct cover.

ZV750/ZV755 Installation Heights

ZV750/ZV755 Installation Heights			
Upper (Inner) Duct Cover (B)			24.25"
Lower (Outer) Duct Cover (A)			18.5"
Accessory Lower (Outer) Duct Cover (A)			31.5"
Actual Ceiling Height	*VENTED Installation Height	*RECIRCULATING Installation Height	
7' 11"	24" to 28"	24" to 28"	SUPPLIED
8' 0"	24" to 29"	24" to 29"	
8' 1"	24" to 30"	24" to 30"	
8' 2"	24" to 30"	24" to 30"	
8' 3"	24" to 30"	24" to 30"	
8' 4"	24" to 30"	24" to 30"	
8' 5"	24" to 30"	24" to 30"	
8' 6"	24" to 30"	24" to 30"	
8' 7"	24" to 30"	24" to 30"	
8' 8"	24" to 30"	24" to 30"	
8' 9"	25" to 30"	24" to 30"	
8' 10"	26" to 30"	24" to 30"	
8' 11"	27" to 30"	24" to 30"	
9' 0"	28" to 30"	2" to 30"	
9' 1"	29" to 30"	25" to 30"	
9' 2"	30"	26" to 30"	
9' 3"		27" to 30"	
9' 4"		28" to 30"	
9' 5"		29" to 30"	
9' 6"		30"	
9' 0"	24" to 30"	24" to 28"	ZX7510SPSS (Need Accessory Lower Duct Cover 31.5")
9' 1"	24" to 30"	24" to 29"	
9' 2"	24" to 30"	24" to 30"	
9' 3"	24" to 30"	24" to 30"	
9' 4"	24" to 30"	24" to 30"	
9' 5"	24" to 30"	24" to 30"	
9' 6"	24" to 30"	24" to 30"	
9' 7"	24" to 30"	24" to 30"	
9' 8"	24" to 30"	24" to 30"	
9' 9"	24" to 30"	24" to 30"	
9' 10"	25" to 30"	24" to 30"	
9' 11"	26" to 30"	24" to 30"	
10' 0"	27" to 30"	24" to 30"	
10' 1"	28" to 30"	24" to 30"	
10' 2"	29" to 30"	24" to 30"	
10' 3"	30"	25" to 30"	
10' 4"		26" to 30"	
10' 5"		27" to 30"	
10' 6"		28" to 30"	
10' 7"		29" to 30"	
10' 8"		30"	

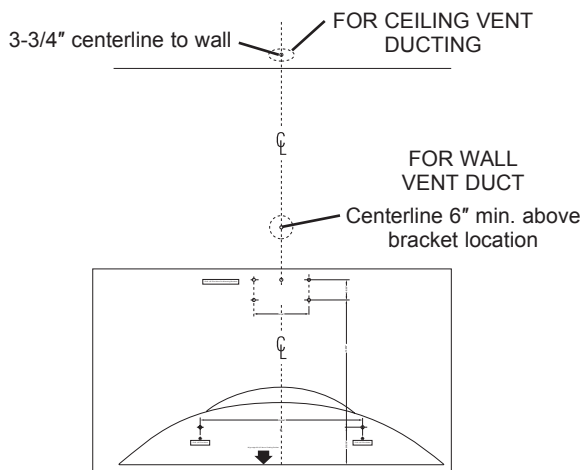
*Based on 36" countertop height.

Installation Instructions

INSTALLATION – VENTED TO THE OUTSIDE

DUCTWORK, WIRING LOCATIONS

- Determine the exact location of the vent hood.
- Locate the template packed with the literature.
 - Measure 36" from the floor to the top of the cooking surface. Add hood installation height determined on page 8. Mark that location.
 - Use a level to draw a straight pencil line on the wall.
 - Tape the template in position along the penciled line. CHECK TO BE SURE THE TEMPLATE IS LEVEL.



Ceiling ducting:

If ductwork will vent straight up to the ceiling:

- Use a level to draw a line straight up, from the centerline on the template to the ceiling.
- Measure 3-3/4" from the back wall to the centerline of an 6-1/2" hole on the ceiling.

NOTE: If drywall is not present, add drywall thickness to the 3-3/4" dimension.

Wall Ducting:

If ductwork will vent to the rear:

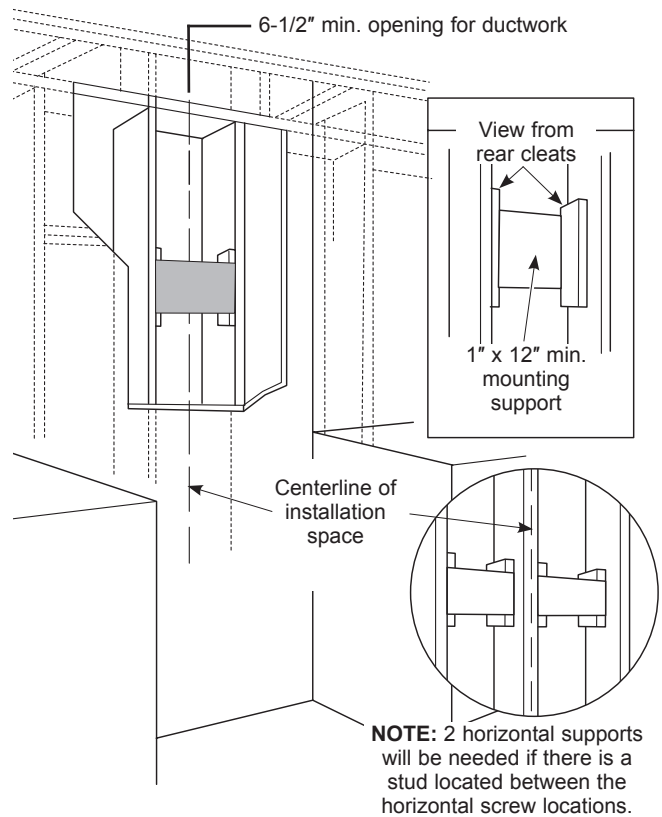
- Use a level to draw a line straight up from the centerline on the template.
- Measure at least 6" above the bracket location shown on the template to the centerline of a 6-1/2"-dia. duct hole. (Hole may be elongated for duct elbow.)

HOUSE WIRING LOCATION:

- The junction box is located on the top left side of the hood.
- Wiring can enter from the back wall or ceiling above the top bracket location. Route additional wiring length to reach the junction box.

1 INSTALL FRAMING FOR HOOD SUPPORT

IMPORTANT: The vent hood must be secured to rear support framing or a wall stud. Framing must be capable of supporting 100 lbs.



If drywall is present, mark the screw hole locations for the top mounting brackets. Remove the template.

- Cut away enough drywall to expose 2 vertical studs at the bracket location indicated on the template.
- Install a horizontal support at least 1" x 12" between two wall studs at the mounting screw location. **The horizontal support must be flush with the room side of the studs.** Use cleats behind both sides of the support to secure to wall studs.

IMPORTANT: Reinstall drywall for an even mounting surface.

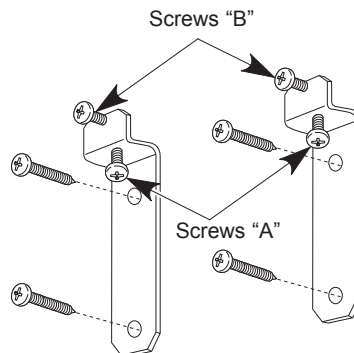
Installation Instructions

INSTALLATION – VENTED TO THE OUTSIDE

2 INSTALL MOUNTING BRACKETS

The vent hood must be secured to rear support framing or a wall stud.

- With the template taped in place, use a punch to mark all mounting screw locations.
- Drill 1/8" pilot holes at the 6 punched locations.
- Remove the template.
- Enlarge holes that did not enter studs to 3/8" and tap anchors for wall fasteners into the holes.
 - Drive screws into the fasteners to allow anchors to expand against the wall material. Remove the screws for final installation.
- Secure the mounting brackets to the wall studs with wood screws provided.

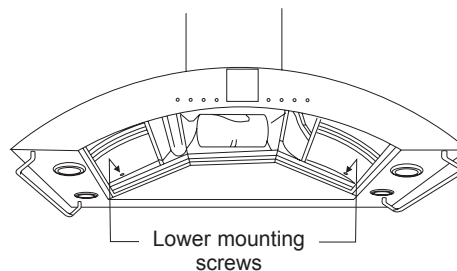
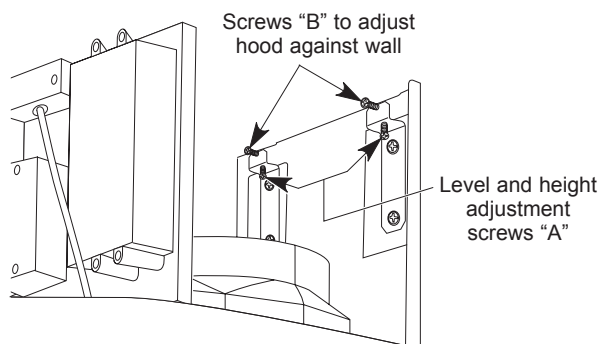


NOTE: Screws "A" and "B" are preassembled onto the brackets. Do not remove these screws.

3 INSTALL THE HOOD

Place the hood on the brackets and slide left to right to align with rectangular slots at the top.

- Adjust the installation height by tightening or loosening the screws "A" at the bottom of the brackets.
- Align the hood lower mounting holes with pilot holes in the wall.
- Using two large washers (supplied), install wood screws or wall-fastener screws, loosely, into lower mounting holes. Do not tighten.
- Level the hood by tightening or loosening the screws "A" located on the bottom mounting brackets.
- Tighten the lower mounting screws.
- Tighten screws "B" located at the top of the mounting bracket against the hood to adjust position. **Do not overtighten screws.**



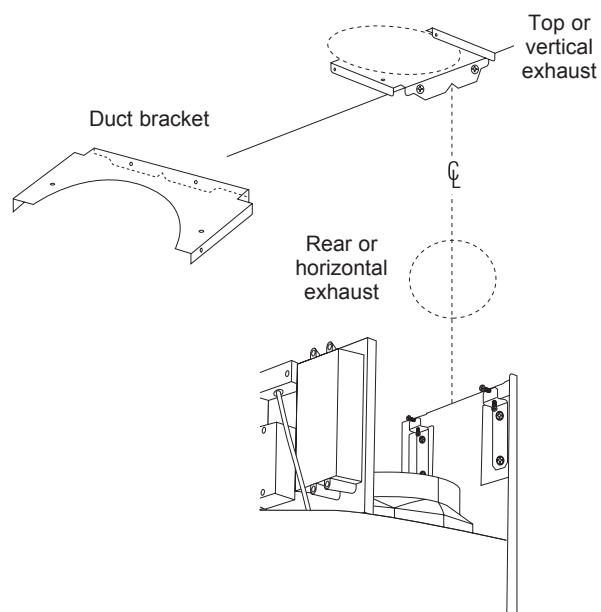
Installation Instructions

INSTALLATION – VENTED TO THE OUTSIDE

4 INSTALL DUCT BRACKET

VENTING TO THE REAR (HORIZONTAL EXHAUST) OR STRAIGHT UP TOP (VERTICAL EXHAUST)

- Temporarily install the 2 small screws into the sides of the duct bracket. Remove the screws. This will ensure ease of final installation.
- Position the upper duct bracket against the wall and ceiling, aligned with CL pencil mark and CL on the bracket.
- Mark the 4 screw locations of the bracket.
- Remove the bracket.
- Drill 1/8" pilot holes in marked bracket location.
- If pilot holes do not enter studs, enlarge the holes 3/8" and install wall-fastener anchors. Drive screws into the fasteners to allow anchors to expand against the wall material. Remove the screws.
- Secure the bracket to the ceiling and wall with wood screws and/or wall-fastener screws.

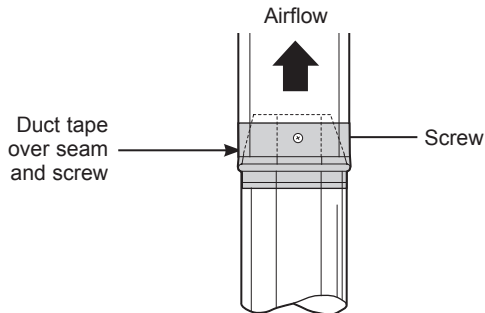


Installation Instructions

INSTALLATION – VENTED TO THE OUTSIDE

5 CONNECT DUCTWORK

- Remove shipping tape from the damper.
- Install ductwork, making connections in the direction of airflow as illustrated.
- Push duct over the exhaust outlet and damper.



CAUTION Do not use sheet metal screws at the exhaust outlet connection. Doing so will prevent proper damper operation. Seal connection with tape only.

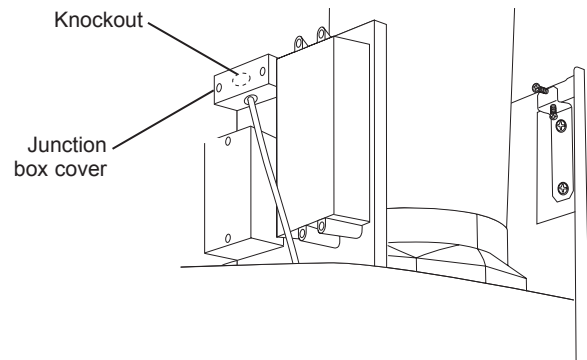
- Secure joints in ductwork with sheet metal screws.
- Wrap all duct joints and the flange connections with aluminized duct tape for an airtight seal.

6 CONNECT ELECTRICAL

Verify that power is turned off at the source.

WARNING If house wiring is not 2-wire with a ground wire, a ground must be provided by the installer. When house wiring is aluminum, be sure to use U.L.-approved antioxidant compound and aluminum-to-copper connectors.

- Remove the junction box cover and the selected knockout.



- Secure the house wiring to the junction box with a strain relief (not provided).
- Connect the white lead to the branch circuit white lead.
- Connect the black lead to the branch circuit black lead.
- Connect the green/yellow lead to the branch circuit green lead or bare ground lead.
- Secure all the connections with wire nuts on each electrical connector.
- Push the wires into the junction box and replace the cover. Be sure the wires are not pinched.
- Secure the junction box cover with the 2 original screws.

Installation Instructions

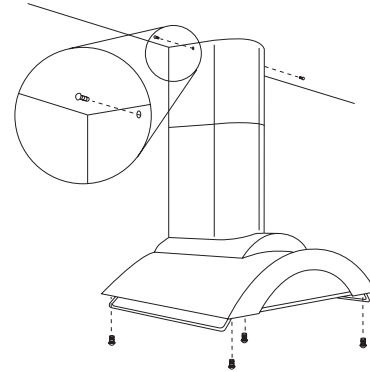
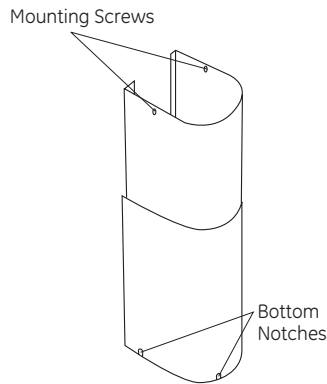
INSTALLATION – VENTED TO THE OUTSIDE

7 INSTALL DUCT COVER AND UTENSIL RODS

Assemble the duct covers as shown.

For this vented installation, place upper duct piece inside the lower duct piece. The inner duct cover venting holes should be positioned toward the bottom end and should not be visible.

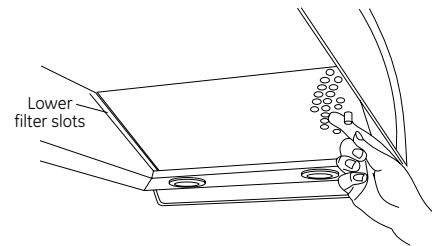
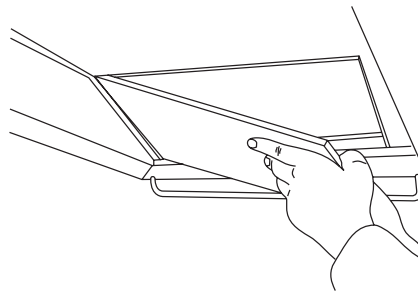
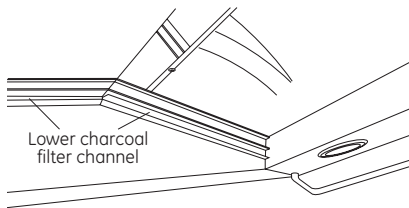
- Insert the assembled duct covers into the impression on the top of the hood.
- Extend the inner duct cover upwards to meet the ceiling and bracket. (The vent holes should not be visible in this installation.)
- Secure the duct cover to the bracket with the 2 small duct cover screws provided.
- Install the side utensil rods as shown with screws provided.



Install optional accessory ZX7510SPSS
(if needed to reach taller ceiling heights)

- Separate the supplied duct cover into pieces. Discard the lower (outer) section.
- Slide the new ZX7510SPSS duct cover onto the original upper section. Be sure that the longer section is outside the shorter original section. The notches will be at the bottom and the screw holes at the top as illustrated.
- Secure the duct cover to the bracket with the 2 small duct cover screws provided.

8 INSTALL FILTERS



- Remove protective film on filters.
- Tip the filter into the lower channel at the rear of the opening, push back, lift and pull the knob forward until the filter rests on the channel.
- Install all three metal grease filters.
- Turn power on. If the filter light on the control panel glows, adjust the right-side filter in the channel to engage the switch arm.

9 FINALIZE INSTALLATION

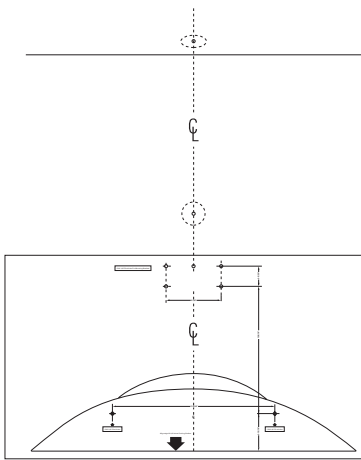
- Remove protective film covering the control panel on the front face of the hood and any remaining packaging materials.
- Make sure the filters are seated properly when installed and the filter light is not on.
- Be sure fan and lights operate correctly. Refer to the Owner's Manual for operating instructions and Problem Solver.

Installation Instructions

INSTALLATION – RECIRCULATING

DUCTWORK, WIRING LOCATIONS

- Determine the exact location of the vent hood.
- Locate the template packed with the literature.
- Measure 36" from the floor to the top of the cooking surface. Add hood installation height determined on page 8. Mark that location.
- Tape the template in position along the penciled line. **CHECK TO BE SURE THE TEMPLATE IS LEVEL.**
- Use a level to draw a line straight up, from the centerline on the template to the ceiling.

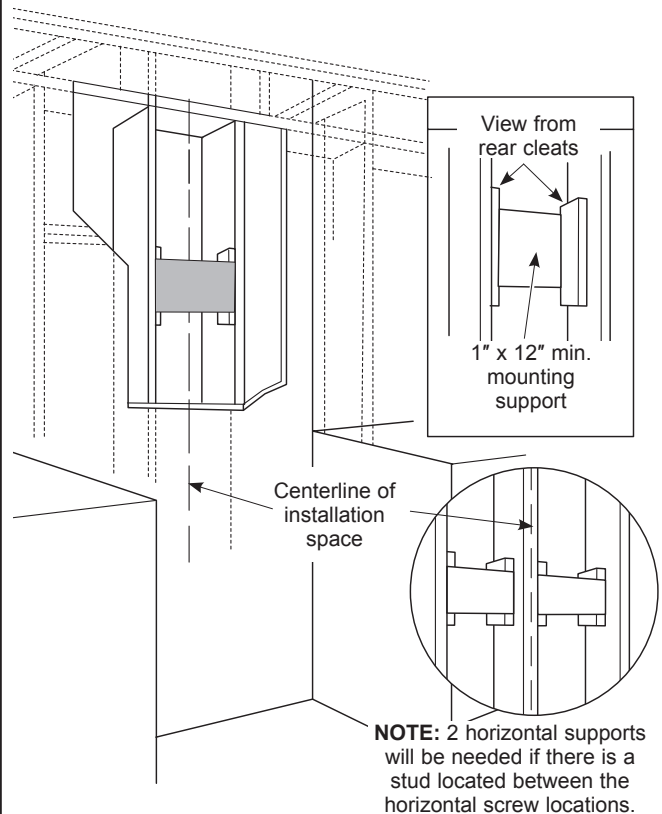


HOUSE WIRING LOCATION:

- The junction box is located on the top left side of the hood.
- Wiring can enter from the back wall or ceiling above the top bracket location. Route additional wiring length to reach the junction box.

1 INSTALL FRAMING FOR HOOD SUPPORT

IMPORTANT: The vent hood must be secured to rear support framing or a wall stud. Framing must be capable of supporting 100 lbs.



If drywall is present, mark the screw hole locations for the top mounting brackets. Remove the template.

- Cut away enough drywall to expose 2 vertical studs at the bracket location indicated on the template.
- Install a horizontal support at least 1" x 12" between two wall studs at the mounting screw location. **The horizontal support must be flush with the room side of the studs.** Use cleats behind both sides of the support to secure to wall studs.

IMPORTANT: Reinstall drywall for an even mounting surface.

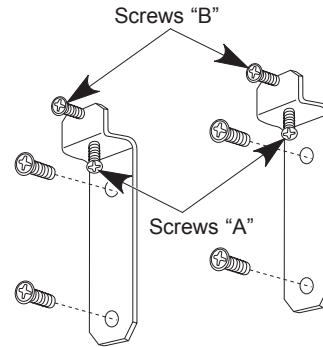
Installation Instructions

INSTALLATION – RECIRCULATING

2 INSTALL MOUNTING BRACKETS

The vent hood must be secured to rear support framing or a wall stud.

- With the template taped in place, use a punch to mark all mounting screw locations.
- Drill 1/8" pilot holes at the 6 punched locations.
- Remove the template.
- Enlarge holes that did not enter studs to 3/8" and tap anchors for wall fasteners into the holes.
 - Drive screws into the fasteners to allow anchors to expand against the wall material. Remove the screws for final installation.
- Secure the mounting brackets to the wall studs with wood screws provided.

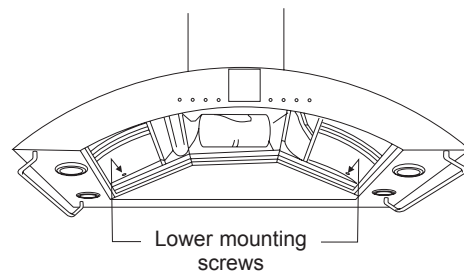
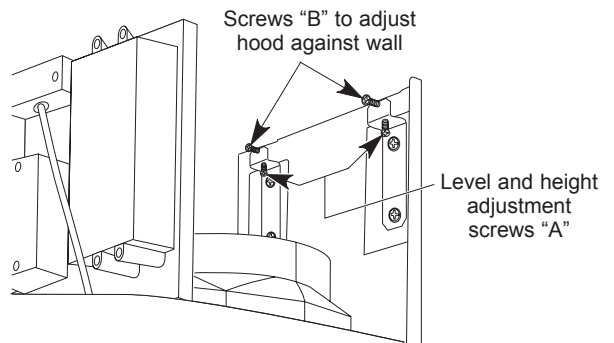


NOTE: Screws "A" and "B" are preassembled onto the brackets. Do not remove these screws.

3 INSTALL THE HOOD

Place the hood on the brackets and slide left to right to align with rectangular slots at the top.

- Adjust the installation height by tightening or loosening the screws "A" at the bottom of the brackets.
- Align the hood lower mounting holes with pilot holes in the wall.
- Using two large washers (supplied), install wood screws or wall-fastener screws, loosely, into lower mounting holes. Do not tighten.
- Level the hood by tightening or loosening the screws "A" located on the bottom mounting brackets.
- Tighten the lower mounting screws.
- Tighten screws "B" located at the top of the mounting bracket against the hood to adjust position. **Do not overtighten screws.**

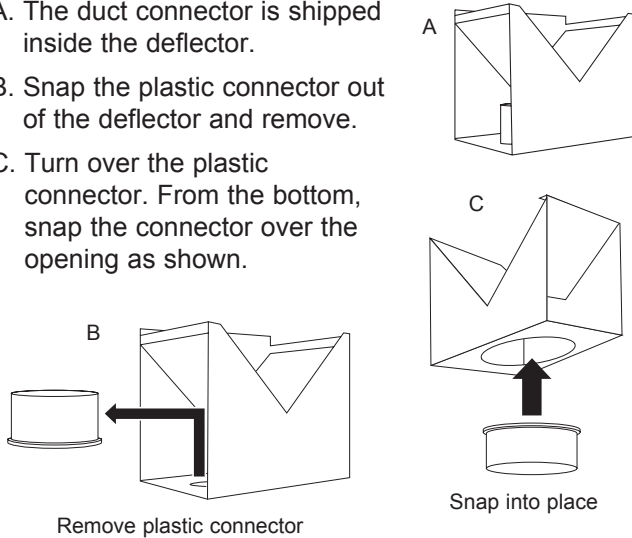


Installation Instructions

INSTALLATION – RECIRCULATING

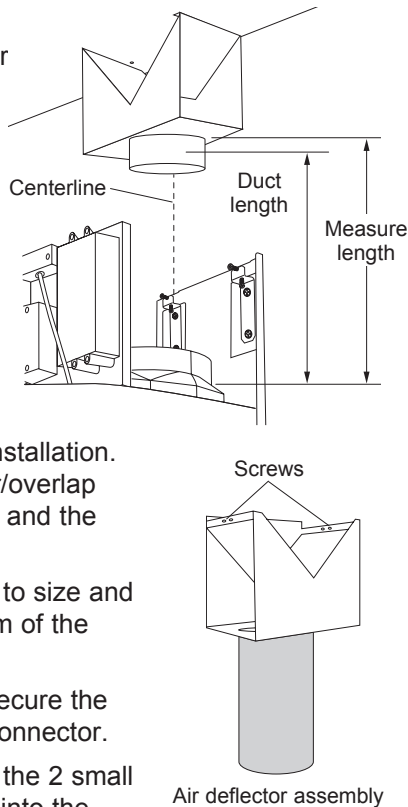
4 ASSEMBLE DEFLECTOR AND CONNECTOR

- A. The duct connector is shipped inside the deflector.
- B. Snap the plastic connector out of the deflector and remove.
- C. Turn over the plastic connector. From the bottom, snap the connector over the opening as shown.



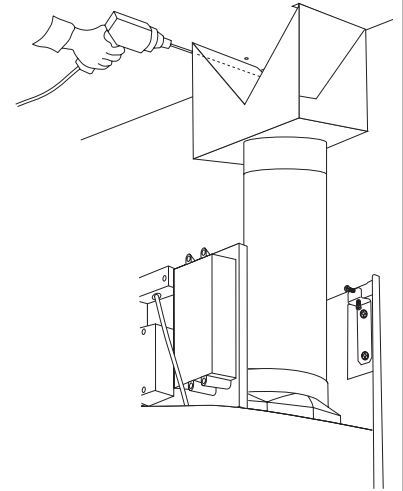
5 SIZE DUCT PIECE

- Hold air deflector with duct connector against the ceiling. Align window on the back of the deflector with the marked centerline.
- Measure from the bottom of the deflector to the top of the hood as shown. Reduce this dimension by 1" to facilitate installation. The duct will cover/overlap the duct connector and the exhaust outlet.
- Cut the duct piece to size and slip onto the bottom of the duct connector.
- Use duct tape to secure the duct piece to the connector.
- Temporarily install the 2 small duct cover screws into the sides of the deflector. Remove the screws. This will ensure ease of final installation.



6 INSTALL AIR DEFLECTOR ASSEMBLY

- Place the assembly over the hood outlet.
- Hold the assembly against the ceiling. The penciled centerline should show through the slot on the deflector. Mark the two screw holes on the back of the assembly.
- Remove the assembly and drill 1/8" pilot holes into the wall studs.
- Enlarge holes that did not enter studs to 3/8" and tap plastic or metal anchors into the holes, flush with the wall.
- Mount the assembly onto the hood outlet, push up against the ceiling and install the screws provided.
- Use duct tape to seal the connection.



CAUTION

Do not use sheet metal screws at the hood duct flange connection. Doing so will prevent proper damper operation. Seal connections with tape only.

Installation Instructions

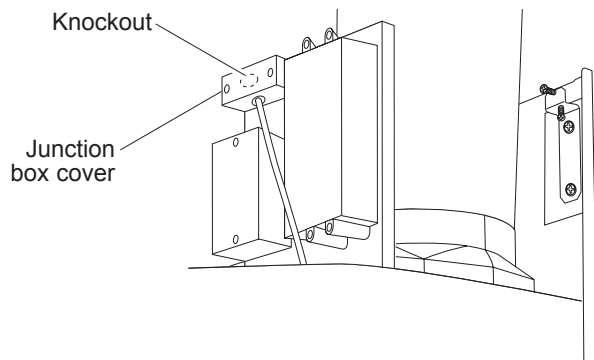
INSTALLATION – RECIRCULATING

7 CONNECT ELECTRICAL

Verify that power is turned off at the source.

▲WARNING If house wiring is not 2-wire with a ground wire, a ground must be provided by the installer. When house wiring is aluminum, be sure to use U.L. approved antioxidant compound and aluminum-to-copper connectors.

- Remove the junction box cover and the selected knockout.

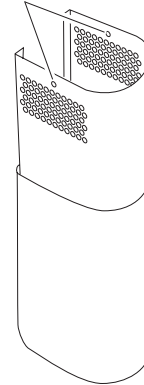


- Secure the house wiring to the junction box with a strain relief.
- Connect the white lead to the branch circuit white lead.
- Connect the black lead to the branch circuit black lead.
- Connect the green/yellow lead to the branch circuit green lead or bare ground lead.
- Secure all the connections with wire nuts on each electrical connector.
- Push the wires into the junction box and replace the cover. Be sure the wires are not pinched.
- Secure the junction box cover with the 2 original screws.

8 INSTALL DUCT COVERS AND UTENSIL RODS

- Assemble the duct covers as shown.

Mounting screw holes

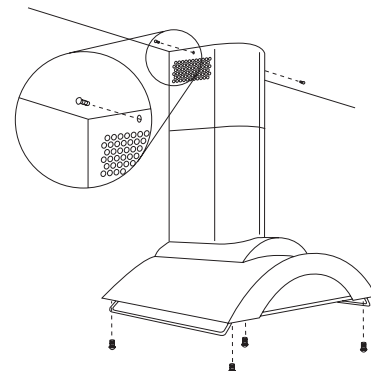


For this recirculating installation, the vent holes must be positioned at the top. **The vent holes must be fully exposed to allow airflow into the room.**

- Insert the duct cover assembly into the impressions on the top of the hood.
- Extend the inner duct cover upwards to meet the ceiling and support frame.

Install optional accessory ZX7510SPSS
(if needed to reach taller ceiling heights)

- Separate the supplied duct cover. Discard the lower (outer) section.
- Slide the new ZX7510SPSS duct cover into the original upper section. Be sure that the vent holes are positioned toward the top.
- Insert the duct cover assembly into the impressions on the top of the hood.
- Secure the duct cover at the top to the air deflector with 2 screws provided.
- Install the side utensil rods as shown with screws provided.

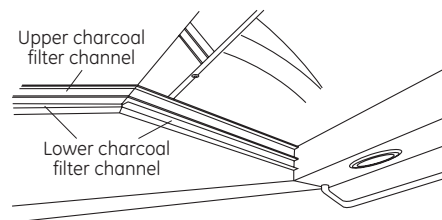


Installation Instructions

INSTALLATION – RECIRCULATING

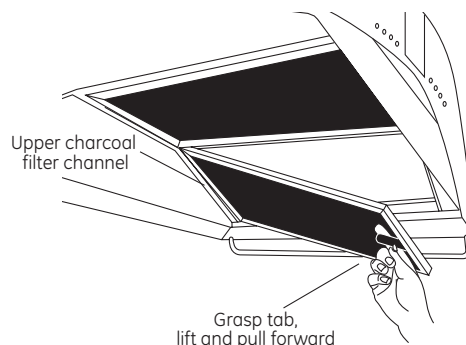
9 INSTALL FILTERS

- There are two channels inside the back and front of the hood. These channels will hold the charcoal filters and stainless steel grease filters in place.



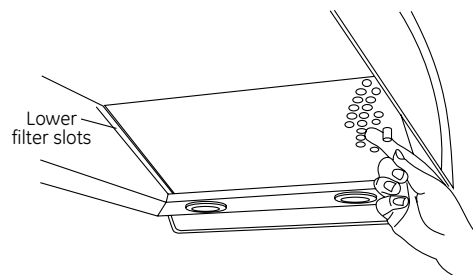
Install charcoal filters

- Remove protective film on the charcoal filters.
- Tip charcoal filters into the upper (top) channels at the rear of the opening. Grasp the filter tab, lift and pull forward until it rests in the front upper channel.
- Install all 3 charcoal filters.



Install grease filters

- Remove protective film from grease filters.
- Tip the grease filter into the lower channel at the rear of the opening. Push back, lift and pull the knob forward until the filter rests on the channel.
- Install all 3 grease filters.
- Turn power on. If the filter light on the control panel glows, adjust the right-side filter in the channel to engage the switch arm.



10 FINALIZE INSTALLATION

- Remove protective film covering the control panel on the front face of the hood and any remaining packaging materials.
- Make sure the filters are seated properly when installed and the filter light is not on.
- Be sure fan and lights operate correctly. Refer to the Owner's Manual for operating instructions and Problem Solver.

Consignes de Sécurité

LISEZ ET CONSERVEZ CES INSTRUCTIONS

AVANT DE COMMENCER

Lisez ces instructions entièrement et attentivement.

■ **IMPORTANT** — Conservez ces instructions pour l'inspecteur électrique local.

■ **IMPORTANT** — Respectez tous les codes et règlements en vigueur.

■ **Remarque pour l'installateur** — Assurez-vous de remettre ces instructions à l'utilisateur.

■ **Remarque pour l'utilisateur** — Conservez ces instructions avec votre notice d'utilisation pour toute référence future.

■ **Niveau de compétence** — L'installation de cet appareil demande des connaissances de base en mécanique et en électricité.

■ **Délai d'exécution** — 1 à 3 heures.

■ L'installateur est responsable de l'installation correcte de l'appareil. La panne de l'appareil due à une mauvaise installation n'est pas couverte par la garantie.

Pour les services locaux Monogram dans votre secteur, appelez le 1.800.444.1845.

Pour les services Monogram au Canada, appelez le 1.800.561.3344.

Pour les Pièces et Accessoires Monogram, appelez 1.800.626.2002.

⚠ ATTENTION A cause de la taille et du poids de ces hottes aspirantes ainsi que pour réduire le risque de blessure corporelle ou de dommage au produit, **DEUX PERSONNES SONT REQUISES POUR UNE INSTALLATION CORRECTE.**

⚠ AVERTISSEMENT Pour réduire le risque d'incendie ou de choc électrique, n'utilisez pas cette hotte avec un dispositif de contrôle de la vitesse à semi-conducteurs. Toute altération du câblage électrique d'origine peut endommager l'appareil et/ou créer un risque électrique. **POUR RÉDUIRE LE RISQUE D'INCENDIE, N'UTILISEZ QUE DES CONDUITS MÉTALLIQUES.**

⚠ AVERTISSEMENT **POUR RÉDUIRE LE RISQUE D'INCENDIE, DE CHOC ÉLECTRIQUE OU DE BLESSURE CORPORELLE, SUIVEZ LES INSTRUCTIONS SUIVANTES :**

- A. Cet appareil doit uniquement être utilisé aux fins prévues par le fabricant. Si vous avez des questions, contactez le fabricant.
- B. Avant de réparer ou de nettoyer un appareil, coupez l'alimentation électrique au niveau du tableau de distribution et verrouillez le disjoncteur pour éviter que l'alimentation électrique ne soit accidentellement rétablie. Quand il n'est pas possible de verrouiller le disjoncteur, attachez un moyen d'avertissement, une étiquette par exemple, au panneau de distribution.

⚠ ATTENTION **UNIQUEMENT POUR UNE ÉVACUATION DE TYPE GÉNÉRAL. N'UTILISEZ PAS CET APPAREIL POUR ÉVACUER DES SUBSTANCES OU DES VAPEURS NOCIVES OU EXPLOSIVES.**

⚠ AVERTISSEMENT **POUR RÉDUIRE LE RISQUE D'INCENDIE, DE CHOC ÉLECTRIQUE OU DE BLESSURE CORPORELLE, SUIVEZ LES INSTRUCTIONS SUIVANTES :**

- L'installation et le câblage électrique doivent être effectués par une ou plusieurs personnes qualifiées, conformément à tous les codes et toutes les normes applicables, dont ceux concernant la résistance au feu des constructions.
- Une quantité d'air suffisante est nécessaire à une combustion et une évacuation appropriées des gaz par le conduit d'évacuation (cheminée) de l'équipement à combustible pour éviter tout refoulement. Suivez les directives et normes de sécurité du fabricant de l'appareil chauffant, comme celles publiées par la National Fire Protection Association (NFPA), par l'American Society for Heating, Refrigeration and Air Conditioning Engineers (ASHRAE) et par les autorités locales. Le cas échéant, installez un système de compensation d'air (remplacement) conformément aux conditions des codes locaux du bâtiment. Visitez le site **GEAppliances.com** pour connaître les solutions offertes en matière de système de compensation d'air.
- Lorsque vous effectuez des découpes ou que vous percez un mur ou un plafond, n'endommagez pas le câblage électrique ou tout autre réseau d'alimentation caché.
- L'air des ventilateurs disposant de conduits d'aération doit toujours être évacué vers l'extérieur.
- Les codes locaux peuvent varier. L'installation de branchements électriques et la mise à la terre doivent être conformes aux codes en vigueur. Les évacuations doivent être installées conformément à la dernière édition du Code Electrique National ANSI/NFPA No 70-1990.

⚠ ATTENTION Pour réduire le risque d'incendie et évacuer correctement l'air en l'évacuant vers l'extérieur—n'évacuez pas l'air vers un espace entre deux murs ou dans le plafond ou encore dans un grenier, un vide sanitaire ou un garage.

Information de conception

TABLE DES MATIÈRES

Information de conception

Modèles disponibles	20
Dimensions de l'appareil	20

Planification

Planification des conduits	21
Supports muraux pour une fixation adéquate	21
Planification	21

Préparation pour l'installation

Raccords de conduits	22
Alimentation électrique	23
Outils et matériels nécessaires	23
Retrait de l'emballage	24
Vérification du matériel d'installation	24
Détermination de la hauteur d'installation	25

Instructions d'installation

Installation – Évacuation vers l'extérieur	26–30
Étape 1, Installation du cadre pour le support de la hotte	26
Étape 2, Installation des supports de montage	27

Étape 3, Installation de la hotte	27
Étape 4, Installation du support de conduit	28
Étape 5, Raccordement des conduits	29
Étape 6, Branchement électrique	29
Étape 7, Installation du cache de conduit et des barres à ustensiles	30
Étape 8, Installation des filtres	30
Étape 9, Finalisation de l'installation	30
Installation – Recyclage	31–35
Étape 1, Installation du cadre pour le support de la hotte	31
Étape 2, Installation des supports de montage	32
Étape 3, Installation de la hotte	32
Étape 4, Assemblage du déflecteur et du connecteur	33
Étape 5, Détermination de la dimension des conduits	33
Étape 6, Installation du déflecteur d'air	33
Étape 7, Branchement électrique	34
Étape 8, Installation du cache de conduit et des barres à ustensiles	34
Étape 9, Installation des filtres	35
Étape 10, Finalisation de l'installation	35

MODÈLES DISPONIBLES

Modèle ZV750

Modèle ZV755

Ces hottes peuvent être installées de manière à évacuer l'air à l'extérieur ou à le recycler. Toutes les pièces requises pour que la hotte puisse recycler l'air sont fournies. Aucun ensemble n'est nécessaire.

- Ces hottes peuvent être installées au-dessus de n'importe quelle table ou surface de cuisson électrique ou à gaz

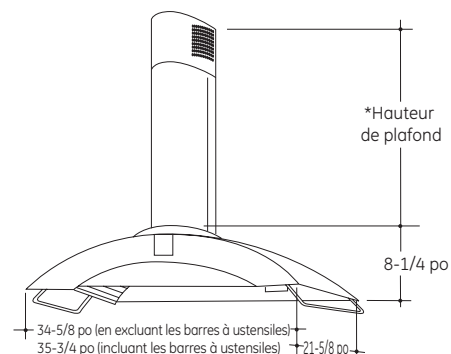
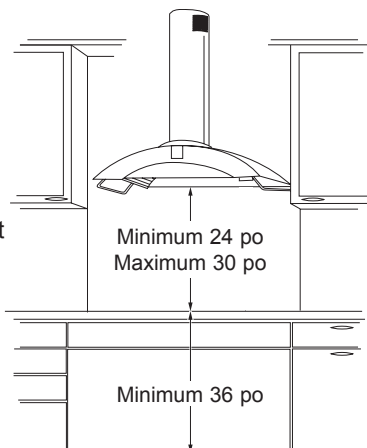
Monogram de 76,2 cm (30 po) ou de 91,4 cm (36 po), sauf les cuisinières ou les tables de cuisson professionnelles Monogram dont la largeur est supérieure à 76,2 cm (30 po).

- Les caches de conduits réversibles peuvent s'adapter à une installation en recyclage.
- Les caches de conduits télescopiques dissimulent le conduit entre le haut de la hotte et le plafond.
- Le cache de conduit fourni permet d'atteindre des plafonds à une hauteur de 2,75 m (9 pieds) ou plus suivant l'installation. Consultez le tableau en page 25.

DIMENSIONS ET DÉGAGEMENTS DE L'APPAREIL

La hotte aspirante doit être installée à une hauteur minimale de 60 cm (24 po) et de 76 cm (30 po) au-dessus de la surface de cuisson.

NOTE : La hauteur d'installation de la hotte doit être mesurée de la surface de cuisson à la partie la plus basse de la hotte.



ZX7510SPSS Accessoire cache de conduit

Cet accessoire est disponible pour les installations sous des plafonds d'une hauteur de 2,75 m à 3,05 m (9 à 10 pieds) et plus. Consultez le tableau en page 25.

Le cache doit être disponible sur le site au moment de l'installation de la hotte.

Planification

PLANIFICATION DES CONDUITS

- Cette hotte est conçue pour une évacuation verticale au travers du plafond. Utilisez des coudes fournis localement pour une évacuation horizontale au travers du mur arrière.
- Déterminez l'emplacement exact de la hotte aspirante.
- Planifiez le cheminement des conduits de ventilation vers l'extérieur.
- Utilisez les cheminements de conduit les plus droits et les plus courts possibles. Pour une performance satisfaisante, la longueur du conduit ne doit pas dépasser un équivalent de 100 pieds quelque que soit la configuration du conduit.
- Référez-vous au tableau "Raccords de conduit" pour calculer la longueur maximale admise du conduit vers l'extérieur.
- Utilisez seulement des conduits métalliques rigides.
- Un conduit de section circulaire de 6 po de diamètre est nécessaire pour cette hotte. Le conduit de 6 po peut passer à un conduit de 3-1/4 po x 10 po ou 3-1/4 x 12 po.
- Installez le conduit de la maison de façon à ce qu'il passe horizontalement entre les solives du plafond ou directement à travers le toit.
- Installez des événements muraux ou de toiture avec un registre sur l'ouverture vers l'extérieur. Commandez à l'avance les événements muraux ou de toiture, toute la longueur et les transitions de conduit.
- Le cas échéant, installez un système de compensation d'air (remplacement) conformément aux conditions des codes locaux du bâtiment. Visitez le site **GEAppliances.com** pour connaître les solutions offertes en matière de système de compensation d'air.

⚠ AVERTISSEMENT POUR RÉDUIRE LE RISQUE D'INCENDIE, N'UTILISEZ QUE DES CONDUITS MÉTALLIQUES RIGIDES.

SUPPORTS MURAUX POUR UNE FIXATION ADEQUATE

- Cette hotte aspirante est lourde. Une structure de support adéquate est requise. La hotte doit être fixée sur des poteaux verticaux dans le mur. Référez-vous aux pages 26 ou 31.
- La hotte aspirante et le cache de conduit doivent se trouver sur le site avant la fixation finale et la finition murale. Ceci permettra de repérer avec précision les conduits et les câblages électriques.
- L'installation sera facilitée si la hotte aspirante est installée avant la surface de cuisson et le plan de travail.

PLANIFICATION

Suivant la hauteur de plafond, un accessoire cache conduit peut être nécessaire.

Préparation pour l'installation

RACCORDS DE CONDUITS

Un conduit de section circulaire de 6 po de diamètre est nécessaire pour cette hotte. Ce conduit peut passer à un conduit de 3-1/4 po x 10 po ou 3-1/4 po x 12 po.

Utilisez ce tableau pour calculer les longueurs maximales permises des conduits vers l'extérieur.

NOTE : Ne dépassez pas la longueur équivalente autorisée !

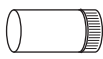
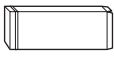


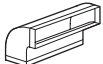
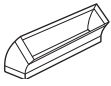
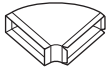
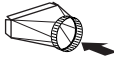
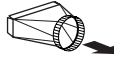
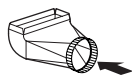
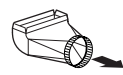
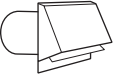
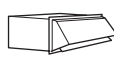

Longueur maximale de conduit : 30 m (100 pieds) pour des hottes de cuisinières.

Conduit flexible :

Si vous utilisez des conduits métalliques flexibles, toutes les valeurs en pieds équivalents de ce tableau doivent être multipliées par deux. Le conduit métallique flexible doit être droit, lisse et aussi étiré que possible.

N'UTILISEZ PAS de conduit en plastique flexible.

NOTE : Tout système de ventilation domestique, tel qu'une hotte aspirante, est susceptible d'interférer avec le débit d'air de combustion et d'évacuation requis pour des foyers de cheminée, des brûleurs à gaz, des chauffe-eau à gaz et de tout autre système à ventilation naturelle. Afin de minimiser les risques d'interruption de tels systèmes à ventilation naturelle, veuillez suivre les directives du fabricant de l'équipement de chauffage ainsi que les normes de sécurité publiées par la NFPA et l'ASHRAE. Le cas échéant, installez un système de compensation d'air (remplacement) conformément aux conditions des codes locaux du bâtiment. Le cas échéant, installez un système de compensation d'air (remplacement) conformément aux conditions des codes locaux du bâtiment. Visitez le site GEAppliances.com pour connaître les solutions offertes en matière de système de compensation d'air.

Section de conduit	Dimensions	Longueur équivalente*	Quantité utilisée	Longueur équivalente totale
	Rond, droit	1 pied (par longueur en pied)		
	Droit de 3-1/4 po x 10 po	1 pied (par longueur en pied)		
	Coude de 90°	12 pieds		
	Coude de 45°	7 pieds		
	3-1/4 po x 10 po 3-1/4 po x 12 po Coude 90°	14 pieds 10 pieds		
	3-1/4 po x 10 po 3-1/4 po x 12 po Coude 45°	8 pieds 6 pieds		
	3-1/4 po x 10 po 3-1/4 po x 12 po Coude plat 90°	33 pieds 24 pieds		
	Rond de 6 po pour raccord rectangulaire	2 pieds		
	Rectangulaire pour raccord rond de 6 po	2 pieds		
	3-1/4 po x 10 po 3-1/4 po x 12 po Rond 6 po pour raccord en coude 90° rectangulaire	4 pieds 4 pieds		
	3-1/4 po x 10 po 3-1/4 po x 12 po Rectangulaire pour raccord rond 6 po en coude 90°	4 pieds 4 pieds		
	Évent mural rond avec registre	24 pieds		
	3-1/4 po x 10 po 3-1/4 po x 12 po Évent mural rectangulaire avec registre	24 pieds 18 pieds		
	Évent de toiture rond	33 pieds		

*Équivalent à la longueur réelle du conduit droit et du raccord. Les longueurs équivalentes des sections de conduit sont basées sur des essais réels effectués par GE Appliances Evaluation Engineering et représentent les longueurs nécessaires à une bonne ventilation pour tout type de hotte de ventilation.

Longueur totale de conduit _____

Préparation pour l'installation

ALIMENTATION ÉLECTRIQUE

IMPORTANT – (A lire attentivement)

⚠ AVERTISSEMENT POUR DES RAISONS DE SÉCURITÉ, CET APPAREIL DOIT ÊTRE CORRECTEMENT MIS À LA TERRE.

Retirez le fusible du domicile ou ouvrez le disjoncteur avant de commencer l'installation.

Les rallonges et les adaptateurs ne doivent pas être utilisés avec cet appareil. Veuillez suivre les codes électriques nationaux ou les codes et règlements locaux.

Alimentation électrique

Cette hotte aspirante doit être alimentée par du 120V, 60Hz, et branchée à un circuit de dérivation correctement mis à la terre et protégé par un disjoncteur de 15 ou 20 A ou par un fusible à action différée.

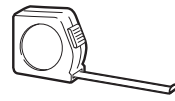
- Le câblage électrique doit être constitué de 2 brins et d'une terre.
- Si l'alimentation électrique n'est pas conforme à ces exigences, appelez un électricien qualifié avant de commencer.
- Faites passer les fils électriques domestiques le plus près possible de l'installation. Les fils peuvent passer par le plafond ou par le mur arrière. Faites passer toute longueur supplémentaire par le plafond ou le mur pour atteindre la boîte de jonction.
- Raccordez le câblage de la hotte au câblage du domicile conformément aux codes locaux.

Instructions de mise à la terre

Le fil de mise à la terre doit être connecté à une partie métallique mise à la terre, à une borne de terre ou à un fil de sortie de la hotte.

⚠ AVERTISSEMENT Une connexion incorrecte de ce fil de terre pourrait provoquer un risque de choc électrique. Vérifiez auprès d'un électricien qualifié ou d'un représentant si vous n'êtes pas sûr que votre appareil soit correctement mis à la terre.

OUTILS ET MATÉRIELS NÉCESSAIRES (Non Fourni)



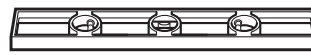
Crayon et mètre



Lunettes de sécurité



Gants



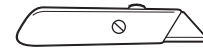
Niveau à bulle



Marteau



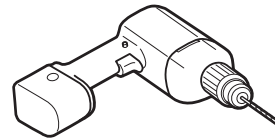
Tournevis Phillips



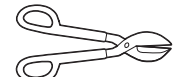
Couteau à lame rétractable



Torche



Perceuse électrique avec un foret de 1/8 po, un Phillips n°2 et une tête plate



Cisaille à métaux



Pincettes



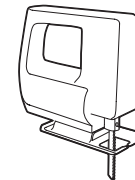
Escabeau



Ruban-cache



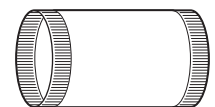
Coupe-fils/Outil à dénuder les fils



Scie sauteuse ou scie à guichet



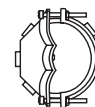
Serre-fils homologués UL



Conduit métallique rond de 6 po, longueur conforme aux besoins de l'installation



Ruban aluminisé



Réducteur de tension pour la boîte de jonction



Circuit électrique correctement branché à la terre avec fil électrique 120V 60Hz. 15- ou 20-AMP, à 2 brins et une terre

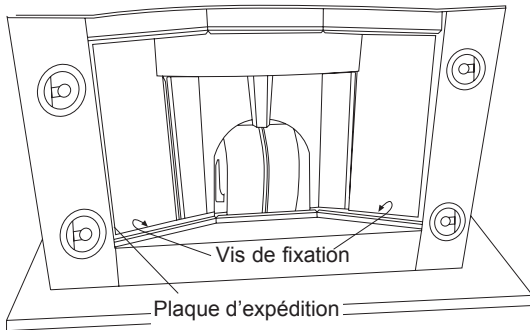
Préparation pour l'installation

RETRAIT DE L'EMBALLAGE

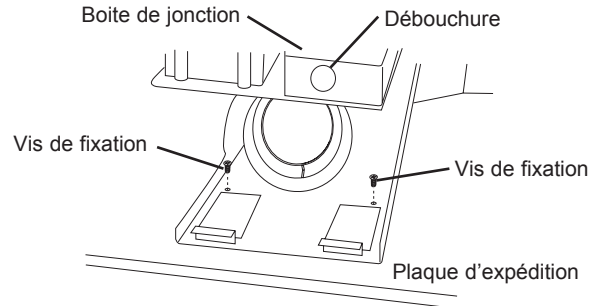
ATTENTION Portez des gants pour vous protéger les mains des bords coupants.

La hotte aspirante est fixée sur une plaque à l'aide de 4 vis pour l'expédition.

- Retirez le cache conduit, la boîte de pièces et la mousse de polystyrène utilisée pour l'emballage.
- Sortez la hotte de la boîte.
- Retirez et jetez d'une façon appropriée l'emballage en plastique.
- Retirez les filtres à graisse métalliques et les protections latérales.



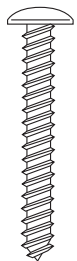
- Pour retirer la plaque d'expédition, localisez et retirez les 2 vis sur la partie supérieure de l'ensemble et les 2 vis à l'intérieur de la hotte derrière les guides des filtres sur les côtés gauches et droits. Jetez la plaque d'expédition.



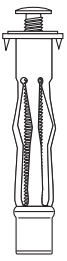
- Retirez le couvercle de la boîte de jonction.
- Retirez la débouchure de la boîte de jonction.
- Installez un réducteur de tension sur la boîte de jonction.

VÉRIFICATION DU MATÉRIEL D'INSTALLATION

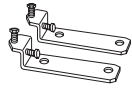
Localisez le paquet contenant le matériel d'installation emballé avec la hotte et vérifiez le contenu.



10 vis à bois



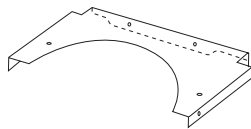
10 chevilles murales



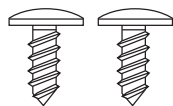
2 Supports de montage



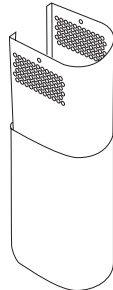
2 grandes rondelles plates



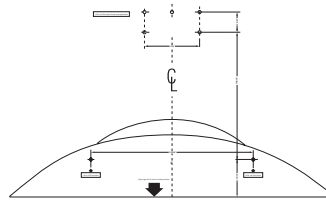
Support pour le cache conduit (non requis pour un fonctionnement en recyclage)



2 vis à tête Phillips pour cache conduit

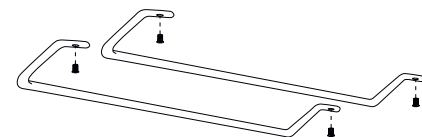
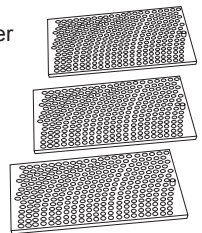


Cache conduit décoratif



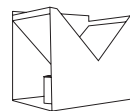
Gabarit de montage mural

3 Filtres à graisse en acier inoxydable

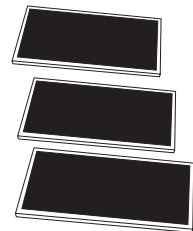


2 barres à ustensiles avec 4 vis de mécanique

Pièces supplémentaires pour un fonctionnement en recyclage



Défecteur d'air avec connecteur pour le conduit supérieur



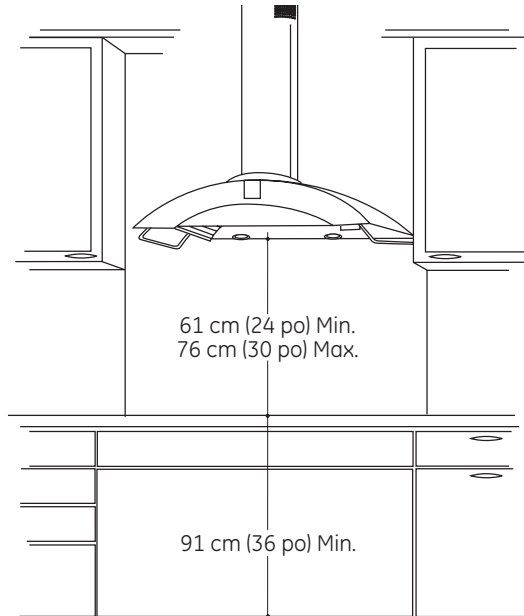
3 Filtres à charbon

NOTE : Des outils, des matériaux et du matériel supplémentaires sont nécessaires pour construire le support mural.

Préparation pour l'installation

DÉTERMINATION DE LA HAUTEUR D'INSTALLATION

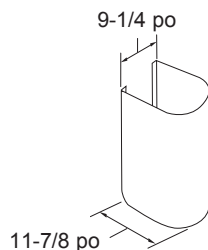
- Les caches conduit télescopiques sont fournis pour dissimuler le conduit allant jusqu'au plafond.
- Cette hotte est installée pour une évacuation vers l'extérieur ou un recyclage. Toutes les pièces nécessaires sont expédiées avec la hotte.



NOTE : La hauteur d'installation de la hotte doit être mesurée de la surface de cuisson à la partie la plus basse de la hotte.

La hotte aspirante doit être installée à une hauteur minimale de 60 cm (24 po) et maximale de 76 cm (30 po) au-dessus de la surface de cuisson. La hauteur d'installation de la hotte, de la surface de cuisson au bas de la hotte dépend de la hauteur de plafond et des limites du cache conduit.

DIMENSIONS DU CACHE CONDUIT



ZX7510SPSS Accessoire cache conduit

Cet accessoire est disponible pour les installations sous des plafonds d'une hauteur de 2,75 m à 3,05 m (9 à 10 pieds) et plus. Cet accessoire comprend un cache conduit de 31-1/2 po.

ZV750/ZV755 Hauteurs d'Installation

Cache conduit supérieur (intérieur) (B)	24,25 po
Cache conduit inférieur (extérieur) (A)	18,5 po
Cache conduit accessoire inférieur (extérieur) (A)	31,5 po

Hauteur de plafond réelle	Hauteur d'installation VENTILÉE*	Hauteur d'installation RECYCLAGE*	FOURNI
7 pi 11 po	24 po à 28 po	24 po à 28 po	
8 pi 0 po	24 po à 29 po	24 po à 29 po	
8 pi 1 po	24 po à 30 po	24 po à 30 po	
8 pi 2 po	24 po à 30 po	24 po à 30 po	
8 pi 3 po	24 po à 30 po	24 po à 30 po	
8 pi 4 po	24 po à 30 po	24 po à 30 po	
8 pi 5 po	24 po à 30 po	24 po à 30 po	
8 pi 6 po	24 po à 30 po	24 po à 30 po	
8 pi 7 po	24 po à 30 po	24 po à 30 po	
8 pi 8 po	24 po à 30 po	24 po à 30 po	
8 pi 9 po	25 po à 30 po	24 po à 30 po	
8 pi 10 po	26 po à 30 po	24 po à 30 po	
8 pi 11 po	27 po à 30 po	24 po à 30 po	
9 pi 0 po	28 po à 30 po	24 po à 30 po	
9 pi 1 po	29 po à 30 po	25 po à 30 po	
9 pi 2 po	30 po	26 po à 30 po	
9 pi 3 po		27 po à 30 po	
9 pi 4 po		28 po à 30 po	
9 pi 5 po		29 po à 30 po	
9 pi 6 po		30 po	

9 pi 0 po	24 po à 30 po	24 po à 28 po	ZX7510SPSS (Requiert l'accessoire Cache Conduit Inférieur 31,5 po)
9 pi 1 po	24 po à 30 po	24 po à 29 po	
9 pi 2 po	24 po à 30 po	24 po à 30 po	
9 pi 3 po	24 po à 30 po	24 po à 30 po	
9 pi 4 po	24 po à 30 po	24 po à 30 po	
9 pi 5 po	24 po à 30 po	24 po à 30 po	
9 pi 6 po	24 po à 30 po	24 po à 30 po	
9 pi 7 po	24 po à 30 po	24 po à 30 po	
9 pi 8 po	24 po à 30 po	24 po à 30 po	
9 pi 9 po	24 po à 30 po	24 po à 30 po	
9 pi 10 po	25 po à 30 po	24 po à 30 po	
9 pi 11 po	26 po à 30 po	24 po à 30 po	
10 pi 0 po	27 po à 30 po	24 po à 30 po	
10 pi 1 po	28 po à 30 po	24 po à 30 po	
10 pi 2 po	29 po à 30 po	24 po à 30 po	
10 pi 3 po	30 po	25 po à 30 po	
10 pi 4 po		26 po à 30 po	
10 pi 5 po		27 po à 30 po	
10 pi 6 po		28 po à 30 po	
10 pi 7 po		29 po à 30 po	
10 pi 8 po		30 po	

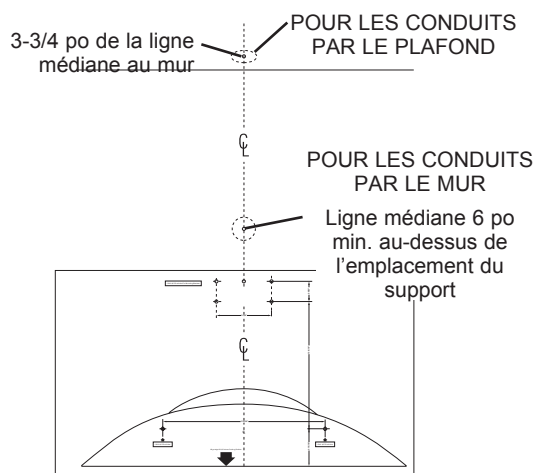
*Basé sur une hauteur de plan de travail de 36 po.

Instructions d'installation

INSTALLATION – ÉVACUATION VERS L'EXTÉRIEUR

EMPLACEMENT DES CONDUITS ET DU CÂBLAGE

- Déterminez l'emplacement exact de la hotte aspirante.
- Identifiez le gabarit fourni avec la notice.
 - Mesurez 36 po du sol jusqu'au dessus de la surface de cuisson. Ajoutez la hauteur d'installation de la hotte, telle que déterminée en page 25. Marquez cet emplacement.
 - **Utilisez un niveau pour tracer une ligne droite horizontale au crayon sur le mur.**
 - Fixez le gabarit à l'aide de ruban adhésif le long de la ligne au crayon. **VÉRIFIEZ QUE LE GABARIT EST DE NIVEAU.**



Conduit de ventilation de plafond :

Si le conduit passe directement par le plafond :

- Utilisez un niveau pour tracer une ligne droite verticale, de la ligne médiane du gabarit jusqu'au plafond.
- Au plafond, mesurez 3-3/4 po du mur arrière à la ligne médiane d'un trou de 6-1/2 po de diamètre dans le plafond.

NOTE : En l'absence de cloison sèche, ajoutez l'épaisseur d'une cloison sèche à la valeur 3-3/4 po.

Conduit mural :

Si le conduit passe par le mur arrière :

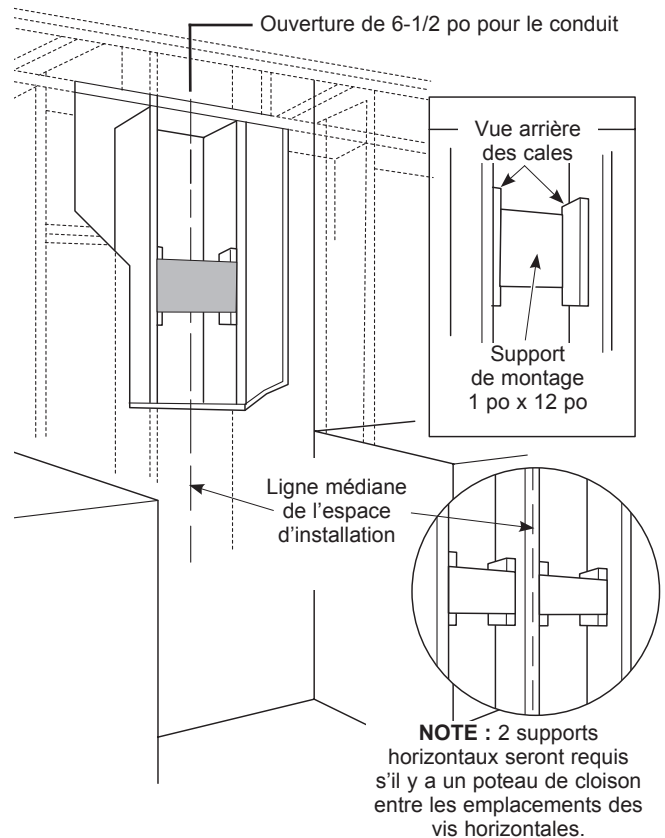
- Utilisez un niveau pour tracer une ligne droite verticale à partir de la ligne médiane du gabarit.
- Mesurez au moins 6 po au-dessus de l'emplacement du support indiqué sur le gabarit jusqu'à la ligne médiane d'un trou de conduit de 6-1/2 po de diamètre. (Le trou peut être agrandi pour le passage d'un coude).

EMPLACEMENT DU CÂBLAGE DU DOMICILE :

- La boîte de jonction est située à l'intérieur de la hotte sur le côté supérieur gauche.
- Les fils peuvent arriver du mur arrière ou du plafond au-dessus de l'emplacement du support supérieur. Faites passer les longueurs de fils supplémentaires pour atteindre la boîte de jonction.

1 INSTALLATION DU CADRE POUR LE SUPPORT DE LA HOTTE

IMPORTANT : La hotte doit être fixée à un cadre de support à l'arrière ou à un poteau de cloison. Le cadre doit être capable de supporter 45 kg (100 livres).



NOTE : 2 supports horizontaux seront requis s'il y a un poteau de cloison entre les emplacements des vis horizontales.

En présence d'une cloison sèche, marquez les emplacements des trous de vis pour les supports de montage supérieurs. Retirez le gabarit.

- Faites une découpe suffisamment grande dans la cloison sèche pour exposer 2 poteaux verticaux à l'emplacement du support indiqué sur le gabarit.
- Installez un support horizontal aux dimensions de 1 po x 12 po entre les deux poteaux de cloison à l'emplacement de la vis de montage. **Le support horizontal doit être encastré dans le côté pièce des poteaux de cloison.** Placez des cales derrière les deux côtés du support afin de fixer les poteaux de cloison.

IMPORTANT : Réinstallez la cloison sèche pour obtenir une surface de montage régulière.

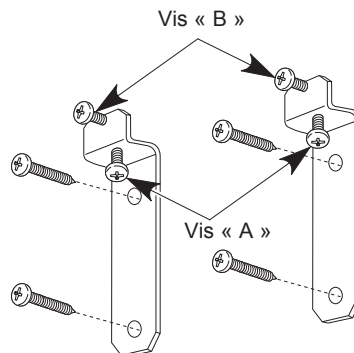
Instructions d'installation

INSTALLATION – ÉVACUATION VERS L'EXTÉRIEUR

2 INSTALLATION DES SUPPORTS DE MONTAGE

La hotte doit être fixée à un support à l'arrière ou à un poteau de cloison.

- Une fois le gabarit en place, utilisez un poinçon pour marquer les emplacements des vis des supports de montage.
- Percez des trous d'1/8 po aux 6 emplacements poinçonnés.
- Retirez le gabarit.
- Agrandissez les trous n'ayant pas atteint les poteaux de cloison à 3/8 po et enfoncez des ancrages dans les trous pour les chevilles murales.
 - Vissez les vis dans les chevilles pour permettre l'expansion des ancrages dans le mur. Retirez les vis pour l'installation finale.
- Fixez les supports de montage dans les poteaux de cloison à l'aide des vis à bois fournies.

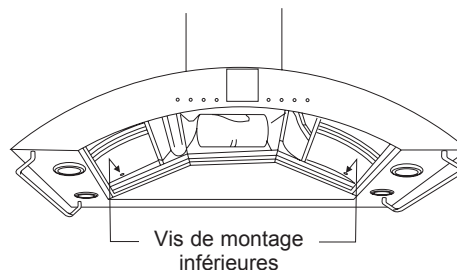
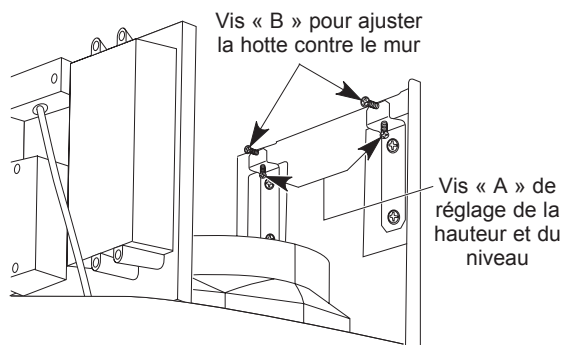


NOTE : Les vis « A » et « B » sont préassemblées sur les supports. Ne retirez pas ces vis.

3 INSTALLATION DE LA HOTTE

Placez la hotte sur les supports et faites-la glisser de gauche à droite pour aligner les fentes rectangulaires sur le dessus.

- Ajustez la hauteur d'installation en serrant ou en desserrant les vis "A" sur le bas des supports.
- Alignez les trous de montage inférieurs de la hotte avec les trous de guidage dans le mur.
- En utilisant deux grande rondelles (fournies), placez, sans les serrer, les vis à bois ou les vis de fixation au mur dans les trous de montage inférieurs. Ne les serrez pas.
- Mettez la hotte de niveau en serrant ou en desserrant les vis "A" situées sur les supports de montage inférieurs.
- Serrez les vis de montage inférieures.
- Serrez les vis "B" situées sur le haut du support de montage contre la hotte pour ajuster sa position. **Ne serrez pas trop les vis.**



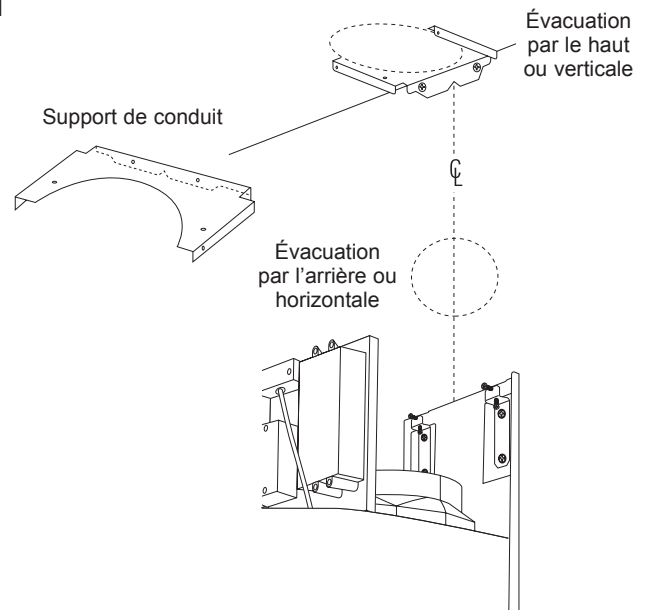
Instructions d'installation

INSTALLATION – ÉVACUATION VERS L'EXTÉRIEUR

4 INSTALLATION DU SUPPORT DE CONDUIT

ÉVACUATION VERS L'ARRIÈRE (HORIZONTALE) OU VERS LE HAUT (VERTICALE)

- Installez temporairement les 2 petites vis sur les côtés du support du conduit. Retirez ensuite les vis. Ceci facilitera leur installation finale.
- Positionnez le support de conduit supérieur contre le mur et le plafond, en alignant l'indication au crayon CL et CL sur le support.
- Marquez les emplacements des 4 vis sur le support.
- Retirez le support.
- Percez des trous de guidage de 1/8 po à l'emplacement indiqué du support.
- Si les trous de guidage ne pénètrent pas dans les poteaux de cloison, agrandissez les trous de 3/8 po et installez les ancrages muraux. Vissez les vis dans les chevilles pour permettre l'expansion des ancrages dans le mur. Retirez ensuite les vis.
- Fixez les supports au plafond et au mur à l'aide des vis à bois et/ou des vis de fixation au mur.

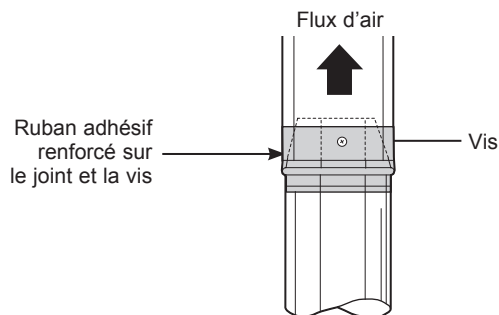


Instructions d'installation

INSTALLATION – ÉVACUATION VERS L'EXTÉRIEUR

5 CONNEXION DES CONDUITS

- Retirez les adhésifs d'expédition du registre.
- Installez le conduit, en veillant à ce que les branchements suivent la direction du flux d'air comme indiqué.
- Enfoncez le conduit par-dessus la sortie d'évacuation et le registre.



⚠ ATTENTION

N'utilisez pas de vis à tête au niveau du raccord de la sortie d'évacuation. Ceci empêcherait le bon fonctionnement du registre. Utilisez uniquement du ruban adhésif pour assurer l'étanchéité du raccord.

- Fixez les raccords dans le conduit à l'aide de vis à tête.
- Enveloppez les joints dans le conduit et les raccordements de brides à l'aide d'un ruban aluminisé pour un raccord étanche à l'air.

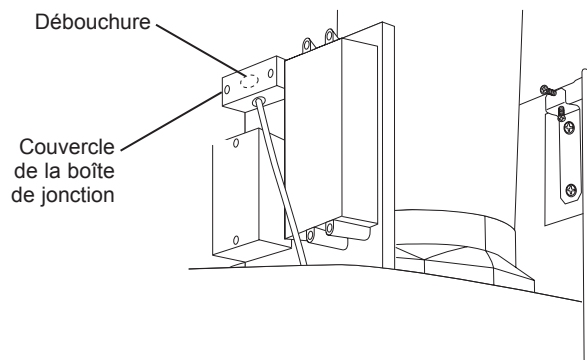
6 BRANCHEMENT ÉLECTRIQUE

Vérifiez que l'alimentation électrique est coupée à la source.

⚠ AVERTISSEMENT

Si le circuit de la maison n'est pas équipé de 2 brins et d'un fil de terre, l'installateur doit poser un fil de terre. Si les fils sont en aluminium, prenez soin d'utiliser des connecteurs conçus pour le raccordement du cuivre à l'aluminium avec une pâte antioxydante approuvée par l'UL.

- Retirez le couvercle de la boîte de jonction et la débouchure sélectionnée.



- Fixez le câblage domestique à la boîte de jonction avec un réducteur de tension (non fourni).
- Connectez le câble blanc au câble blanc du circuit de dérivation.
- Connectez le câble noir au câble noir du circuit de dérivation.
- Connectez le câble vert/jaune au câble vert ou au câble dénudé de terre du circuit de dérivation.
- Fixez toutes les connexions à l'aide de serre-fils sur chaque connecteur électrique.
- Poussez doucement les fils dans la boîte de jonction et remettez le couvercle. Veillez à ne pas pincer les fils.
- Fixez le couvercle de la boîte de jonction avec les 2 vis d'origine.

Instructions d'installation

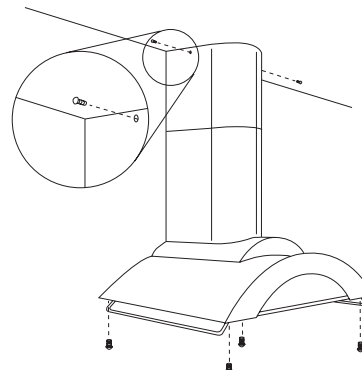
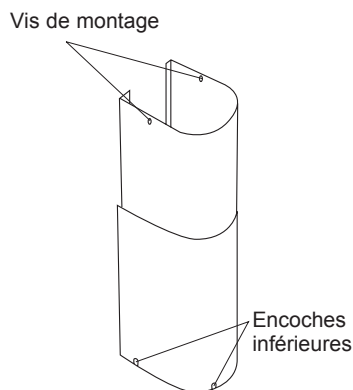
INSTALLATION – ÉVACUATION VERS L'EXTÉRIEUR

7 INSTALLATION DU CACHE CONDUIT ET DES BARRES À USTENSILES

Assemblez les caches conduit comme indiqué.

Pour cette installation avec ventilation, placez le cache conduit supérieur dans le cache conduit inférieur. Les trous de ventilation du cache conduit intérieur doivent être positionnés vers le bas et ne doivent pas être visibles.

- Insérez les caches conduit assemblés dans l'impression dans le haut de la hotte.
- Tirez le cache conduit intérieur vers le haut jusqu'à atteindre le plafond et le support. (Les trous de ventilation ne doivent pas être visibles dans cette installation).
- Fixez le cache conduit au support à l'aide de 2 petites vis fournies pour le cache conduit.
- Installez les barres latérales à ustensiles comme indiqué avec les vis fournies.

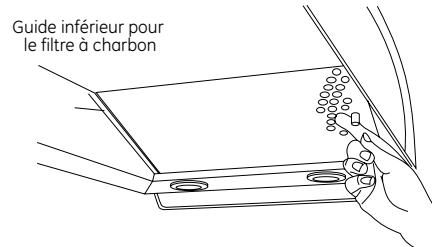
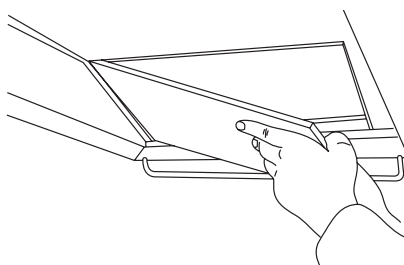
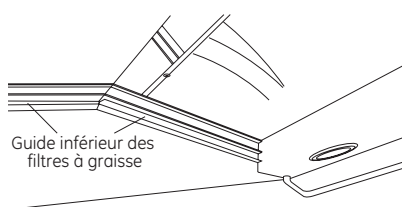


Installez l'accessoire en option ZX7510SPSS

(si nécessaire pour des hauteurs de plafond plus importantes)

- Séparez le cache conduit fourni en plusieurs parties. Jetez la section inférieure (extérieure).
- Faites glisser le nouveau cache conduit ZX7510SPSS par dessus la section supérieure d'origine. Assurez-vous que la section la plus longue est à l'extérieur de la section originale plus courte. Les encoches seront sur le bas et les trous de vis sur le haut comme indiqué.
- Fixez le cache conduit au support à l'aide de 2 petites vis fournies pour le cache conduit.

8 INSTALLATION DES FILTRES



- Retirez le film protecteur des filtres.
- Faites basculer le filtre dans le guide inférieur à l'arrière de l'ouverture, poussez-le vers l'arrière, soulevez et tirez le bouton vers l'avant jusqu'à ce que le filtre repose sur le guide.
- Installez les trois filtres à graisse métalliques.
- Allumez la hotte. Si le voyant du filtre sur le tableau de commande est allumé, ajustez le filtre droit dans le guide pour engager le microrupteur.

9 FINALISATION DE L'INSTALLATION

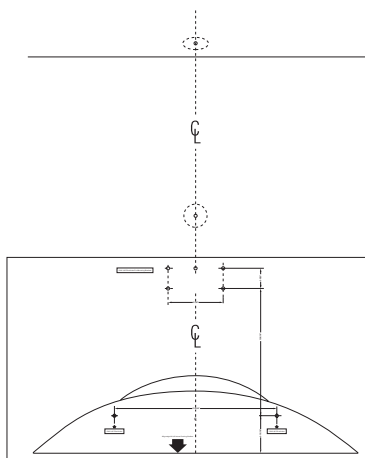
- Retirez le film protecteur recouvrant le tableau de commande sur l'avant de la hotte ainsi que tous les matériaux d'emballage.
- Assurez-vous que les filtres sont correctement positionnés et que le voyant des filtres n'est pas allumé.
- Assurez-vous du bon fonctionnement du ventilateur et de l'éclairage. Référez-vous au Manuel d'Utilisation pour les consignes d'utilisation et le tableau de résolution des problèmes.

Instructions d'installation

INSTALLATION – RECYCLAGE

EMPLACEMENT DES CONDUITS ET DU CÂBLAGE

- Déterminez l'emplacement exact de la hotte aspirante.
- Localisez le gabarit fourni avec la notice.
- Mesurez 36 po du sol jusqu'au dessus de la surface de cuisson. Ajoutez la hauteur d'installation de la hotte, telle que déterminée en page 25. Marquez cet emplacement.
- Fixez le gabarit à l'aide de ruban adhésif le long de la ligne au crayon. **VÉRIFIEZ QUE LE GABARIT EST DE NIVEAU.**
- Utilisez un niveau pour tracer une ligne droite verticale, de la ligne médiane du gabarit jusqu'au plafond.

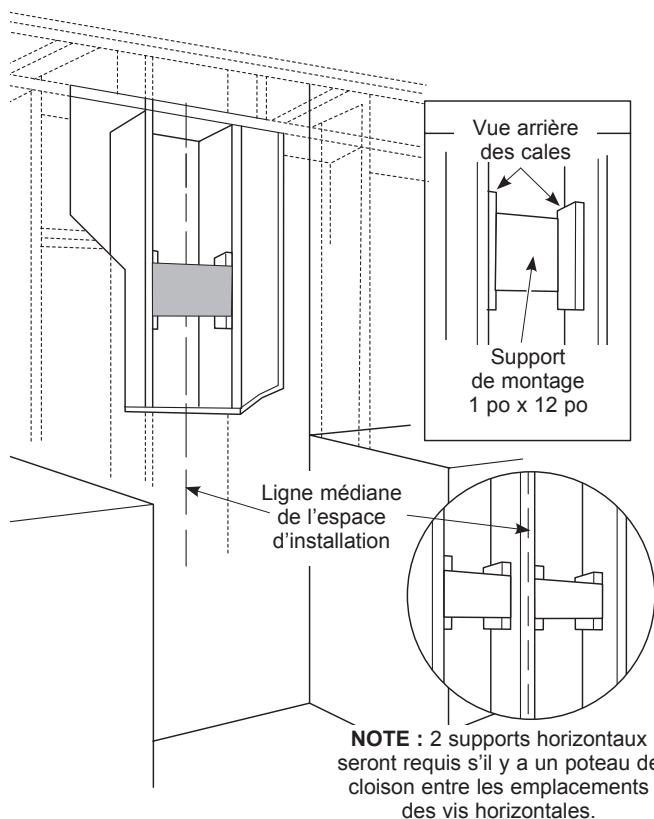


EMPLACEMENT DU CÂBLAGE DU DOMICILE :

- La boîte de jonction est située à l'intérieur de la hotte sur le côté supérieur gauche.
- Les fils peuvent arriver du mur arrière ou du plafond au-dessus de l'emplacement du support supérieur. Faites passer les longueurs de fils supplémentaires pour atteindre la boîte de jonction.

1 INSTALLATION DU CADRE POUR LE SUPPORT DE LA HOTTE

IMPORTANT : La hotte doit être fixée à un support à l'arrière ou à un poteau de cloison. Le cadre doit être capable de supporter 45 kg (100 livres).



En présence d'une cloison sèche, marquez les emplacements des trous de vis pour les supports de montage supérieurs. Retirez le gabarit.

- Faites une découpe suffisamment grande dans la cloison sèche pour exposer 2 poteaux verticaux à l'emplacement du support indiqué sur le gabarit.
- Installez un support horizontal aux dimensions de 1 po x 12 po entre les deux poteaux de cloison à l'emplacement de la vis de montage. **Le support horizontal doit être encastré dans le côté pièce des poteaux de cloison.** Placez des cales derrière les deux côtés du support afin de fixer les poteaux de cloison.

IMPORTANT : Réinstallez la cloison sèche pour obtenir une surface de montage régulière.

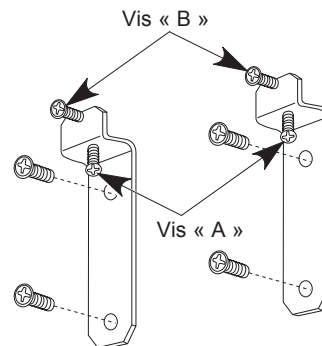
Instructions d'installation

INSTALLATION – RECYCLAGE

2 INSTALLATION DES SUPPORTS DE MONTAGE

La hotte doit être fixée à un support à l'arrière ou à un poteau de cloison.

- Une fois le gabarit en place, utilisez un poinçon pour marquer les emplacements des vis des supports de montage.
- Percez des trous d'1/8 po aux 6 emplacements poinçonnés.
- Retirez le gabarit.
- Agrandissez les trous n'ayant pas atteint les poteaux de cloison à 3/8 po et enfoncez des ancrages dans les trous pour les chevilles murales.
 - Vissez les vis dans les chevilles pour permettre l'expansion des ancrages dans le mur. Retirez les vis pour l'installation finale.
- Fixez les supports de montage dans les poteaux de cloison à l'aide des vis à bois fournies.

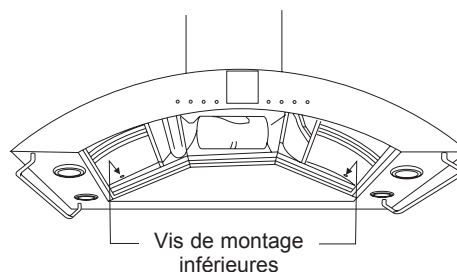
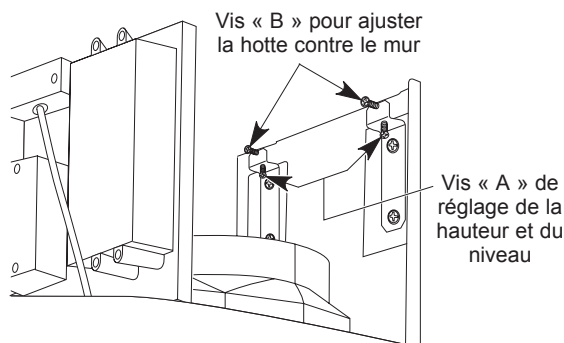


NOTE : Les vis « A » et « B » sont préassemblées sur les supports. Ne retirez pas ces vis.

3 INSTALLATION DE LA HOTTE

Placez la hotte sur les supports et faites-la glisser de gauche à droite pour aligner les fentes rectangulaires sur le dessus.

- Ajustez la hauteur d'installation en serrant ou en desserrant les vis "A" sur le bas des supports.
- Alignez les trous de montage inférieurs de la hotte avec les trous de guidage dans le mur.
- En utilisant deux grande rondelles (fournies), placez, sans les serrer, les vis à bois ou les vis de fixation au mur dans les trous de montage inférieurs. Ne les serrez pas.
- Mettez la hotte de niveau en serrant ou en desserrant les vis "A" situées sur les supports de montage inférieurs.
- Serrez les vis de montage inférieures.
- Serrez les vis "B" situées sur le haut du support de montage contre la hotte pour ajuster sa position.
Ne serrez pas trop les vis.



Instructions d'installation

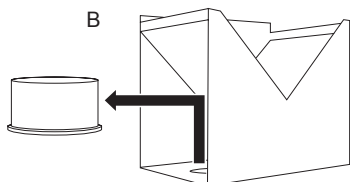
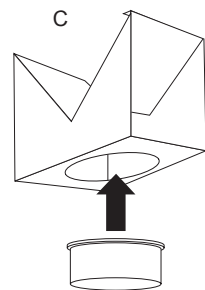
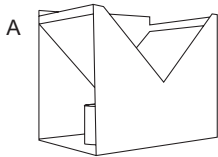
INSTALLATION – RECYCLAGE

4 ASSEMBLAGE DU DÉFLECTEUR ET DU CONNECTEUR

A. Le connecteur de conduit est expédié à l'intérieur du déflecteur.

B. Retirez le connecteur en plastique du déflecteur.

C. Retournez le connecteur en plastique. Par le dessous, placez le connecteur sur l'ouverture comme indiqué.



Retirez le connecteur en plastique

Positionnez-le

5 DIMENSIONNEMENT DES SECTIONS DE CONDUIT

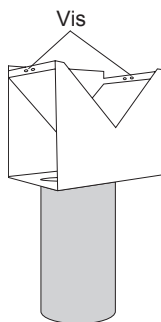
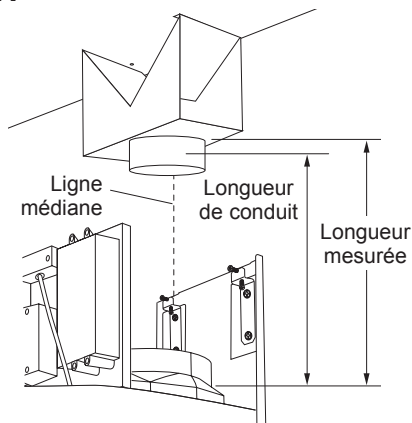
■ Maintenez le déflecteur d'air avec le connecteur de conduit contre le plafond. Alignez l'ouverture à l'arrière du déflecteur avec la ligne médiane marquée.

■ Mesurez la longueur du bas du déflecteur jusqu'à la partie supérieure de la hotte, comme indiqué. Réduisez cette dimension d'1 po pour faciliter l'installation. Le conduit recouvrira/se superposera au connecteur et à la sortie de la hotte.

■ Découpez le conduit à la longueur requise et faites le glisser sur le bas du connecteur de conduit.

■ Utilisez du ruban adhésif renforcé pour fixer les parties du conduit au connecteur.

■ Installez temporairement les 2 petites vis du cache conduit sur les côtés du déflecteur. Retirez ensuite les vis. Ceci facilitera leur installation finale.



Déflecteur à air

6 INSTALLATION DU DÉFLECTEUR D'AIR

■ Placez l'ensemble sur la sortie de la hotte.

■ Maintenez l'ensemble contre le plafond. La ligne médiane tracée au crayon doit apparaître dans la fente dans le déflecteur. Marquez les deux trous de vis au dos de l'ensemble.

■ Retirez l'ensemble et percez des trous de guidage de 1/8 po dans les poteaux de cloison.

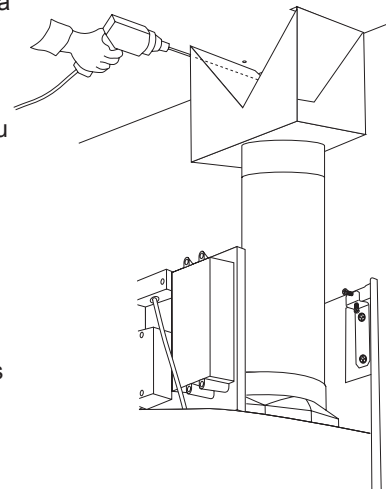
■ Agrandissez les trous qui ne pénètrent pas dans les poteaux jusqu'à un diamètre de 3/8 po et enfoncez-y des ancrages en plastique ou métalliques, affleurant le mur.

■ Installez l'ensemble sur la sortie de la hotte, contre le plafond et enfitez les vis fournies.

■ Utilisez du ruban adhésif renforcé pour rendre le raccord étanche.

⚠ ATTENTION

N'utilisez pas de vis à tôle au niveau du raccord hotte-conduit. Ceci empêcherait le bon fonctionnement du registre. Utilisez uniquement du ruban adhésif pour assurer l'étanchéité du raccord.



Instructions d'installation

INSTALLATION – RECYCLAGE

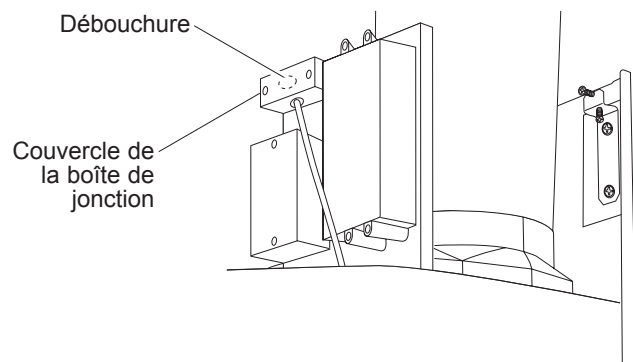
7 BRANCHEMENT ÉLECTRIQUE

Vérifiez que l'alimentation électrique est coupée à la source.

▲ AVERTISSEMENT

Si le circuit de la maison n'est pas équipé de 2 brins et d'un fil de terre, l'installateur doit poser un fil de terre. Si les fils sont en aluminium, prenez soin d'utiliser des connecteurs conçus pour le raccordement du cuivre à l'aluminium avec une pâte antioxydante approuvée par l'UL.

- Retirez le couvercle de la boîte de jonction et la débouchure sélectionnée.

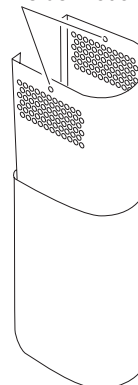


- Fixez le câblage domestique à la boîte de jonction avec un réducteur de tension.
- Connectez le câble blanc au câble blanc du circuit de dérivation.
- Connectez le câble noir au câble noir du circuit de dérivation.
- Connectez le câble vert/jaune au câble vert ou au câble dénudé de terre du circuit de dérivation.
- Fixez toutes les connexions à l'aide de serre-fils sur chaque connecteur électrique.
- Poussez doucement les fils dans la boîte de jonction et remettez le couvercle. Veillez à ne pas pincer les fils.
- Fixez le couvercle de la boîte de jonction avec les 2 vis d'origine.

8 INSTALLATION DU CACHE CONDUIT ET DES BARRES À USTENSILES

- Assemblez les caches conduit comme indiqué.

Trous pour vis de fixation

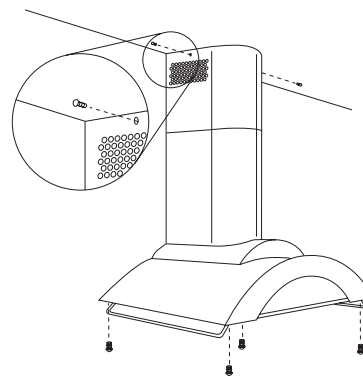


Pour cette installation fonctionnant en recyclage, les trous de ventilation doivent être orientés vers le haut. **Les trous de ventilation sont visibles pour permettre l'entrée du flux d'air dans la pièce.**

- Insérez les caches conduit assemblés dans les impressions dans le haut de la hotte.
- Tirez le cache conduit intérieur vers le haut jusqu'à atteindre le plafond et le support.

Installez l'accessoire en option ZX7510SPSS
(si nécessaire pour des hauteurs de plafond plus importantes)

- Séparez le cache conduit fourni en deux parties. Jetez la section inférieure (extérieure).
- Faites glisser le nouveau cache conduit ZX7510SPSS dans la section supérieure d'origine. Assurez-vous que les trous de ventilation sont dans la partie supérieure.
- Insérez les caches conduit assemblés dans les impressions dans le haut de la hotte.
- Fixez le cache conduit par le haut au déflecteur à air à l'aide des 2 vis fournies.
- Installez les barres latérales à ustensiles comme indiqué avec les vis fournies.



Instructions d'installation

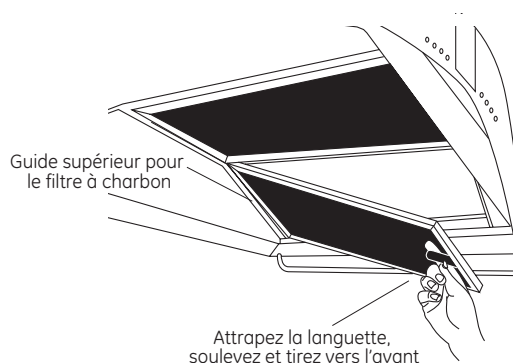
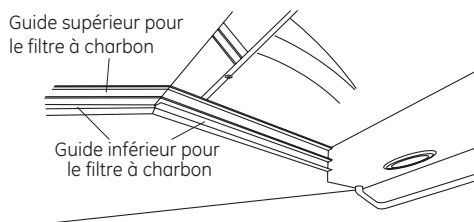
INSTALLATION – RECYCLAGE

9 INSTALLATION DES FILTRES

- Il y a deux guides à l'intérieur de la hotte à l'avant et à l'arrière. Ces guides maintiennent les filtres à charbon et les filtres à graisse en acier inoxydable en place.

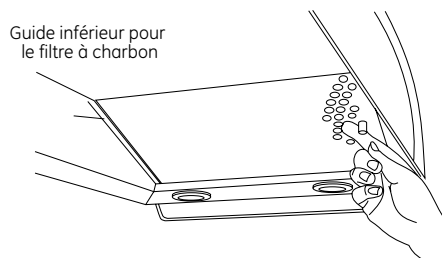
Installation des filtres à charbon

- Retirez le film protecteur des filtres à charbon.
- Inclinez les filtres à charbon dans les guides supérieurs à l'arrière de l'ouverture. Attrapez la languette du filtre, soulevez-le et tirez-le vers l'avant jusqu'à ce que le filtre repose sur le guide supérieur avant.
- Installez les 3 filtres à charbon.



Installation des filtres à graisse

- Retirez le film protecteur des filtres à graisse.
- Inclinez le filtre à graisse dans le guide inférieur à l'arrière de l'ouverture. Poussez-le vers l'arrière, soulevez, puis tirez le bouton vers l'avant jusqu'à ce que le filtre repose sur le guide.
- Installez les 3 filtres à graisse.
- Allumez la hotte. Si le voyant du filtre sur le panneau de commande est allumé, ajustez le filtre droit dans le guide pour engager le microrupteur.



10 FINALISATION DE L'INSTALLATION

- Retirez le film protecteur recouvrant le tableau de commande sur l'avant de la hotte ainsi que tous les matériaux d'emballage.
- Assurez-vous que les filtres sont correctement positionnés et que le voyant des filtres n'est pas allumé.
- Assurez-vous du bon fonctionnement du ventilateur et de l'éclairage. Référez-vous au Manuel d'Utilisation pour les consignes d'utilisation et le tableau de résolution des problèmes.

Notes

Información de seguridad

LEA Y GUARDE ESTAS INSTRUCCIONES

ANTES DE COMENZAR

Lea estas instrucciones por completo y con detenimiento.

■ **IMPORTANTE** — Guarde estas instrucciones para el uso de inspectores locales.

■ **IMPORTANTE** — Cumpla con todos los códigos y ordenanzas vigentes.

■ **Nota al instalador** — Asegúrese de dejar estas instrucciones con el Consumidor.

■ **Nota al consumidor** — Mantenga estas instrucciones con el Manual del Propietario para referencia futura.

■ **Nivel de capacidad** — La instalación de este aparato requiere capacidades mecánicas y eléctricas básicas.

■ **Tiempo de finalización** — de 1 a 3 horas.

■ El instalador tiene la responsabilidad de efectuar una instalación adecuada. La garantía no cubre las fallas del producto debido a una instalación incorrecta.

Para servicio técnico local Monogram en su área, llame al 1.800.444.1845.

Para servicio técnico Monogram en Canadá, llame al 1.800.561.3344.

Para piezas y accesorios Monogram, llame al 1.800.626.2002.

▲ PRECAUCIÓN Debido al peso y tamaño de estas campanas de ventilación y para reducir el riesgo de lesiones personales o daños al producto, **SE NECESITAN DOS PERSONAS PARA REALIZAR UNA INSTALACIÓN CORRECTA.**

▲ ADVERTENCIA Para reducir el riesgo de incendio o descarga eléctrica, no utilice esta campana para estufa con ningún dispositivo de control de velocidad externo de estado sólido. Cualquier clase de modificación del cableado original de fábrica podría provocar daños a la unidad y/o crear un peligro de seguridad eléctrico.

PARA REDUCIR EL RIESGO DE INCENDIO, SÓLO UTILICE CONDUCTOS DE METAL.

▲ ADVERTENCIA **PARA REDUCIR EL RIESGO DE INCENDIO, DESCARGA ELÉCTRICA O LESIONES A PERSONAS, CUMPLA CON LOS SIGUIENTES PUNTOS:**

- A. Utilice esta unidad sólo de la manera concebida por el fabricante. Si tiene alguna pregunta, comuníquese con el fabricante.
- B. Antes de realizar reparaciones o limpiar la unidad, desconecte la energía del panel de servicio y bloquee los medios de desconexión para evitar el accionamiento de la energía de manera accidental. Cuando los medios de desconexión de servicio no pueden bloquearse, coloque sobre el panel de servicio un dispositivo de advertencia bien visible, como una etiqueta.

▲ PRECAUCIÓN **SÓLO PARA USO DE VENTILACIÓN GENERAL. NO LO UTILICE PARA VENTILAR MATERIALES PELIGROSOS NI MATERIALES O VAPORES EXPLOSIVOS.**

▲ ADVERTENCIA **PARA REDUCIR EL RIESGO DE INCENDIO, DESCARGA ELÉCTRICA O LESIONES A PERSONAS, CUMPLA CON LOS SIGUIENTES PUNTOS:**

- El trabajo de instalación y el cableado eléctrico deben realizarlo personas calificadas en cumplimiento con todos los códigos y normas aplicables, incluyendo construcción con clasificación para incendios.
- Se necesita suficiente aire para una combustión y escape de gases adecuados a través de la ventilación (chimenea) de equipamiento de combustión de combustible para evitar la contracorriente. Siga las pautas y normas de seguridad de fabricante del equipamiento de calefacción, tales como las publicadas por la Asociación Nacional de Protección contra Incendios (NFPA), la Sociedad Estadounidense de Ingenieros en Calefacción, Refrigeración y Aire Acondicionado (ASHRAE) y las autoridades de códigos locales. Cuando corresponda, instale un sistema de reposición (reemplazo) de aire de acuerdo con los requisitos del código local de construcción. Para acceder a soluciones de aire disponibles, visite GEAppliances.com.
- Cuando realice cortes o perforaciones dentro de paredes o cielorrasos, no dañe el cableado eléctrico ni otros servicios públicos ocultos.
- Los sistemas de conductos siempre deben contar con una salida al exterior.
- Los códigos locales pueden variar. La instalación de conexiones eléctricas y a tierra debe cumplir con los códigos aplicables. Si no existieran códigos locales, la ventilación deberá instalarse en cumplimiento con el Código Eléctrico Nacional ANSI/NFPA 70-1990 o la última edición.

▲ PRECAUCIÓN Para reducir el riesgo de incendio o para que el aire se ventile de manera adecuada, asegúrese de que el aire salga al exterior; no ventile aire de escape en espacios dentro de paredes o cielorrasos o dentro de áticos, huecos sanitarios o garajes.

Información de diseño

CONTENIDOS

Información de diseño

Modelos disponibles.....	38
Dimensiones del producto.....	38

Planificación previa

Planificación de los conductos	39
Armazones de pared para un soporte adecuado	39
Planificación previa	39

Preparación para la instalación

Accesorios de los conductos.....	40
Suministro de energía	41
Herramientas y materiales requeridos	41
Quite el envoltorio	42
Controle las piezas de instalación.....	42
Establezca la altura de instalación.....	43

Instrucciones de instalación

Instalación – Ventilación hacia el exterior.....	44–48
Paso 1, Instale el marco para el soporte de la campana	44
Paso 2, Instale los soportes de montaje.....	45

Paso 3, Instale la campana.....	45
Paso 4, Instale el soporte del conducto	46
Paso 5, Conecte los conductos.....	47
Paso 6, Conecte los elementos eléctricos	47
Paso 7, Instale la cubierta de conducto y barras para utensilios	48
Paso 8, Instale los filtros	48
Paso 9, Finalice la instalación.....	48
Instalación – Recirculación.....	49–53
Paso 1, Instale el marco para el soporte de la campana	49
Paso 2, Instale los soportes de montaje.....	50
Paso 3, Instale la campana.....	50
Paso 4, Arme el deflector y el conector	51
Paso 5, Mida la pieza del conducto	51
Paso 6, Instale el montaje del deflector de aire.....	51
Paso 7, Conecte los elementos eléctricos	52
Paso 8, Instale la cubierta de conducto y barras para utensilios	52
Paso 9, Instale los filtros	53
Paso 10, Finalice la instalación.....	53

MODELOS DISPONIBLES

Modelo ZV750

Modelo ZV755

Estas campanas pueden instalarse con ventilación hacia el exterior, o pueden instalarse para realizar una operación de recirculación. Todas las piezas necesarias para la operación de recirculación se incluyen con la campana. No se requieren kits adicionales.

- Estas campanas de ventilación pueden instalarse sobre cualquier estufa eléctrica o a gas Monogram de 30" o

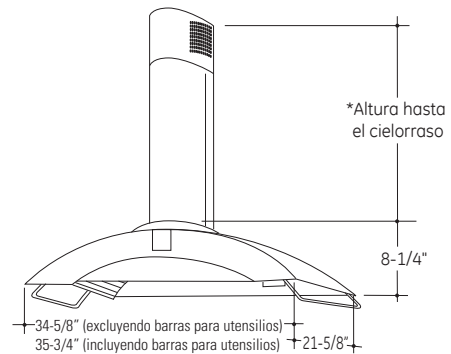
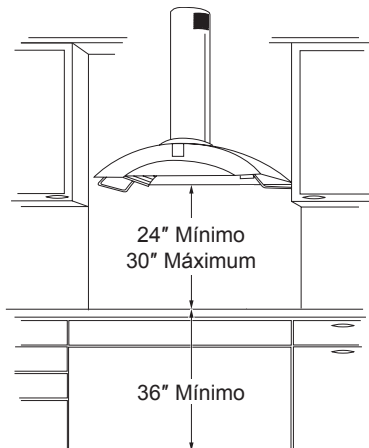
36", con excepción de las estufas o cocinas Monogram Professional mayores a 30".

- Las cubiertas del conducto reversibles pueden utilizarse para la operación de recirculación.
- Las cubiertas del conducto plegables ocultan los conductos que van desde la parte superior de la campana hasta el cielorraso.
- La cubierta del conducto suministrada puede alcanzar una altura de hasta 9' o más, dependiendo de la instalación. Ver la tabla de la página 43.

DIMENSIONES Y MARJENS DEL PRODUCTO

La campana de ventilación debe instalarse a un mín. de 24" y un máx. de 30" sobre la superficie de cocción.

NOTA: La altura de instalación debe medirse desde la superficie de cocción hasta la parte más baja de la campana.



ZV7510SPSS Accesorio de cubierta de conducto

Este accesorio se encuentra disponible para instalaciones con cielorrasos de una altura de 9' a 10' o más. Ver la tabla de la página 43.

El accesorio de cubierta de conducto debe encontrarse en el sitio con la campana en el momento de la instalación.

Planificación previa

PLANIFICACIÓN DE LOS CONDUCTOS

- Esta campana está diseñada para ventilarse en forma vertical a través del cielorraso. Utilice codos suministrados en forma local para ventilación horizontal a través de la pared trasera.
- Determine la ubicación exacta de la campana de ventilación.
- Planifique el recorrido de la salida de ventilación hacia el exterior.
- Utilice el recorrido de conductos más corto y más recto posible. Para un desempeño satisfactorio, el recorrido de los conductos no debe superar una longitud equivalente a los 100' para ninguna configuración de conductos.
- Consulte la tabla "Accesorios de conductos" para calcular la longitud máxima permisible para recorridos de conductos hacia el exterior.
- Sólo use conductos de metal rígidos.
- Esta campana de ventilación debe utilizar un conducto redondo de 6". El conducto de 6" puede conectarse a otros de 3-1/4" x 10" o 3-1/4" x 12".
- Instale el conducto doméstico para que corra en forma horizontal entre las vigas del cielorraso o en forma recta a través del techo.
- Instale una cubierta de pared o casquete de techo con un regulador de tiro en la abertura exterior. Solicite por adelantado la cubierta de pared o el casquete de techo y cualquier transición o longitud de conducto necesarios.
- Cuando corresponda, instale un sistema de reposición (reemplazo) de aire de acuerdo con los requisitos del código local de construcción. Para acceder a soluciones de aire disponibles, visite GEAppliances.com.

▲ ADVERTENCIA PARA REDUCIR EL RIESGO DE INCENDIO, SÓLO UTILICE CONDUCTOS DE METAL RÍGIDOS.

ARMAZONES DE PARED PARA UN SOPORTE ADECUADO

- Esta campana de ventilación es pesada. Debe contarse con un soporte estructural adecuado. Esta campana debe fijarse a columnas verticales de la pared. Ver página 44 o 49.
- Recomendamos enfáticamente que la campana de ventilación con cubierta de conducto se encuentre en el lugar antes de colocar los armazones y efectuar el acabado de la pared. Esto también ayudará a ubicar con precisión los conductos y el servicio eléctrico.
- La instalación resultará más fácil si la campana de ventilación se instala antes que la estufa y el mostrador de encimera.

PLANIFICACIÓN PREVIA

Su instalación de campana puede necesitar un accesorio de cubierta de conductos dependiendo de la altura del cielorraso.

Preparación para la instalación

ACCESORIOS DE CONDUCTOS

Esta campana debe usar un conducto redondo de 6". Puede conectarse con un conducto de 3-1/4" x 10" o de 3-1/4" x 12".

Utilice esta tabla para calcular las longitudes máximas permitidas para recorridos de conductos hacia el exterior.

NOTA: ¡No supere las longitudes equivalentes máximas permitidas!





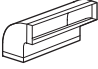
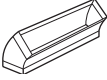

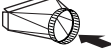
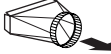
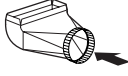
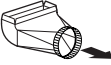
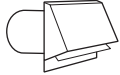


Longitud máxima de conducto: 100 pies para campanas de cocinas.

Conductos flexibles:

Si se utilizan conductos flexibles de metal, todos los valores equivalentes en pies de la tabla deben duplicarse. El conducto flexible de metal debe ser recto y liso y debe extenderse lo máximo posible.

NO USE conductos flexibles de plástico.

NOTA: Cualquier sistema de ventilación doméstico, como una campana de ventilación, puede interrumpir el flujo adecuado de aire de combustión y de escape requerido para chimeneas, hornos a gas, calentadores de agua a gas y otros sistemas de ventilación natural. Para minimizar las posibilidades de interrupción de tales sistemas de ventilación natural, siga las pautas y normas de seguridad del fabricante del equipamiento de calefacción, tales como las publicadas por NFPA y ASHRAE. Cuando corresponda, instale un sistema de reposición (reemplazo) de aire de acuerdo con los requisitos del código local de construcción. Para acceder a soluciones de aire disponibles, visite GEAppliances.com.

Pieza de conducto	Dimensiones	Longitud equivalente*	Cantidad utilizada	Longitud equivalente total
	Redonda, recta	1 pie (por longitud de pie)		
	3-1/4" x 10" recta	1 pie (por longitud de pie)		
	Codo de 90°	12 pies		
	Codo de 45°	7 pies		
	3-1/4" x 10" Codo de 90°	14 pies		
	3-1/4" x 10" 3-1/4" x 12" Codo de 45°	8 pies 6 pies		
	3-1/4" x 10" 3-1/4" x 12" Codo plano de 90°	33 pies 24 pies		
	Conducto redondo de 6" a rectangular	2 pies		
	Rectangular a redondo de 8"	2 pies		
	3-1/4" x 10" 3-1/4" x 12" Conducto redondo de 6" a rectangular Codo de 90° de transición	4 pies 4 pies		
	3-1/4" x 10" 3-1/4" x 12" Rectangular a redondo de 6" Codo de 90° de transición	4 pies 4 pies		
	Cubierta de pared redonda con regulador de tiro	24 pies		
	3-1/4" x 10" 3-1/4" x 12" Cubierta de pared rectangular con regulador de tiro	24 pies 18 pies		
	Casquete de techo redondo	33 pies		

*Longitud real del conducto recto más equivalente de accesorio de conducto. La longitud equivalente de las piezas de conductos se encuentra basada en pruebas reales realizadas por el grupo de Ingeniería de Evaluación de GE y reflejan los requisitos para un buen desempeño de ventilación con cualquier campana de ventilación.

Recorrido total de los conductos _____

Preparación para la instalación

SUMINISTRO DE ENERGÍA

IMPORTANTE – (Tenga a bien leer cuidadosamente)

⚠ WARNING PARA SEGURIDAD PERSONAL, ESTE APARATO DEBE CONECTARSE A TIERRA DE MANERA ADECUADA.

Quite el fusible o abra el interruptor de circuitos antes de comenzar la instalación.

No utilice un cable de extensión o un enchufe adaptador con este artefacto. Siga el Código Eléctrico Nacional o los códigos y ordenanzas locales vigentes.

Suministro eléctrico

Esta campana de ventilación deben contar con un suministro de 120V, 60Hz, y debe estar conectada a un circuito derivado individual con una adecuada conexión a tierra y debe contar con la protección de un interruptor de circuito o un fusible con retraso de 15 o 20 amperios.

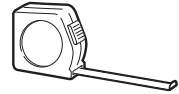
- El cableado debe ser de 2 hilos con conexión a tierra.
- Si el suministro eléctrico no cumple con los requisitos anteriores, llame a un electricista con licencia antes de continuar.
- Dirija el cableado doméstico lo más cercano a la instalación posible. El cableado puede ingresar desde el cielorraso o la pared trasera. Dirija la longitud adicional desde el cielorraso o la pared para alcanzar la caja de conexiones.
- Conecte el cableado al cableado doméstico en cumplimiento con los códigos locales.

Instrucciones de conexión a tierra

El conductor a tierra debe conectarse a un metal con conexión a tierra, un sistema de cableado permanente o una terminal o conductor de conexión a tierra en la campana.

⚠ ADVERTENCIA Una conexión inadecuada del conductor de conexión a tierra del equipamiento puede provocar un riesgo de descarga eléctrica. Consulte a un electricista calificado o representante de servicio técnico si tiene dudas sobre la correcta conexión a tierra del aparato.

HERRAMIENTAS Y MATERIALES REQUERIDOS (No Suministrados)



Lápiz y cinta métrica



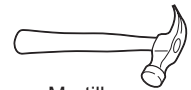
Gafas de seguridad



Guantes



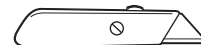
Nivel de burbuja de aire



Martillo



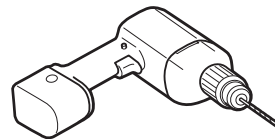
Destornillador de estrella



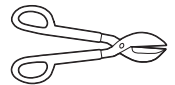
Cuchillo de uso general



Linterna



Perforadora eléctrica con brocas de 1/8", de estrella N° 2 y cabeza plana



Tijeras para metal



Alicates



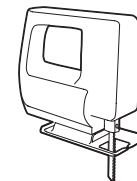
Escalera



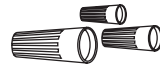
Cinta adhesiva



Alicate pelacables



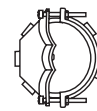
Sierra sable o serrucho de calar



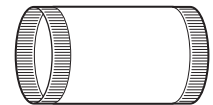
Tapones de alambre aprobados por UL



Cinta aislante de aluminio



Alivio de tensión para la caja de conexiones



Conducto de metal redondo de 6" longitud suficiente para la instalación



Cable de 120V, 60Hz, 15 o 20 amperios de 2 hilos con circuito derivado con conexión a tierra

Preparación para la instalación

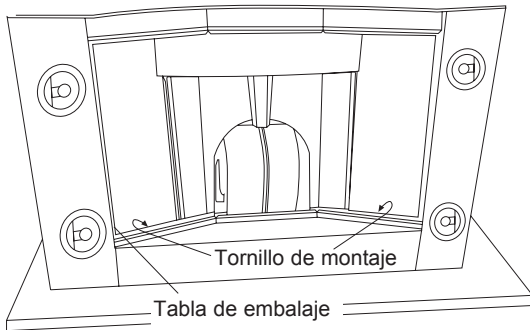
QUITE EL ENVOLTORIO

⚠ PRECAUCIÓN

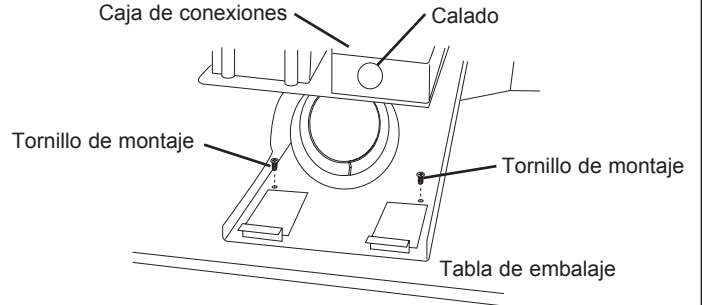
Use guantes para protegerse de lados afilados.

La campana de ventilación se envía sujeta a una tabla de embalaje con 4 tornillos.

- Quite la cubierta de conductos, la caja de piezas y el embalaje de poliestireno.
- Levante y quite la campana de la caja.
- Quite y deseche adecuadamente el envoltorio plástico.
- Quite los filtros de grasa metálicos y el envoltorio de la barra lateral.



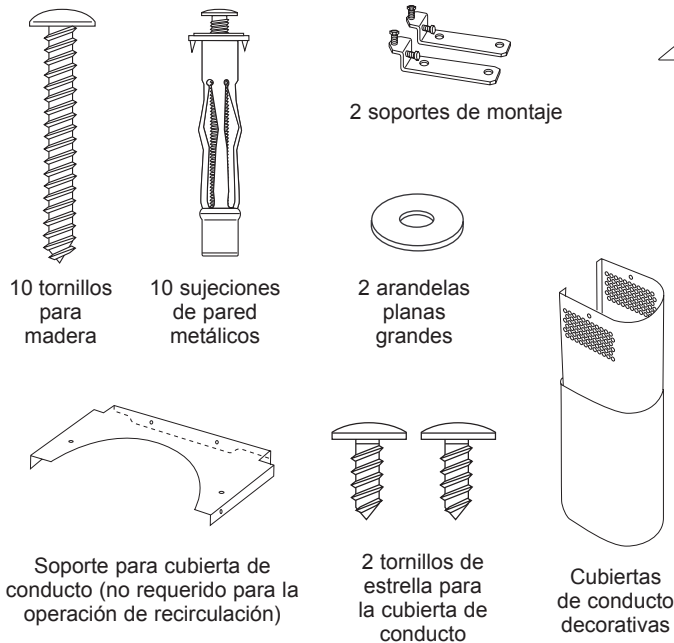
- Para quitar la tabla de embalaje, ubique y quite los 2 tornillos ubicados en la parte superior del montaje y los 2 tornillos ubicados dentro de la campana detrás de las guías del filtro sobre los lados izquierdo y derecho. Descarte la tabla de embalaje.



- Quite la tapa de la caja de conexiones.
- Quite el calado de la caja de conexiones.
- Instale el alivio de tensión en la caja de conexiones.

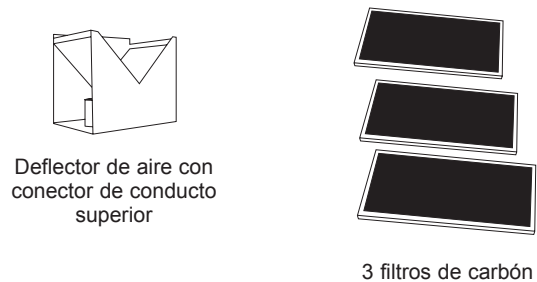
CONTROLE LAS PIEZAS DE INSTALACIÓN

Ubique la caja de piezas embalada con la campana y verifique los contenidos.



NOTA: Se necesitan herramientas, materiales y piezas de ferretería adicionales para construir el soporte de armazón de pared.

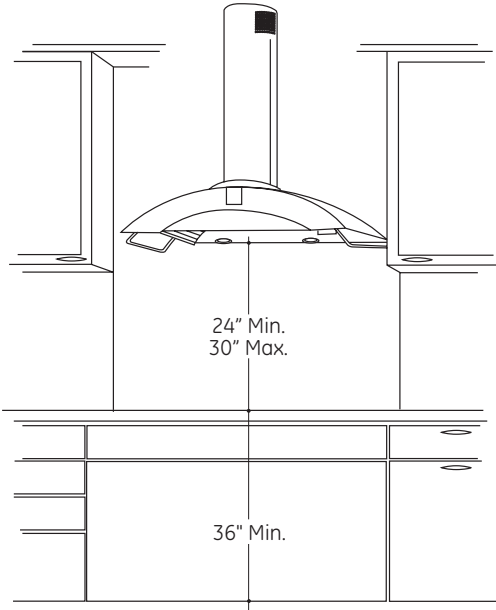
Piezas adicionales para la operación de recirculación



Preparación para la instalación

DETERMINE LA ALTURA DE INSTALACIÓN

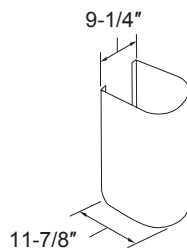
- Se ofrecen cubiertas de conducto plegables para ocultar los conductos que se extienden hasta el cielorraso.
- Esta campana puede instalarse para una operación de recirculación o ventilación. Todas las piezas necesarias se envían con la campana.



NOTA: La altura de instalación debe medirse desde la superficie de cocción hasta la parte inferior de la campana.

La campana de ventilación debe instalarse a un mín. de 24" y un máx. de 30" sobre la superficie de cocción. La altura de instalación de la campana, desde la superficie de cocción hasta la parte inferior de la campana, depende de la altura del cielorraso y de las limitaciones de la cubierta de conducto.

DIMENSIONES DE LA CUBIERTA DE CONDUCTO



ZX7510SPSS Accesorio de cubierta de conducto

Este accesorio se encuentra disponible para la instalación con alturas de cielorraso de 9 a 10 pies o más. Este accesorio consta de una cubierta de conducto inferior de 31-1/2".

Alturas de instalación de ZV750/ZV755

Cubierta de conducto superior (interior) (B)		24.25"
Cubierta de conducto inferior (exterior) (A)		18.5"
Accesorio de cubierta de conducto inferior (exterior) (A)		31.5"
Altura real del cielorraso	*VENTILADO Altura de instalación	*RECIRCULACIÓN Altura de instalación
7' 11"	24" a 28"	24" a 28"
8' 0"	24" a 29"	24" a 29"
8' 1"	24" a 30"	24" a 30"
8' 2"	24" a 30"	24" a 30"
8' 3"	24" a 30"	24" a 30"
8' 4"	24" a 30"	24" a 30"
8' 5"	24" a 30"	24" a 30"
8' 6"	24" a 30"	24" a 30"
8' 7"	24" a 30"	24" a 30"
8' 8"	24" a 30"	24" a 30"
8' 9"	25" a 30"	24" a 30"
8' 10"	26" a 30"	24" a 30"
8' 11"	27" a 30"	24" a 30"
9' 0"	28" a 30"	24" a 30"
9' 1"	29" a 30"	25" a 30"
9' 2"	30"	26" a 30"
9' 3"		27" a 30"
9' 4"		28" a 30"
9' 5"		29" a 30"
9' 6"		30"
9' 0"	24" a 30"	24" a 28"
9' 1"	24" a 30"	24" a 29"
9' 2"	24" a 30"	24" a 30"
9' 3"	24" a 30"	24" a 30"
9' 4"	24" a 30"	24" a 30"
9' 5"	24" a 30"	24" a 30"
9' 6"	24" a 30"	24" a 30"
9' 7"	24" a 30"	24" a 30"
9' 8"	24" a 30"	24" a 30"
9' 9"	24" a 30"	24" a 30"
9' 10"	25" a 30"	24" a 30"
9' 11"	26" a 30"	24" a 30"
10' 0"	27" a 30"	24" a 30"
10' 1"	28" a 30"	24" a 30"
10' 2"	29" a 30"	24" a 30"
10' 3"	30"	25" a 30"
10' 4"		26" a 30"
10' 5"		27" a 30"
10' 6"		28" a 30"
10' 7"		29" a 30"
10' 8"		30"

SUMINISTRADO

ZX7510SPSS (Se necesita accesorio de cubierta de conducto inferior de 31.5")

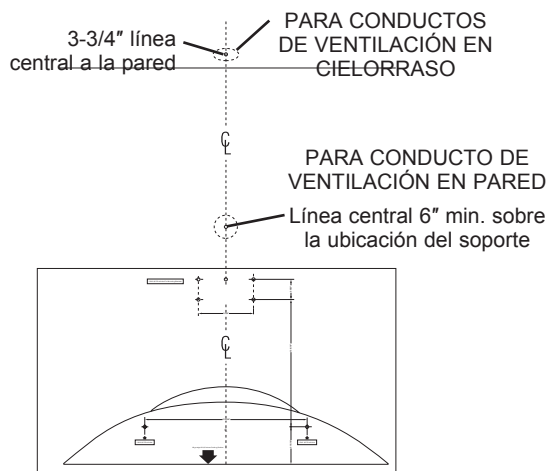
*Basado en una altura de mostrador de encimera de 36".

Instrucciones de instalación

INSTALACIÓN – VENTILACIÓN HACIA EL EXTERIOR

UBICACIONES DE LOS CONDUCTOS Y CABLEADO

- Determine la ubicación exacta de la campana de ventilación.
- Ubique la plantilla enviada con las instrucciones.
 - Mida 36" desde el piso hasta el extremo superior de la superficie de cocción. Agregue la altura de instalación de la campana determinada en la página 43. Marque esa ubicación.
 - Utilice un nivel para dibujar una línea recta en lápiz sobre la pared.**
 - Adhiera con cinta la plantilla en su posición a lo largo de la línea de lápiz. **ASEGÚRESE DE QUE LA PLANTILLA ESTÉ NIVELADA.**



Conductos en el cielorraso:

Si el conducto se ventilará directamente hacia el cielorraso:

- Utilice un nivel para dibujar una línea recta hacia arriba, desde la línea central de la plantilla hasta el cielorraso.
- Mida 3-3/4" desde la pared trasera hasta la línea central de un orificio de 6-1/2" en el cielorraso.

NOTA: Si no hay paredes de construcción en seco, agregue el espesor de las mismas a la dimensión de 3-3/4".

Conductos en la pared:

Si el conducto se ventilará hacia la parte trasera:

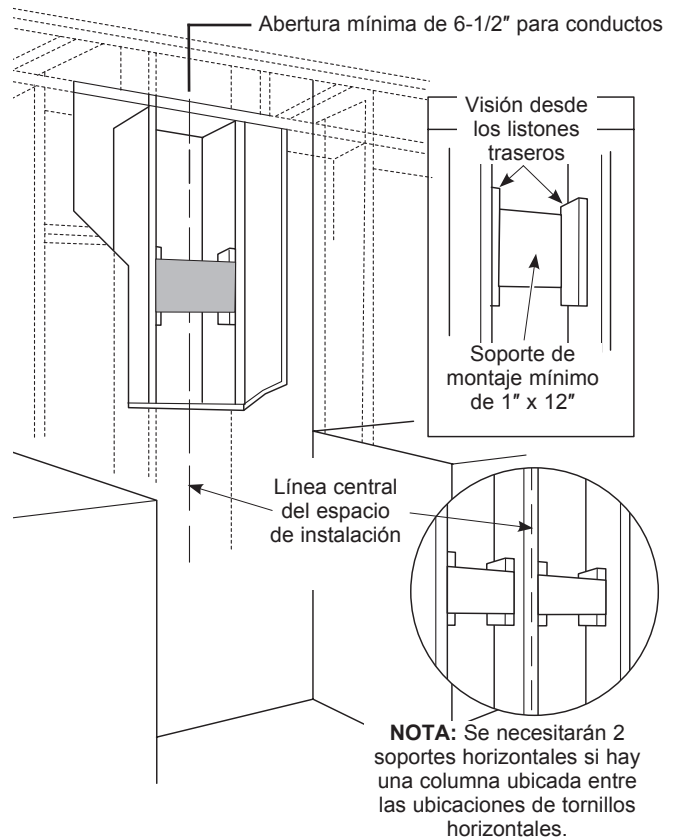
- Utilice un nivel para dibujar una línea recta hacia arriba, desde la línea central de la plantilla.
- Mida por lo menos 6" sobre la ubicación del soporte indicado en la plantilla hasta la línea central de un orificio de conductos de un diámetro de 6-1/2" (el orificio puede ser alargado para un codo del conducto).

UBICACIÓN DEL CABLEADO DOMÉSTICO:

- La caja de conexiones se encuentra en el lado superior izquierdo de la campana.
- El cableado puede ingresar desde la pared trasera o el cielorraso sobre la ubicación del soporte superior. Dirija la longitud adicional del cableado de modo que alcance la caja de conexiones.

1 INSTALE EL ARMAZÓN PARA EL SOPORTE DE LA CAMPANA

IMPORTANTE: La campana de ventilación debe fijarse al armazón trasero de soporte o a las columnas de la pared. El armazón debe poder soportar 100 lbs.



Si se cuenta con paredes de construcción en seco, marque las ubicaciones de los orificios para tornillos para los soportes de montaje superiores. Quite la plantilla.

- Corte suficiente pared de construcción en seco para exponer 2 columnas verticales en la ubicación del soporte indicada en la plantilla.
- Instale un soporte horizontal por lo menos 1" x 12" entre dos columnas de pared en la ubicación de tornillo de montaje. **El soporte horizontal debe encontrarse alineado con el lado de la habitación de las columnas.** Utilice listones detrás de ambos lados del soporte para sujetar a las columnas de pared.

IMPORTANTE: Vuelva a instalar la pared de construcción en seco para lograr una superficie de montaje pareja.

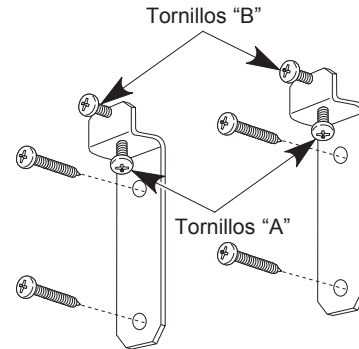
Instrucciones de instalación

INSTALACIÓN – VENTILACIÓN HACIA EL EXTERIOR

2 INSTALE LOS SOPORTES DE MONTAJE

La campana de ventilación debe fijarse al armazón trasero de soporte o a la columna de la pared.

- Con la plantilla adherida con cinta en su lugar, utilice una perforadora para marcar todas las ubicaciones de los tornillos de montaje.
- Perfore orificios piloto de 1/8" en las 6 ubicaciones marcadas.
- Quite la plantilla.
- Agrande los orificios que no ingresaron a las columnas a 3/8" y coloque los anclajes para las sujeciones de pared en los orificios.
 - Introduzca los tornillos dentro de las sujeciones para permitir que los anclajes se expandan contra el material de la pared. Quite los tornillos para la instalación final.
- Sujete los soportes de montaje a las columnas de la pared con los tornillos para madera provistos.

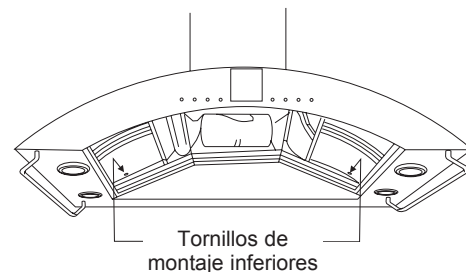
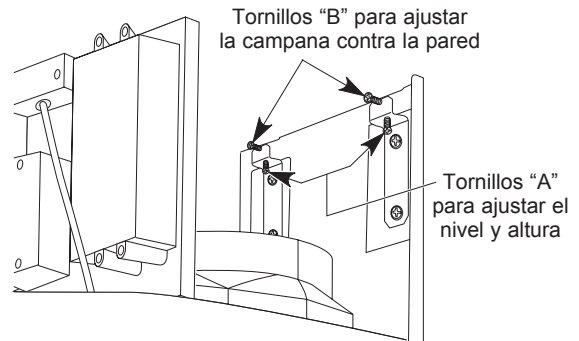


NOTA: Los tornillos "A" y "B" se montan en forma previa sobre los soportes. No quite estos tornillos.

3 INSTALE LA CAMPANA

Coloque la campana sobre los soportes y deslice de izquierda a derecha para alinearla con las ranuras rectangulares de la parte superior.

- Regule la altura de instalación ajustando o aflojando los tornillos "A" ubicados en la parte inferior de los soportes.
- Alinee los orificios de montaje inferiores de la campana con los orificios piloto de la pared.
- Utilizando dos arandelas grandes (suministradas), instale tornillos para madera o tornillos para sujeciones de pared, sin ajustar, dentro de los orificios de montaje inferiores. No ajuste.
- Nivele la campana ajustando o aflojando los tornillos "A" ubicados en los soportes de montajes inferiores.
- Ajuste los tornillos de montaje inferiores.
- Ajuste los tornillos "B" ubicados en la parte superior del soporte de montaje contra la campana para ajustar la posición. **No ajuste los tornillos de más.**



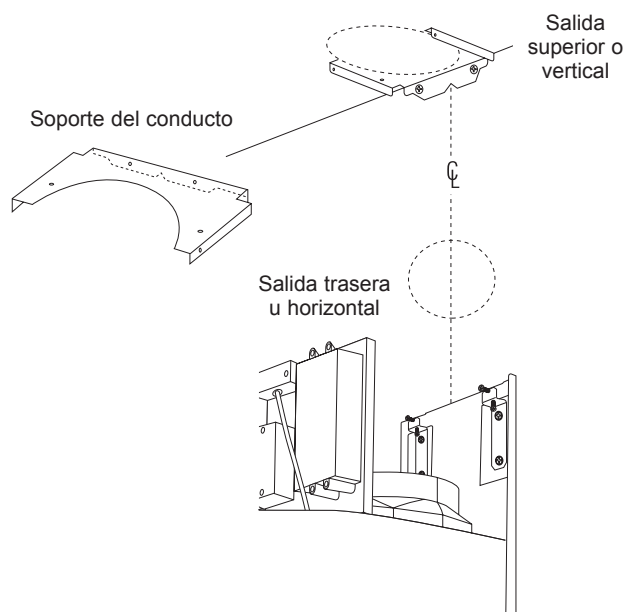
Instrucciones de instalación

INSTALACIÓN – VENTILACIÓN HACIA EL EXTERIOR

4 INSTALE EL SOPORTE DEL CONDUCTO

VENTILACIÓN HACIA LA PARTE TRASERA (SALIDA HORIZONTAL) O HACIA ARRIBA (SALIDA VERTICAL)

- Instale temporalmente los 2 tornillos pequeños en los costados del soporte de conducto. Quite los tornillos. Esto garantiza comodidad en la instalación final.
- Coloque el soporte del conducto superior contra la pared y cielorraso, alineado con la marca de lápiz de LC y la LC del soporte.
- Marque las ubicaciones de los 4 tornillos del soporte.
- Quite el soporte.
- Perfore orificios piloto de 1/8" en la ubicación marcada del soporte.
- Si los orificios piloto no entran en las columnas, agrande los orificios a 3/8" e instale anclajes de sujeción de pared. Introduzca los tornillos dentro de las sujeciones para permitir que los anclajes se expandan contra el material de la pared. Quite los tornillos.
- Sujete el soporte al cielorraso y la pared con tornillos para madera y/o tornillos de fijaciones de pared.

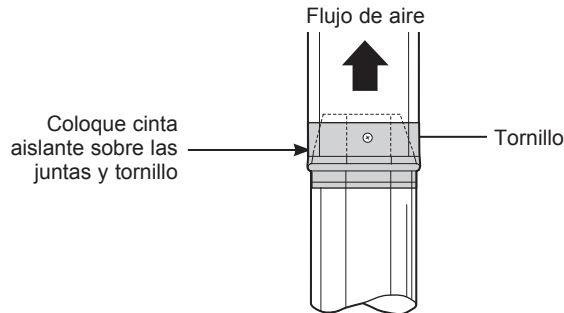


Instrucciones de instalación

INSTALACIÓN – VENTILACIÓN HACIA EL EXTERIOR

5 CONECTE LOS CONDUCTOS

- Quite la cinta de embalaje del regulador de tiro.
- Instale el conducto, realizando conexiones en la dirección del flujo de aire, como se ilustra.
- Presione el conducto sobre la salida de escape y el regulador de tiro.



⚠PRECAUCIÓN

No use tornillos para placas de metal en la conexión de salida. Si lo hace no funcionará bien el regulador de tiro. Selle la conexión sólo con cinta aislante.

- Ajuste las juntas del conducto con tornillos para placas de metal.
- Envuelva todas las juntas del conducto y las conexiones de la brida con cinta aislante de aluminio para un sellado hermético.

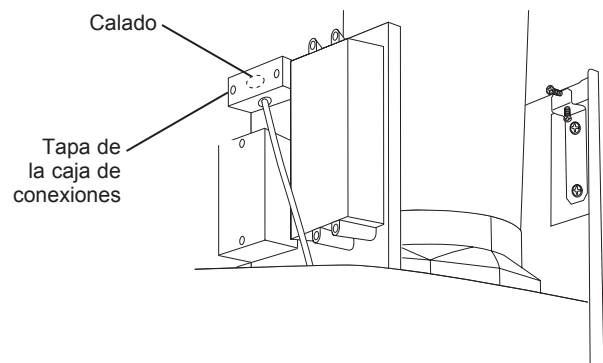
6 CONECTE LOS ELEMENTOS ELÉCTRICOS

Verifique que la energía esté cortada en la fuente.

⚠ADVERTENCIA

Si el cableado doméstico no cuenta con un cable de 2 hilos con conexión a tierra, un instalador debe realizar una conexión a tierra. Cuando el cableado doméstico es de aluminio, asegúrese de usar un compuesto antioxidante y conectores de aluminio a cobre aprobados por UL.

- Quite la tapa de la caja de conexiones y el calado seleccionado.



- Asegure el cableado doméstico a la caja de conexiones con un alivio de tensión (no provisto).
- Conecte el cable blanco al cable blanco del circuito derivado.
- Conecte el cable negro al cable negro del circuito derivado.
- Conecte el cable verde/amarillo al cable verde del circuito derivado o al cable de conexión a tierra.
- Ajuste todas las conexiones con tapones de alambre sobre cada conector eléctrico.
- Empuje los cables dentro de la caja de conexiones y vuelva a colocar la tapa. Verifique que los cables no sufran pellizcos.
- Ajuste la tapa de la caja de conexiones con los 2 tornillos originales.

Instrucciones de instalación

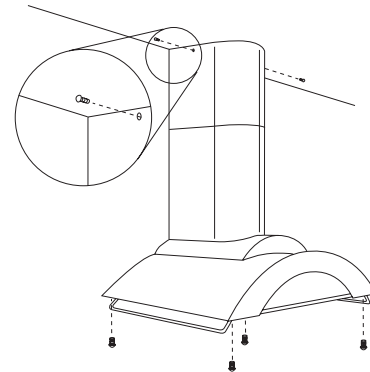
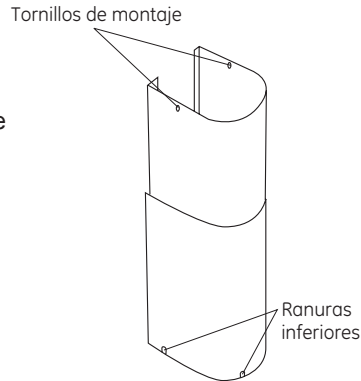
INSTALACIÓN – VENTILACIÓN HACIA EL EXTERIOR

7 INSTALE LA CUBIERTA DE CONDUCTO Y LAS BARRAS PARA UTENSILIOS

Instale las cubiertas de conducto como se indica.

Para esta instalación con ventilación, coloque la pieza de conducto superior dentro de la pieza de conducto inferior. Los orificios de ventilación de la cubierta de ventilación interior deben colocarse hacia el extremo inferior y no deben ser visibles.

- Introduzca las cubiertas de conducto armadas dentro de la impresión ubicada en la parte superior de la campana.
- Extienda la cubierta del conducto interior en dirección ascendente hacia el cielorraso y soporte. (Los orificios de ventilación no deben ser visibles en esta instalación).
- Fije la cubierta de conducto al soporte con los 2 tornillos pequeños para cubierta de conducto provistos.
- Instale las barras de utensilios laterales como se indica con los tornillos provistos.

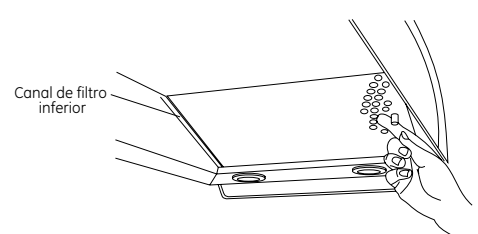
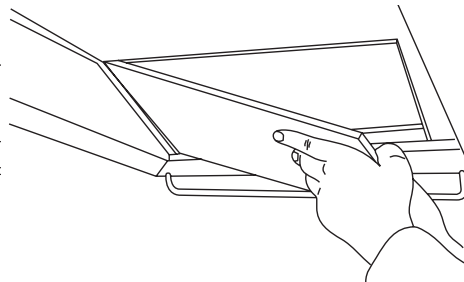
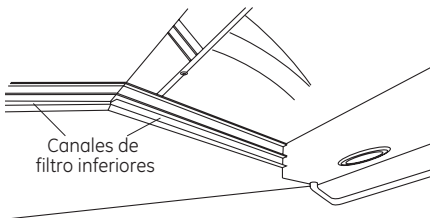


Instale el accesorio opcional ZX7510SPSS

(Si hace falta para alcanzar cielorrasos más elevados)

- Separe la cubierta de conducto provista en las diferentes piezas. Descarte la sección inferior (exterior).
- Deslice la nueva cubierta de conducto ZX7510SPSS en la sección superior original. Asegúrese de que la sección más larga se encuentra por fuera de la sección original más corta. Las ranuras se hallarán en la parte inferior y los orificios para tornillos en la superior, como se ilustra.
- Fije la cubierta de conducto al soporte con los 2 tornillos pequeños para cubierta de conducto provistos.

8 INSTALE LOS FILTROS



- Quite la película protectora de los filtros.
- Incline el filtro dentro del canal inferior en la parte trasera de la abertura, presione hacia atrás, levante y tire de la perilla hacia delante hasta que el filtro quede depositado sobre el canal.
- Instale los tres filtros de grasa metálicos.
- Encienda la energía. Si la luz del filtro del panel de control destella, ajuste el filtro del lado derecho en el canal para enganchar el brazo del interruptor.

9 FINALICE LA INSTALACIÓN

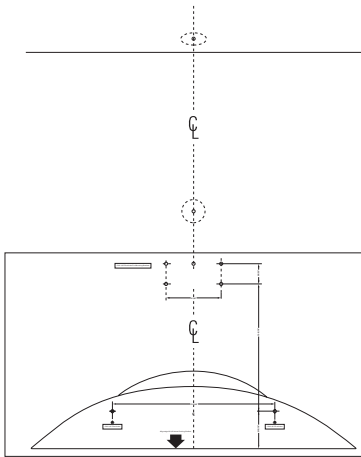
- Quite la película protectora que cubre el panel de control sobre la parte frontal de la campana y cualquier material de empaque restante.
- Asegúrese de que los filtros estén bien colocados y que la luz del filtro no esté encendida.
- Verifique que el ventilador y las luces funcionen correctamente. Consulte el Manual del propietario sobre instrucciones operativas y la solución de problemas.

Instrucciones de instalación

INSTALACIÓN – RECIRCULACIÓN

UBICACIONES DE LOS CONDUCTOS Y CABLEADO

- Determine la ubicación exacta de la campana de ventilación.
- Ubique la plantilla enviada con las instrucciones.
- Mida 36" desde el piso hasta el extremo superior de la superficie de cocción. Agregue la altura de instalación de la campana determinada en la página 43. Marque esa ubicación.
- Adhiera con cinta adhesiva la plantilla en su posición a lo largo de la línea de lápiz. **ASEGÚRESE DE QUE LA PLANTILLA ESTÉ NIVELADA.**
- Utilice un nivel para dibujar una línea recta hacia arriba, desde la línea central de la plantilla hasta el cielorraso.

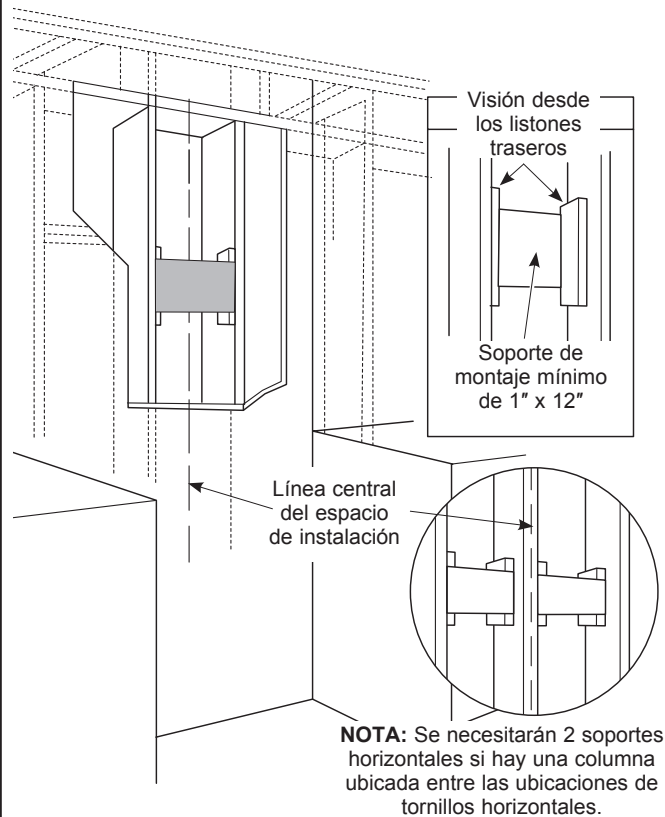


UBICACIÓN DEL CABLEADO DOMÉSTICO:

- La caja de conexiones se encuentra en el lado superior izquierdo de la campana.
- El cableado puede ingresar desde la pared trasera o el cielorraso sobre la ubicación del soporte superior. Dirija la longitud adicional del cableado de modo que alcance la caja de conexiones.

1 INSTALE EL ARMAZÓN PARA EL SOPORTE DE LA CAMPANA

IMPORTANTE: La campana de ventilación debe fijarse al armazón trasero de soporte o a las columnas de la pared. El armazón debe poder soportar 100 lbs.



Si se cuenta con paredes de construcción en seco, marque las ubicaciones de los orificios para tornillos para los soportes de montaje superiores. Quite la plantilla.

- Corte suficiente pared de construcción en seco para exponer 2 columnas verticales en la ubicación del soporte indicada en la plantilla.
- Instale un soporte horizontal por lo menos 1" x 12" entre dos columnas de pared en la ubicación de tornillo de montaje. **El soporte horizontal debe encontrarse alineado con el lado de la habitación de las columnas.** Utilice listones detrás de ambos lados del soporte para sujetar a las columnas de pared.

IMPORTANTE: Vuelva a instalar la pared de construcción en seco para lograr una superficie de montaje pareja.

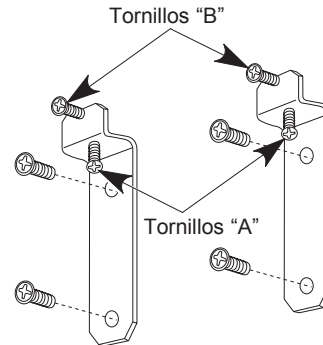
Instrucciones de instalación

INSTALACIÓN – RECIRCULACIÓN

2 INSTALE LOS SOPORTES DE MONTAJE

La campana de ventilación debe fijarse al armazón trasero de soporte o a la columna de la pared.

- Con la plantilla adherida con cinta en su lugar, utilice una perforadora para marcar todas las ubicaciones de los tornillos de montaje.
- Perfore orificios piloto de 1/8" en las 6 ubicaciones marcadas.
- Quite la plantilla.
- Agrande los orificios que no ingresaron a las columnas a 3/8" y coloque los anclajes para las sujeciones de pared en los orificios.
 - Introduzca los tornillos dentro de las sujeciones para permitir que los anclajes se expandan contra el material de la pared. Quite los tornillos para la instalación final.
- Sujete los soportes de montaje a las columnas de la pared con los tornillos para madera provistos.

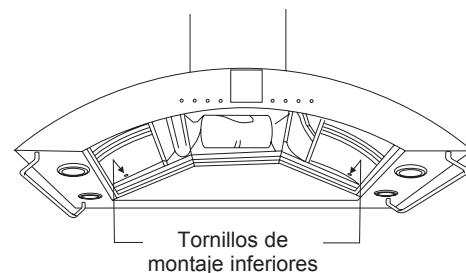
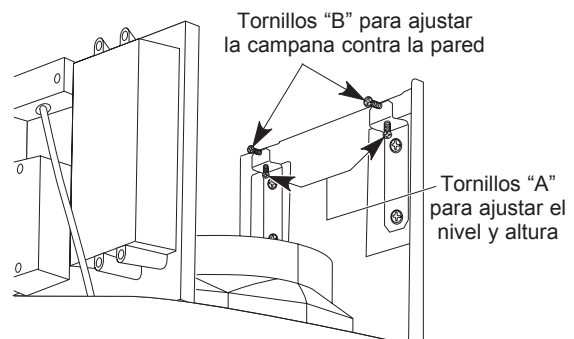


NOTA: Los tornillos "A" y "B" se montan en forma previa sobre los soportes. No quite estos tornillos.

3 INSTALE LA CAMPANA

Coloque la campana sobre los soportes y deslice de izquierda a derecha para alinearla con las ranuras rectangulares de la parte superior.

- Regule la altura de instalación ajustando o aflojando los tornillos "A" ubicados en la parte inferior de los soportes.
- Alinee los orificios de montaje inferiores de la campana con los orificios piloto de la pared.
- Utilizando dos arandelas grandes (suministradas), instale tornillos para madera o tornillos para sujeciones de pared, sin ajustar, dentro de los orificios de montaje inferiores. No ajuste.
- Nivele la campana ajustando o aflojando los tornillos "A" ubicados en los soportes de montajes inferiores.
- Ajuste los tornillos de montaje inferiores.
- Ajuste los tornillos "B" ubicados en la parte superior del soporte de montaje contra la campana para ajustar la posición. **No ajuste los tornillos de más.**

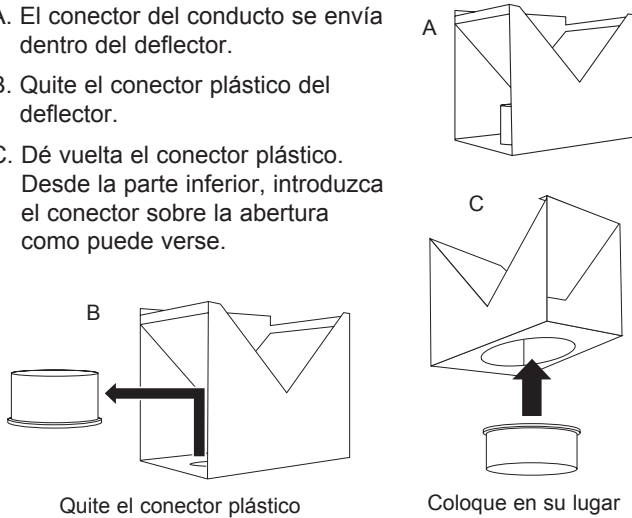


Instrucciones de instalación

INSTALACIÓN – RECIRCULACIÓN

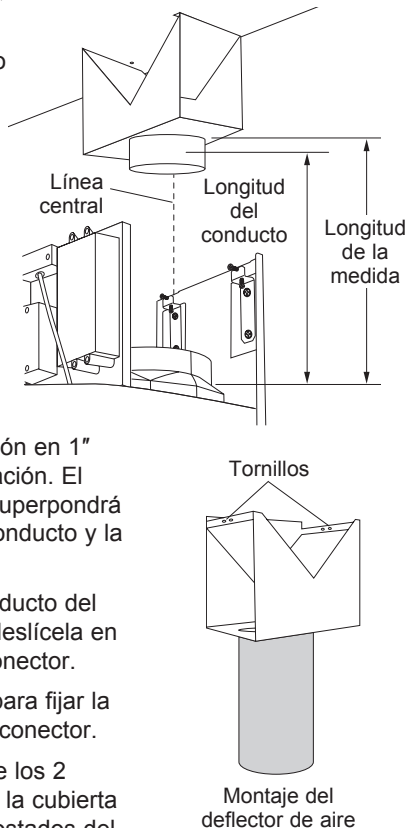
4 ARME EL DEFLECTOR Y EL CONECTOR

- A. El conector del conducto se envía dentro del deflector.
- B. Quite el conector plástico del deflector.
- C. Dé vuelta el conector plástico. Desde la parte inferior, introduzca el conector sobre la abertura como puede verse.



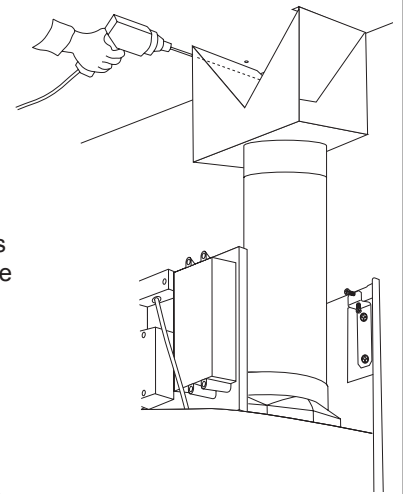
5 MIDA LA PIEZA DE CONDUCTO

- Sostenga el deflector de aire con el conector de conducto contra el cielorraso. Alinee la ventana sobre la parte trasera del deflector con la línea central marcada.
- Mida desde la parte inferior del deflector hasta la parte superior de la campana, como puede verse. Reduzca esa dimensión en 1" para facilitar la instalación. El conducto cubrirá/se superpondrá con el conector del conducto y la salida.
- Corte la pieza de conducto del tamaño adecuado y deslícela en la parte inferior del conector.
- Utilice cinta aislante para fijar la pieza de conducto al conector.
- Instale temporalmente los 2 tornillos pequeños de la cubierta de conducto en los costados del deflector. Quite los tornillos. Esto garantiza comodidad en la instalación final.



6 INSTALE EL MONTAJE DEL DEFLECTOR DE AIRE

- Coloque el montaje sobre la salida de la campana.
- Sostenga el montaje contra el cielorraso. La línea central a lápiz debe verse a través de la ranura del deflector. Marque los dos orificios para tornillos en la parte trasera del montaje.
- Quite el montaje y perforo orificios piloto de 1/8" dentro de las columnas de la pared.
- Agrande los orificios que no ingresaron a las columnas a 3/8" y coloque anclajes de plástico o metal en los orificios, alineados con la pared.
- Coloque el montaje en la salida de la campana, presiónelo contra el cielorraso e instale los tornillos provistos.
- Utilice cinta aislante para sellar la conexión.



⚠ PRECAUCIÓN

No use tornillos para placas de metal en la conexión de la brida del conducto de la campana. Si lo hace no funcionará bien el regulador de tiro. Selle las conexiones sólo con cinta aislante.

Instrucciones de instalación

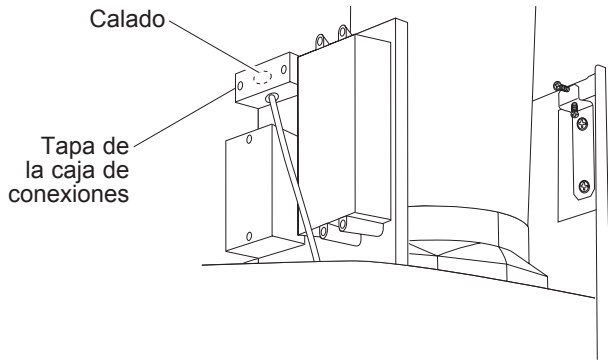
INSTALACIÓN – RECIRCULACIÓN

7 CONECTE LOS ELEMENTOS ELÉCTRICOS

Verifique que la energía esté cortada en la fuente.

ADVERTENCIA Si el cableado doméstico no cuenta con un cable de 2 hilos con conexión a tierra, un instalador debe realizar una conexión a tierra. Cuando el cableado doméstico es de aluminio, asegúrese de usar un compuesto antioxidante y conectores de aluminio a cobre aprobados por UL.

- Quite la tapa de la caja de conexiones y el calado seleccionado.

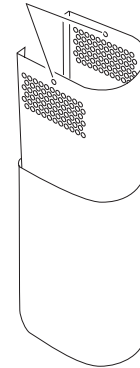


- Asegure el cableado doméstico a la caja de conexiones con un alivio de tensión.
- Conecte el cable blanco al cable blanco del circuito derivado.
- Conecte el cable negro al cable negro del circuito derivado.
- Conecte el cable verde/amarillo al cable verde del circuito derivado o al cable de conexión a tierra.
- Ajuste todas las conexiones con tapones de alambre sobre cada conector eléctrico.
- Empuje los cables dentro de la caja de conexiones y vuelva a colocar la tapa. Verifique que los cables no sufran pellizcos.
- Ajuste la tapa de la caja de conexiones con los 2 tornillos originales.

8 INSTALE LAS CUBIERTAS DE CONDUCTO Y LAS BARRAS PARA UTENSILIOS

- Anstale las cubiertas de conducto como se indica.

Orificios para tornillos de montaje

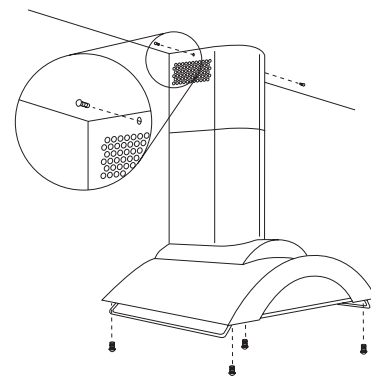


En esta instalación para recirculación, los orificios de ventilación deben colocarse en la parte superior. **Los orificios de ventilación deben estar completamente expuestos para permitir el ingreso de aire a la habitación.**

- Introduzca el montaje de cubiertas de conducto dentro de las impresiones ubicadas en la parte superior de la campana.
- Extienda la cubierta de conducto interior en dirección ascendente hacia el cielorraso y armazón de soporte.

Instale el accesorio opcional ZX7510SPSS
(Si hace falta para alcanzar cielorrasos más elevados)

- Separe la cubierta de conducto provista. Descarte la sección inferior (exterior).
- Deslice la nueva cubierta de conducto ZX7510SPSS en la sección superior original. Asegúrese de que los orificios de ventilación se encuentren ubicados hacia arriba.
- Introduzca el montaje de cubiertas de conducto dentro de las impresiones ubicadas en la parte superior de la campana.
- Fije la cubierta de conducto en la parte superior al deflector de aire con los 2 tornillos provistos.
- Instale las barras de utensilios laterales como se indica con los tornillos provistos.

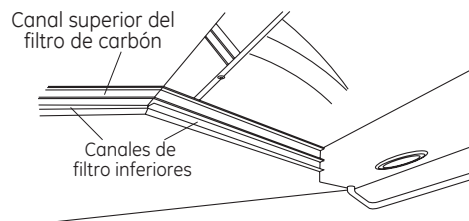


Instrucciones de instalación

INSTALACIÓN – RECIRCULACIÓN

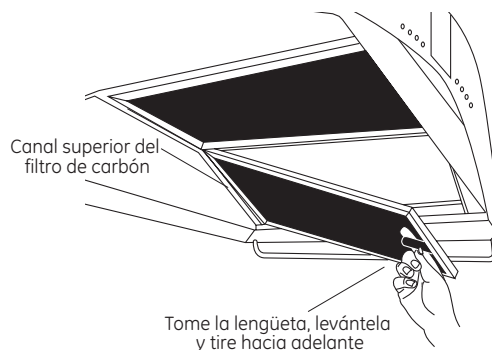
9 INSTALE LOS FILTROS

- Hay dos canales dentro de la parte trasera y frontal de la campana. Estos canales sostienen en su lugar los filtros de carbón y los filtros de grasa de acero inoxidable.



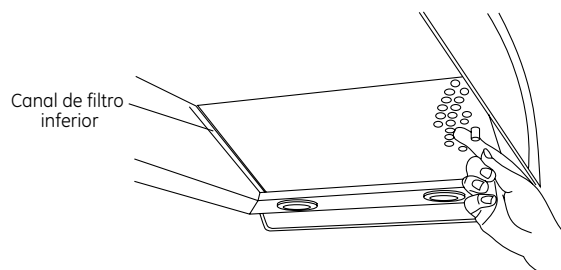
Instale los filtros de carbón

- Quite la película protectora de los filtros de grasa.
- Incline los filtros de carbón dentro de los canales superiores en la parte trasera de la abertura. Tome la lengüeta del filtro, levántela y tire hacia adelante hasta que quede trabada en el canal frontal superior.
- Instale los 3 filtros de carbón.



Instale los filtros de grasa

- Quite la película protectora de los filtros de grasa.
- Incline el filtro de grasa dentro del canal inferior en la parte trasera de la abertura. Presione hacia atrás, levante y tire de la perilla hacia adelante hasta que el filtro se traben en el canal.
- Instale los 3 filtros de grasa.
- Encienda la energía. Si la luz del filtro del panel de control destella, ajuste el filtro del lado derecho en el canal para enganchar el brazo del interruptor.



10 FINALICE LA INSTALACIÓN

- Quite la película protectora que cubre el panel de control sobre la parte frontal de la campana y cualquier material de empaque restante.
- Asegúrese de que los filtros estén bien colocados y que la luz del filtro no esté encendida.
- Verifique que el ventilador y las luces funcionen correctamente. Consulte el Manual del propietario sobre instrucciones operativas y la solución de problemas.

Notas

Notas

NOTE: While performing installations described in this book, safety glasses or goggles should be worn.

For Monogram® local service in your area, call 1.800.444.1845.

NOTE: Product improvement is a continuing endeavor at GE Appliances. Therefore, materials, appearance and specifications are subject to change without notice.

NOTE : Il est recommandé de porter des lunettes de sécurité ou des lunettes étanches lors de l'installation de cet appareil.

Pour les services locaux Monogram® dans votre secteur, appelez le 1.800.444.1845.

NOTE : Au sein de GE Appliances, nous nous efforçons toujours d'améliorer nos produits. Ainsi, les matériaux, l'aspect et les spécifications peuvent être modifiés sans préavis.

NOTA: Mientras efectúa las instalaciones descritas en este libro, deben utilizarse gafas o lentes de seguridad.

Para servicio técnico local Monogram® en su área, llame al 1.800.444.1845.

NOTA: La mejora de los productos es un esfuerzo continuo para GE Appliances. Por lo tanto, los materiales, la apariencia y las especificaciones pueden sufrir cambios sin previo aviso.

