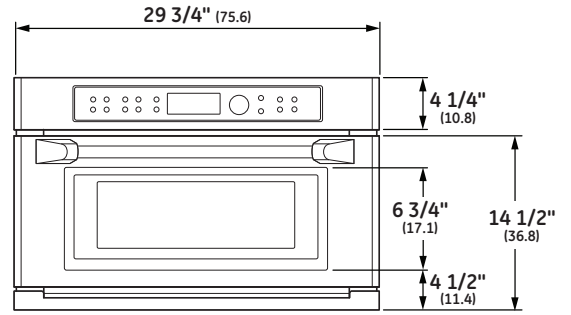
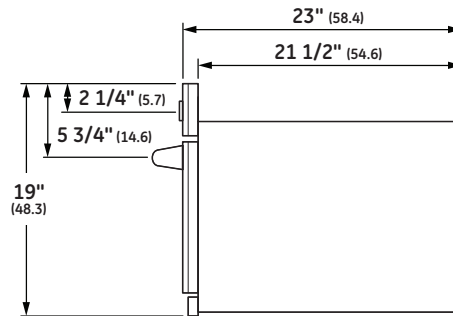




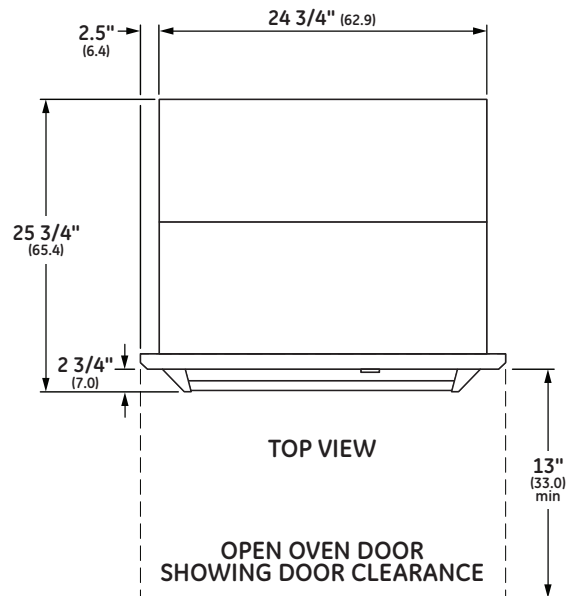
OVERALL DIMENSIONS



FRONT VIEW (SHOWING CUTOUT OVERLAP)



SIDE VIEW



TOP VIEW

SPECIFICATIONS

Overall Width	29 3/4" (75.6 cm)
Overall Height	19" (48.3 cm)
Overall Depth	21 1/2" (54.6 cm)
Oven Door Clearance	13" (33.0 cm)
Overall Oven Interior Capacity	1.6 cu. ft. (.05 cu. cm)
Oven Interior Dimensions (W x H x D)	20 1/16" x 8 1/2" x 17" (51 cm x 21.6 cm x 43.2 cm)
Minimum Cabinet Width	30" (76.2 cm)
Minimum Cabinet Depth	21 1/2" (54.6 cm)
Minimum Base Support	130 lbs (59 kg)
Cutout Width	25 1/4" (64.1 cm)
Cutout Height	17 1/2" (44.5 cm)
Cutout Depth	21 1/2" (54.6 cm) Min
Voltz/Hertz/Amps	120 VAC, 60 Hz, 15A
Conduit Length	48" (121.9 cm)
Electrical Rating	1.8 kW at 120V
Total Amps	6.3 kW at 240V
Shipping Weight	87 lbs (39.5 kg)

ATTENTION ELECTRICIAN:

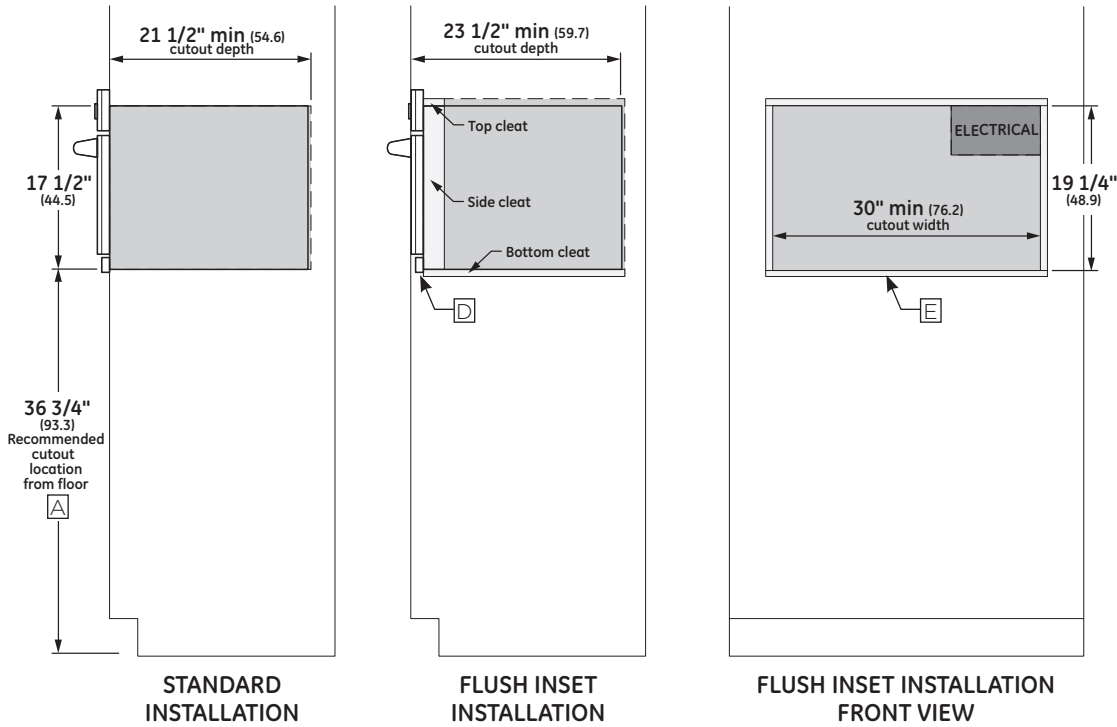
A 120V, 60Hz, 15 Amp circuit is required. An individual properly grounded branch circuit or circuit breaker is required. Hardware junction box is required for built-in product.

Dimensions in parentheses are in centimeters unless otherwise noted. Actual product dimensions may vary due to manufacturing tolerances.

ELEVATE EVERYTHING™



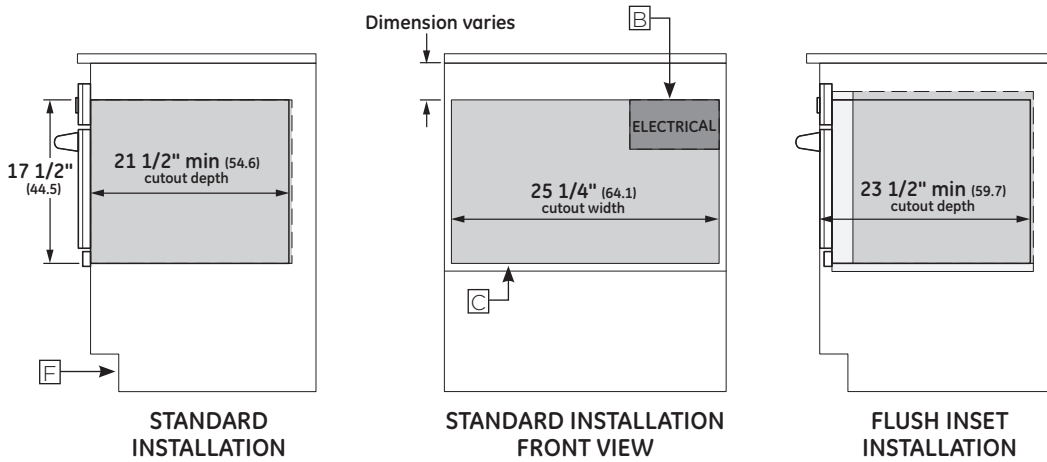
WALL INSTALLATION



NOTES

- Ⓐ Based on a user height of 5' 6" to 5' 10"
- Ⓑ Junction box location (May also be located in adjacent cabinet.)
- Ⓒ Platform must be able to support 130 lbs (59 kg)
- Ⓓ Top surface of cabinet must be an appearance finished surface for flush installation.
- Ⓔ Cleats may be visible and should be finished to match cabinetry.
- Ⓕ Maximum toe kick height of 4" when installed beneath a certified cooktop.

UNDERCOUNTER INSTALLATION



For more details, refer to the installation instructions for this product on Monogram.com. Dimensions in parentheses are in centimeters unless otherwise noted.

ELEVATE EVERYTHING™



FEATURES AND BENEFITS

FOUR OVENS IN ONE

Speedcook, convection, microwave and warming capabilities

AWARD-WINNING SPEEDCOOK TECHNOLOGY

Delivers oven-quality results up to four-times faster than conventional cooking methods with no preheating

TRUE EUROPEAN CONVECTION MODE

Bakes, roasts and browns food to perfection

MICROWAVE MODE

Provides a fully functioning sensor microwave that allows fast, precise reheating and defrosting

WARMING MODE

Keeps prepared dishes at ready-to-serve temperatures

LARGE OVEN INTERIOR

Easily accommodates roasts or casserole dishes on a 16" tray that holds a 9" x 13" pan

REMOVABLE OVEN RACK

Allows for multi-level convection baking

PROFESSIONAL, STAINLESS STEEL APPEARANCE

Designed with chamfered edges, a robust tubular handle and die-cast control knob

PREPROGRAMMED RECIPES

Provides quick and easy access to over 175 pre-set food selections and allows programming of up to 30 custom recipes

GLASS TOUCH CONTROLS

Feature a smooth clean design that is easy to operate and easy to clean

INSTALLATION FLEXIBILITY

Ovens can be installed in 30" wall cabinet and can also be installed undercounter

FLUSH INSTALLATION CAPABILITY

Enables the Advantium to be installed flush, even with inset cabinetry, without any additional parts



ELEVATE EVERYTHING™

MONOGRAM