

# Design Guide with Installation Instructions

36" Built-In French Door,  
Bottom-Freezer Refrigerators

31-49074
224D3560P002

12-14 GE

[monogram.com](http://monogram.com)



# Safety Information


## BEFORE YOU BEGIN

Read these instructions completely and carefully.


- **IMPORTANT** – Save these instructions for local inspector’s use. Observe all governing codes and ordinances.
- **Note to Installer** – Be sure to leave these instructions with the Consumer.
- **Note to Consumer** – Keep these instructions with your Owner’s Manual for future reference.


If you received a damaged refrigerator, you should immediately contact your dealer or builder.

**Skill Level** – Installation of this refrigerator requires basic mechanical, carpentry and plumbing skills. Proper installation is the responsibility of the installer. Product failure due to improper installation is not covered under the GE Appliance Warranty. See the Owner’s Manual for warranty information.

 This is the safety alert symbol. This symbol alerts you to potential hazards that can kill or hurt you and others. All safety messages will follow the safety alert symbol and the word “DANGER”, “WARNING”, or “CAUTION”. These words are defined as:

 **DANGER** Indicates a hazardous situation which, if not avoided, **will** result in death or serious injury.

 **WARNING** Indicates a hazardous situation which, if not avoided, **could** result in death or serious injury.

 **CAUTION** Indicates a hazardous situation which, if not avoided, **could** result in minor or moderate injury.

### **WARNING** **Electrical Shock Hazard.**

Plug into a grounded 3-prong outlet.

Do not remove the ground prong.

Do not use an adapter.

Immediately replace electric cords that become frayed or damaged.

Do not use an extension cord with this appliance.

Failure to follow these instructions can result in death, fire, or electrical shock.

Follow the instructions in the section *Grounding the Refrigerator*.

### **WARNING** **Tip Over Hazard.**

These refrigerators are top heavy, especially with any doors open, and must be secured to prevent tipping forward which could result in death or serious injury. Read and follow the entire installation instructions for securing the refrigerator with the anti-tip system.

### **WARNING** **Explosion Hazard.**

Keep flammable materials and vapors, such as gasoline, away from refrigerator. Failure to do so can result in fire, explosion, or death.

 **WARNING** To reduce the risk associated with choking, do not allow children under 3 years of age to have access to small parts during the installation of this product.

### **CAUTION** **Lifting Hazard**

This refrigerator is very heavy. To reduce the risk of person injury during maneuvering and installing this refrigerator, 3 people are required for proper installation.


For Monogram local service in your area, call 1.800.444.1845.


For Monogram service in Canada, call 1.800.561.3344


For Monogram Parts and Accessories, call 1.800.626.2002.


www.monogram.com

# Consignes de Sécurité

 Ce symbole représente une alerte de sécurité. Ce symbole vous avise de dangers possibles pouvant causer la mort, des blessures ou autres. Tous les messages de sécurité seront précédés du symbole d'alerte de sécurité ainsi que des mots « DANGER », « AVERTISSEMENT » ou « MISE EN GARDE ». Ces messages sont les suivants :

 **DANGER** Signale une situation qui présente un danger imminent et qui, si elle n'est pas évitée, entraînera des blessures graves, voire la mort.

 **AVERTISSEMENT** Signale une situation qui présente un danger imminent et qui, si elle n'est pas évitée, peut entraîner des blessures graves, voire la mort.

 **ATTENTION** Signale une situation qui présente un danger imminent et qui, si elle n'est pas évitée, peut entraîner des blessures mineures ou graves.

 **AVERTISSEMENT**  **Risque de choc électrique.**

Branchez l'appareil dans une prise triple avec terre.

Ne retirez pas la broche de terre.

N'utilisez pas d'adaptateur.

Le non-respect de ces instructions peut entraîner des risques d'incendies, des chocs électriques ou la mort.

Remplacer immédiatement tout cordon électrique effiloché ou endommagé.

N'utilisez pas de rallonge avec cet appareil.

Le non-respect de ces instructions peut entraîner des risques d'incendies, des chocs électriques ou la mort.


Suivez les instructions de la section *Mise à la terre du réfrigérateur*.

 **AVERTISSEMENT**  **Risque de basculement**

Ces réfrigérateurs présentent une partie supérieure lourde, en particulier avec une porte ouverte; ils doivent donc être fixés pour prévenir le basculement vers l'avant et le risque concomitant de blessure grave ou fatale. Lisez et suivez les instructions d'installation complètes pour l'installation du système anti-basculement.

 **AVERTISSEMENT**  **Risque d'explosion.**

Conservez les matériaux et vapeurs inflammables tels que l'essence à l'écart de votre réfrigérateur. Le non-respect de cette instruction peut entraîner un risque d'incendie, d'explosion ou de décès.

 **AVERTISSEMENT** Pour réduire le risque d'étouffement pendant l'installation de ce produit, ne pas laisser les petites pièces à la portée des enfants âgés de moins de 3 ans.

 **ATTENTION** **Risque associé à la manutention d'une charge lourde**

Ce réfrigérateur est très lourd. Pour réduire le risque de blessure lors de la manutention de ce réfrigérateur, trois (3) personnes sont nécessaires pour procéder à l'installation appropriée du modèle 36 pouces, quatre (4) pour l'installation des modèles 42 ou 48 pouces.

# Contents

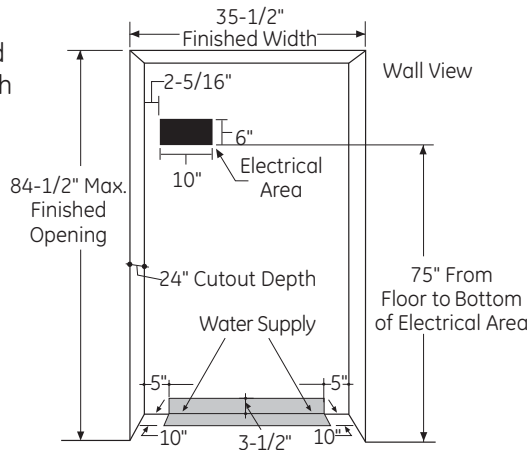
---

<b>Safety</b>	2-3	Step 4. Anti-Tip Procedures	11-12
<b>Planning Guide</b>		Step 5. Level Refrigerator	13
The Installation Space	5	Step 6. Secure Unit to Wall	13
Dimensions and Clearances	5	Step 7. Alternate Anti-Tip Procedure	14
130° Door Swing	6	Step 8. Secure Refrigerator to Cabinetry	14
90° Door Swing	7	Step 9. Connect Water Supply	15
Side Panels	8	Step 10. Connect Power	15
<b>Installation Instructions</b>		Step 11. Start Icemaker	15
Tools, Hardware, Materials	9	Step 12. Install Toekick	16
Grounding the Refrigerator	9		
Step 1. Remove Packaging	10		
Step 2. Install Water Line	10		
Step 2A. Water Line with Reverse Osmosis System	11		
Step 3. Install Side Panels	11		

# Design Guide

## THE INSTALLATION SPACE

The finished cutout width must be 35-1/2".



### Water And Electrical Locations

Electrical and water supply must be located as shown.

### The cutout depth must be 24"

The refrigerator will project forward, slightly beyond adjacent cabinetry, depending on your installation. Allow minimum 1/8" air gap between case back & wall.

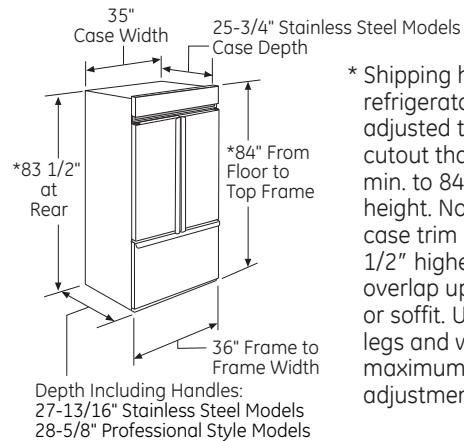
### Cutout depth beneath a soffit:

When installed beneath a soffit, the soffit cannot exceed the 24" installation depth shown. The top case trim overlaps the bottom of the soffit.

### Additional Specifications

- A 115 volt 60Hz., 15 or 20 amp power supply is required. An individual properly grounded branch circuit or circuit breaker is recommended. Install a properly grounded 3-prong electrical receptacle recessed into the back wall. Electrical must be located on rear wall as shown. Note: GFI (ground fault interrupter) is not recommended.
- Water line can enter the opening through the floor or back wall. Route GE SmartConnect™ kit or 1/4" O.D. copper tubing between the cold water line and the water connection location. The tubing should be long enough to extend to the front of the refrigerator. Installation of an easily accessible shut-off valve in the water line is required.

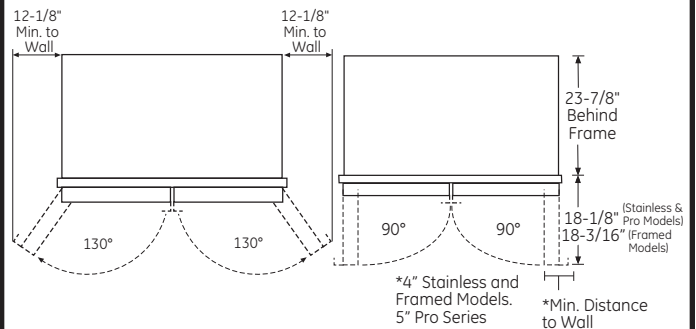
## DIMENSIONS AND CLEARANCES



\* Shipping height. The refrigerator can be adjusted to fit into a cutout that is 83-1/2" min. to 84-1/2" max. height. Note that the top case trim at the front is 1/2" higher and will overlap upper cabinetry or soffit. Use leveling legs and wheels for a maximum 1" height adjustment.

### Product Clearances

These refrigerators are equipped with a 2-position door stop. The factory set 130° door swing can be adjusted to 90° if clearance to adjacent cabinets or walls is restricted.

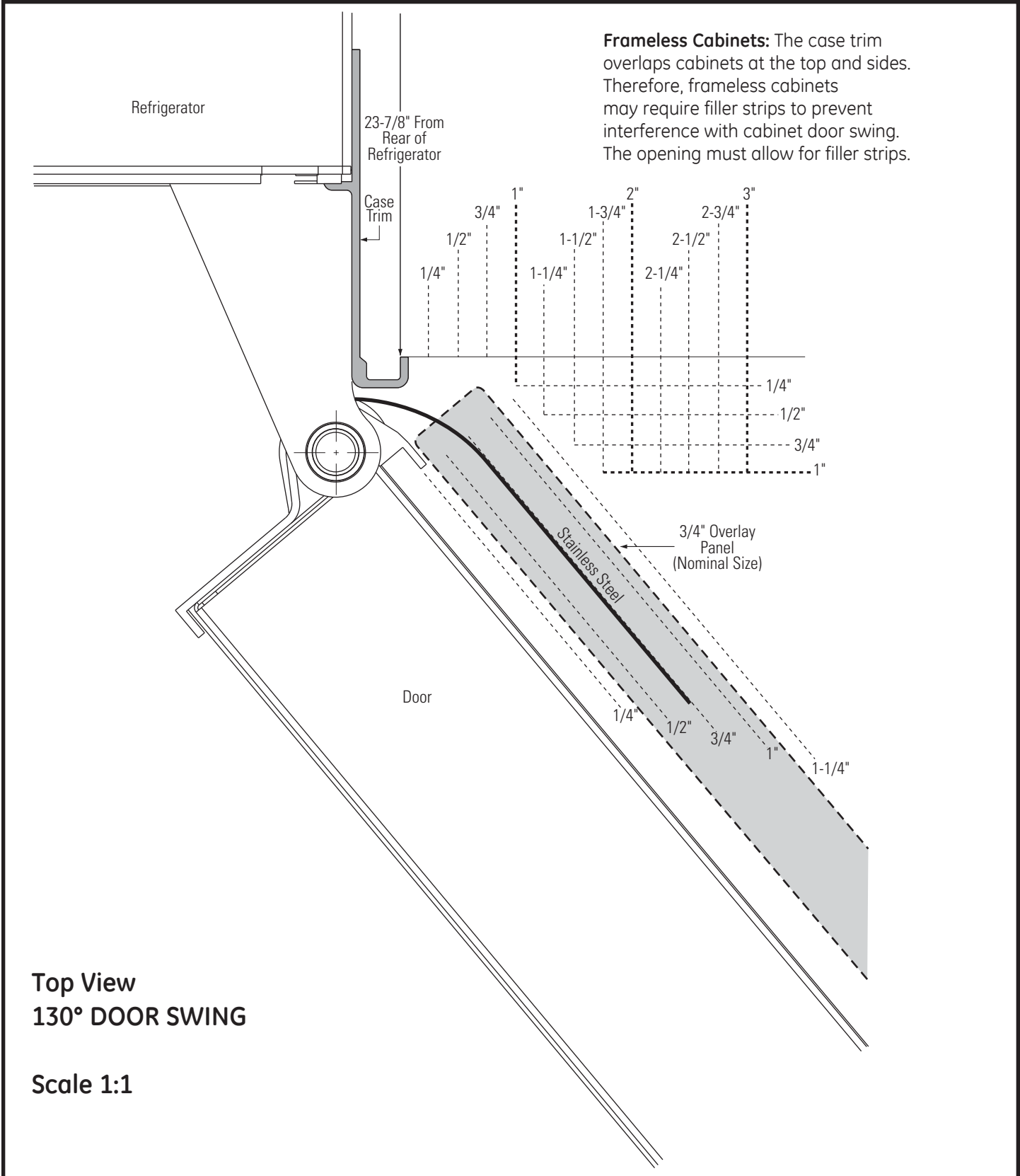


Allow 12-1/8" minimum clearance for a full 130° door swing.

For a 90° door swing, allow 4" min. clearance to a wall, for framed and stainless steel models. Allow 5" min. clearance for professional style models. If the 90° door stop position is used, pan access is maintained, but pan removal is restricted.

See illustrations pages 6 and 7 to determine door swing interaction with adjacent cabinets or countertops.

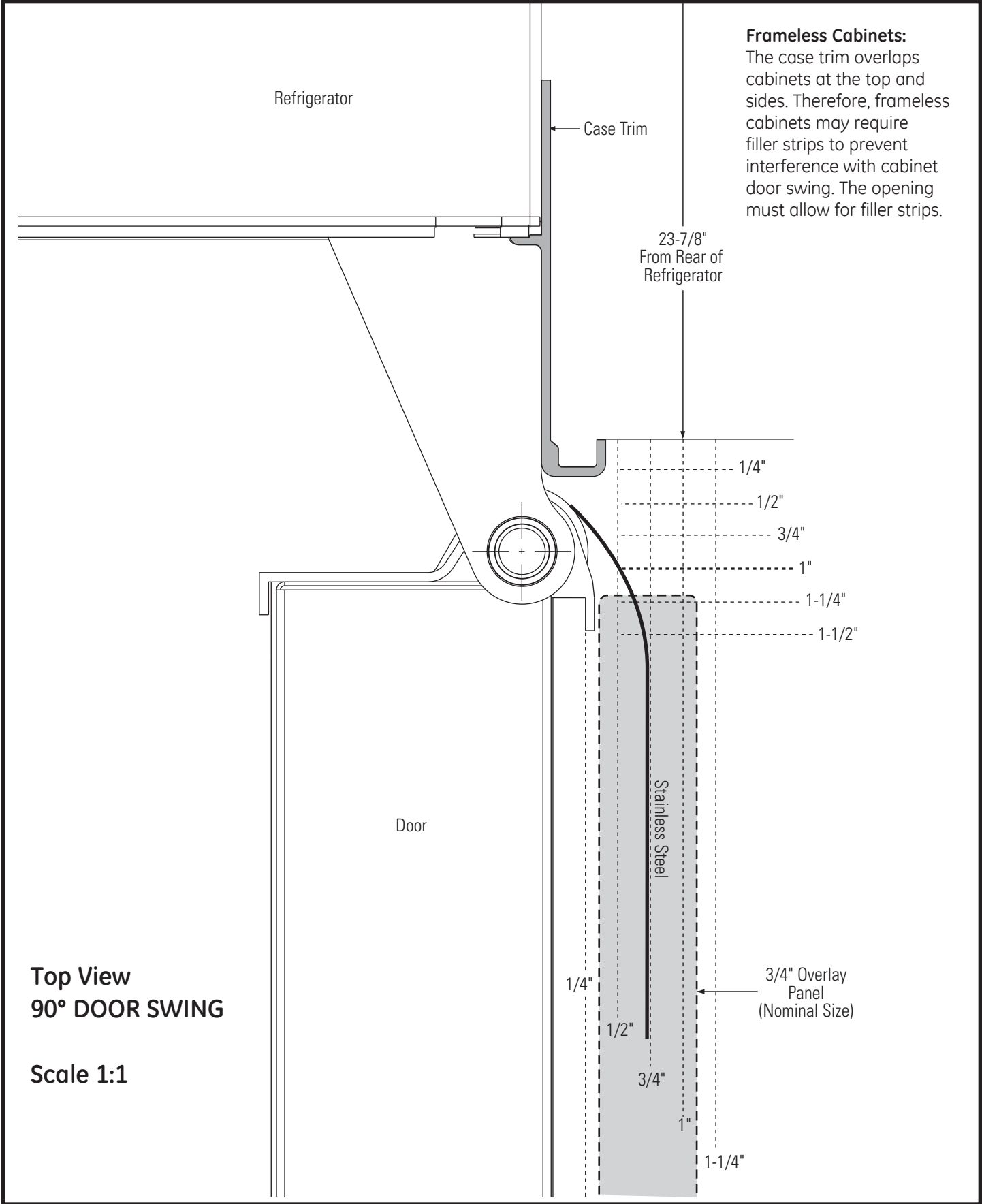
# Design Guide



Top View  
130° DOOR SWING

Scale 1:1

# Design Guide



**Top View  
90° DOOR SWING**

**Scale 1:1**

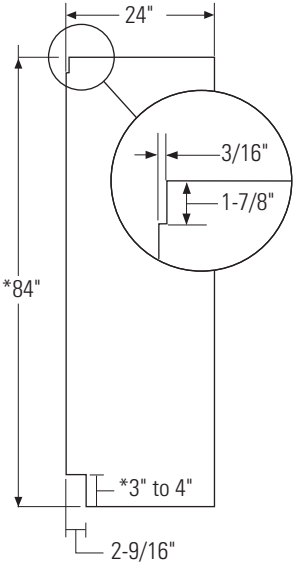
# Design Guide

## SIDE PANELS

Side panels must be used whenever the sides of the refrigerator will be exposed. The 1/4" side panels will slip into the side case trim. Secure the panels to the refrigerator with stick-on hook and loop fastener strips. Order the side panels from the cabinet manufacturer.

- Cut a notch in the top front corner as shown to allow clearance for corner keys in the front side trim.

\* Depending on installation height.





# Installation Instructions

## TOOLS REQUIRED

- Tinsnips to cut banding
- Stepladder
- Bucket
- Level
- Appliance Hand Truck
- Tubing cutter
- 7/16" open-end wrench
- #2 Phillips screwdriver
- Drill and appropriate bits
- 5/16", 7/16" socket
- Safety glasses
- 1-1/4" open end wrench
- Pliers
- 1/4" ratchet

## MATERIALS REQUIRED

- 35" long 2x4 for Anti-Tip support
- 1/4" copper water line tubing or GE SmartConnect™ Refrigerator Tubing kits
- Water shut-off valve
- Custom panels for fresh food door, freezer drawer and grille panel
- Screws to secure refrigerator to cabinetry.
- Stick-on hook and loop fastener strips for 1/4" side panels

## HARDWARE SUPPLIED

- Water filter bypass plug
- Anti-Tip brackets
- 1/4" nut and ferrule
- Flush inset bracket pack
- Case trim(s)

## FLOORING

For proper installation, this refrigerator must be placed on a level surface of hard material that is at the same height as the rest of the flooring. This surface should be strong enough to support a fully loaded refrigerator, or approximately 1,200 lbs.

**NOTE:** Protect the finish of the flooring. Cut a large section of the cardboard carton and place under the refrigerator where you are working.

## REFRIGERATOR LOCATION

- Do not install the refrigerator where the temperature will go below 60°F (16°C). It will not run often enough to maintain proper temperatures.
- Do not install the refrigerator where temperatures will go above 100°F (37°C). It will not perform properly.
- Do not install the refrigerator in a location exposed to water (rain, etc.) or direct sunlight.
- Install it on a floor strong enough to support it fully loaded.

## GROUNDING THE REFRIGERATOR

**⚠ WARNING**  **Electrical Shock Hazard.**

Failure to follow these instructions can result in death, fire, or electrical shock.

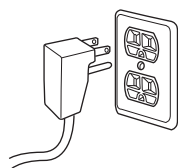
The power cord of this appliance is equipped with a 3-prong (grounding) plug which mates with a standard 3-prong (grounding) wall receptacle to minimize the possibility of electric shock hazard from this appliance. Have the wall outlet and circuit checked by a qualified electrician to make sure the outlet is properly grounded.

Where a standard 2-prong wall outlet is encountered, it is your personal responsibility and obligation to have it replaced with a properly grounded 3-prong wall outlet.

DO NOT, UNDER ANY CIRCUMSTANCES, CUT OR REMOVE THE THIRD (GROUND) PRONG FROM THE POWER CORD.

DO NOT USE AN ADAPTER PLUG TO CONNECT THE REFRIGERATOR TO A 2-PRONG OUTLET.

DO NOT USE AN EXTENSION CORD WITH THIS APPLIANCE.



## MISE À LA TERRE DU RÉFRIGÉRATEUR

**⚠ AVERTISSEMENT**  **Risque de choc électrique.**

Le non-respect de ces instructions peut entraîner des risques d'incendies, des chocs électriques ou la mort.

Le cordon d'alimentation de cet appareil est équipé d'une fiche à trois broches (pour une mise à la terre) qui s'adapte à la prise de courant standard à 3 broches (pour une mise à la terre) pour minimiser les risques de chocs électriques par cet appareil.

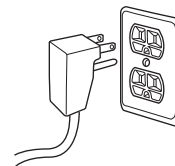
Faites vérifier la prise murale et le circuit électrique par un électricien qualifié pour s'assurer que le système est correctement mis à la terre.

Dans le cas d'une prise biphasée, l'installateur a la responsabilité et l'obligation de la remplacer par une prise triphasée correctement mise à la terre.

NE COUPEZ PAS OU N'ENLEVEZ PAS, SOUS AUCUN PRÉTEXTE, LA TROISIÈME BROCHE DE MISE À LA TERRE DU CORDON D'ALIMENTATION.

N'UTILISEZ PAS D'ADAPTATEUR POUR BRANCHER LE RÉFRIGÉRATEUR À UNE PRISE BIPHASÉE.

N'UTILISEZ PAS DE RALLONGE AVEC CET APPAREIL.



# Installation Instructions

## STEP 1 REMOVE PACKAGING

### ⚠ WARNING



#### Tip Over Hazard.

Refrigerator is much heavier at the top than at the bottom. To avoid a risk of death or serious injury, be careful when moving, and when using a hand truck, handle only from side.

DO NOT ATTEMPT TO ROLL UNIT OFF SKID.

### ⚠ AVERTISSEMENT



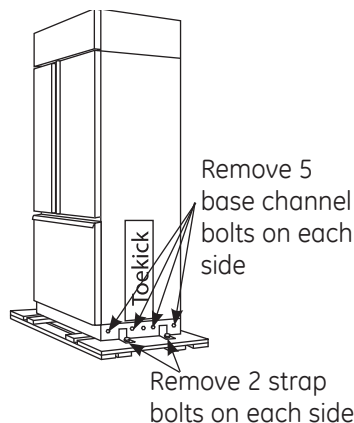
#### Risque de basculement

Parce que le haut du réfrigérateur est plus lourd que sa base, la prudence est de mise lors son déplacement, de l'utilisation d'un diable-brouette, de sa manipulation faite seulement sur son côté afin d'éviter les blessures graves ou mortelles.

IL NE FAUT PAS ESSAYER DE FAIRE ROULER L'APPAREIL MÉNAGER POUR L'ENLEVER DE LA PALETTE..

- Carefully cut banding at the top and bottom, remove the outer carton.
- Slide out the back corner posts (2).
- Slide the carton off the top of the cabinet.

**NOTE:** IT IS NOT NECESSARY TO LAY THE CABINET DOWN IN ORDER TO REMOVE THE SKID!



- The unit is secured to the skid with 2 full-length tie-down straps. Remove the ten 5/16" bolts from the base channels in the tie-downs.

- Remove the four 7/16" bolts securing the straps to the skid.

**NOTE:** DO NOT ATTEMPT TO ROLL UNIT OFF SKID.

- The support blocks on the bottom of the refrigeration case must be removed

before the refrigerator is taken off the skid or damage will occur. Carefully tilt the refrigerator and slide the blocks out from beneath.

- Remove the toekick and set aside for final installation.
- Lift the refrigerator off the skid with an appliance dolly. Handle from the sides.

## STEP 2 INSTALL WATER LINE

- A cold water supply is required for automatic icemaker operation. The water pressure must be between 40 and 120 p.s.i.
- Route 1/4" OD copper or GE SmartConnect™ plastic tubing between house cold water line and the water connection location.
- Tubing should be long enough to extend to the front of the refrigerator. Allow enough tubing to accommodate bend leading into the water line connection.

**NOTE:** The only GE-approved plastic tubing is supplied in the GE SmartConnect™ Refrigerator Tubing kits. Do not use any other plastic water supply line because the line is under pressure at all times. Other types of plastic may crack or rupture with age and cause water damage to your home.

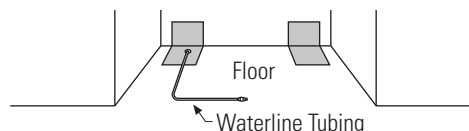
GE SmartConnect™ Refrigerator Tubing Kits are available in the following lengths:

- 2' (.6 m) WX08X10002
- 8' (2.4 m) WX08X10006
- 15' (4.6 m) WX08X1 0015
- 25' (7.6 m) WX08X10025

### Shut off the main water supply.

Turn on the nearest faucet long enough to clear the line of water.

- Install a shut-off valve between the icemaker water valve and cold water pipe in a basement or cabinet. The shut-off valve should be located where it will be easily accessible.



- Turn on the main water supply and flush debris. Run about a quart of water through the tubing into a bucket. Shut off water supply at the shut-off valve.

**NOTE:** Saddle type shut-off valves are included in many water supply kits, but are not recommended for this application.

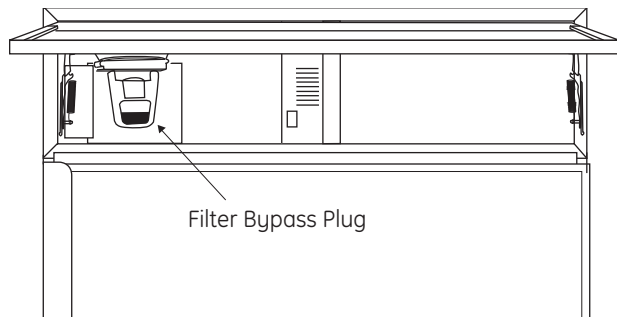
**NOTE:** Commonwealth of Massachusetts Plumbing Codes 248CMR shall be adhered to. Saddle valves are illegal and use is not permitted in Massachusetts. Consult with your licensed plumber.

# Installation Instructions

## STEP 2A WATER LINE INSTALLATION WITH A REVERSE OSMOSIS SYSTEM

Skip this step when not using an RO System

If the water supply to the refrigerator is from a Reverse Osmosis Water System, use the refrigerator's filter bypass plug. Using the refrigerator's water filtration cartridge with the RO filter can result in hollow ice cubes.



## STEP 3 INSTALL SIDE PANELS

Skip this step when not using side panels

If you are using 1/4" side panels, they should be inserted into the case trim. Fasten the panels to the refrigerator with stick-on hook and loop fastener strips before setting refrigerator in place.

## STEP 4 ANIT-TIP PROCEDURE

**WARNING**



**Tip Over Hazard.**

These refrigerators are top heavy, especially with any doors open, and must be secured to prevent tipping forward which could result in death or serious injury. Read and follow the entire installation instructions for securing the refrigerator with the anti-tip system.

**AVERTISSEMENT**

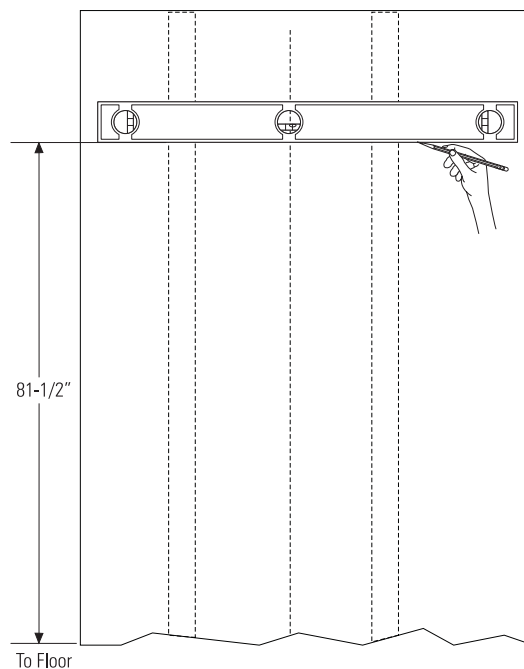


**Risque de basculement**

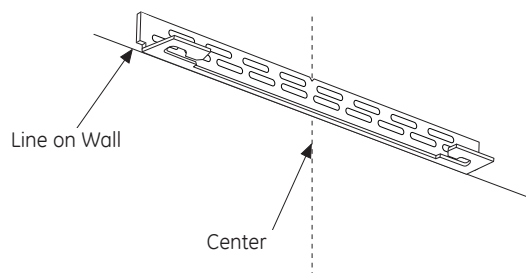
Ces réfrigérateurs présentent une partie supérieure lourde, en particulier avec une porte ouverte; ils doivent donc être fixés pour prévenir le basculement vers l'avant et le risque concomitant de blessure grave ou fatale. Lisez et suivez les instructions d'installation complètes pour l'installation du système anti-basculement.

## STEP 4 ANIT-TIP PROCEDURE (CONT)

- The kit supplied with the unit contains 2 lag bolts and 4 toggles with bolts. The wall bracket will be attached to the wall in 4 places.
- Measure the opening where the unit is to be installed. Mark the center with a vertical line.
- Measure up 81 1/2" from the floor. Mark this point on the wall.
- Using a level, draw a horizontal line on the wall at this height.



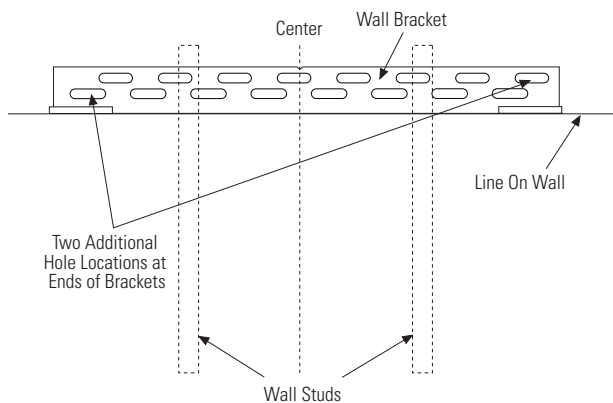
- Locate at least 2 studs on the back wall. Mark these points on the horizontal line.
- Place the bottom of the wall bracket with tabs on the horizontal line. Align the center notch on the bracket with the center line on the wall.



# Installation Instructions

## STEP 4 ANIT-TIP PROCEDURE (CONT)

- The anti-tip wall bracket has a series of holes. Select 2 holes that match with the located studs. Make sure the holes selected are on the center of the studs. Mark the wall at these points.
- Mark an additional hole at each end of the bracket. If one of the studs is closer to the end of the bracket, mark an additional hole towards the center of the bracket.

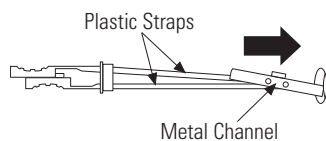


- Drill 1/2" holes into the wall board at the locations marked for the toggles to be mounted (not the stud markings).
- Drill 3/16" holes into wooden studs where marked. If steel stud construction, drill 1/2" holes into the studs where marked. You will use 2 toggles with the metal studs.

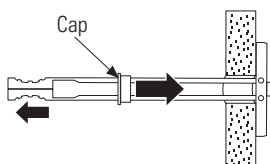
### Install Wall Toggles:

The wall toggles and bolts can be ordered as Service Kit #WR49X10193. Wall toggles are installed in the drywall and metal studs for stability. Install the wall toggles as follows:

- Drill 1/2" holes at the wall markings made in the holes at the ends of the wall bracket.
- Hold the metal channel flat against the plastic straps and slide the channel through the hole.
- Gently pull back at the ends of the plastic straps to make the channel rest flush behind the wall.

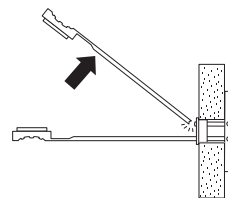


- Hold the ends of the straps in one hand and slide the plastic cap along the straps until the flange of the cap is flush with the wall.



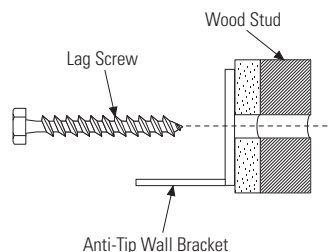
## STEP 4 ANIT-TIP PROCEDURE (CONT)

- Place your thumb between the plastic straps and bend up and down to snap the straps off at the wall.

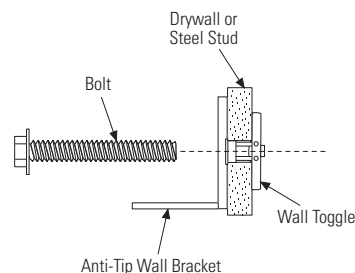


### Install Screws and Bolts:

- Have someone hold the wall bracket centered in place with each of the holes aligned with the correct opening in the bracket and level with the horizontal line.
- Insert the lag screws through the bracket and into the stud. Tighten with a wrench.



- Insert the bolts into the toggle by hand until snug. Tighten with a wrench.



### CONNECT POWER CORD:

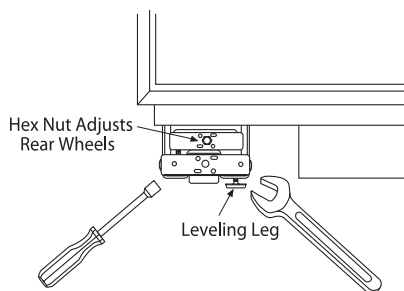
- Before pushing the refrigerator into the opening, plug the power cord into the receptacle. Open the grille panel and reach into the opening at the back to grasp the power cord. Pull the power cord into the opening as you push the refrigerator back.
- Gently push refrigerator into the opening with hands against front corners.

# Installation Instructions

## STEP 5 LEVEL REFRIGERATOR

All models have 4-point leveling. The front is supported by leveling legs, the rear is supported by adjustable wheels. Both are accessible from the front of the refrigerator.

- To level the back of the refrigerator, turn the 7/16" hex nut located above the front wheels. Turn clockwise to raise or counterclockwise to lower the refrigerator.
- For front leveling, use a 1-1/4" open-end wrench.
- Adjust height of refrigerator to match installation cutout opening 83-1/2 to 84-1/2". The refrigerator should be level and plumb with cabinetry.



### CAUTION

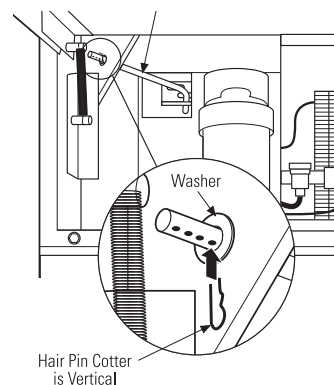
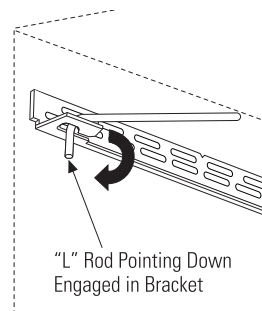
The rear leveling wheels and front leveling legs are limited to a maximum height adjustment of 1". If the installation requires more than 84-1/2" height, the installer should elevate the refrigerator on a sheet of plywood or runners. Cabinetry trim could also be added across the top of the opening to shorten the opening. If you attempt to raise the refrigerator more than 1", you will damage the front leveling legs and the rear leveling wheels.

### ATTENTION

Les roues de nivellement arrière et les pattes de nivellement avant permettent un réglage maximal de 25 mm (1 po). Si l'ouverture pour le réfrigérateur a une hauteur supérieure à 2,15 m (84-1/2 po), l'installateur doit élever le réfrigérateur sur une feuille de contre-plaqué ou des glissières. Il est également possible d'ajouter des baguettes de finition des placards sur le haut de l'ouverture afin de la réduire. Lever le réfrigérateur de plus de 25 mm (1 po) endommage les pattes de nivellement avant et les roues de nivellement arrière.

## STEP 6 SECURE UNIT TO WALL

- The "L" rod can be found in the upper left corner of the unit in the access compartment. Look through the access compartment to make sure the rod lines up with the anti-tip bracket.
- There are 2 washers and a hair pin cotter with the rod. Remove the washers and hair pin cotter from the end of the rod.
- Rotate and move the "L" rod into the slot in the anti-tip bracket tab. Once it is in the slot, rotate the "L" rod so the hook portion is pointing down. The holes at the front end of the rod should be in a vertical position.
- Pull out on the end of the rod to make sure it is secure in the bracket.
- Locate the hole on the rod that is closest to the unit. A hair pin cotter will be put through this hole to secure the rod. If this hole appears to be too far away for a snug fit against the unit, add the washers one at a time until the pin will fit tightly into the hole.
- Align the straight section of the pin with the hole from the underside of the rod. Push the pin up until it snaps into position. Pliers may be used. **NOTE:** The hair pin cotter must be vertical when this step is completed to ensure the "L" rod is engaged in the bracket.
- Check the rod for tightness by pulling forward. If the rod moves, remove the hair pin cotter and place another washer on the rod. Reinsert the pin.

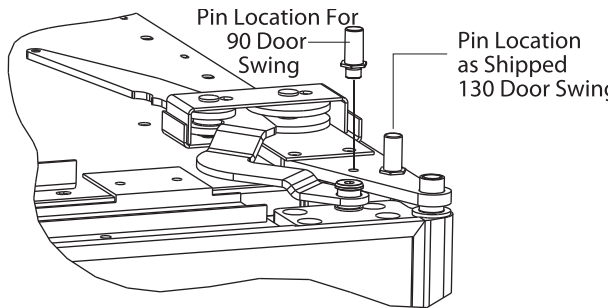
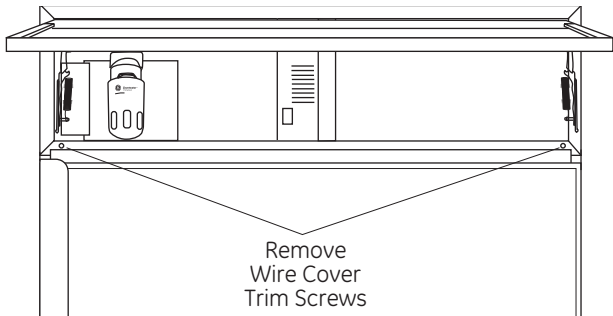


# Installation Instructions

## STEP 7 ADJUST DOOR SWING

**NOTE:** This refrigerator has a 2-position door stop. When space does not allow the door to swing open fully to 130°, you may change the door swing to a 90° opening. **Skip this step if door opening is satisfactory for your installation situation.**

- Lift the grille panel to access the wire cover trim.
- Remove screws on both sides of the wire cover trim and rotate off.
- Use pliers to unscrew door stop and reinstall into the 90° position.

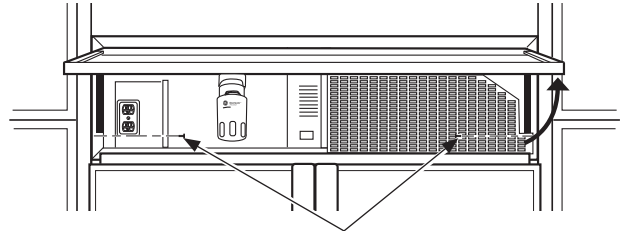


- Reinstall the wire cover trim.

## STEP 8 SECURE REFRIGERATOR TO CABINETY

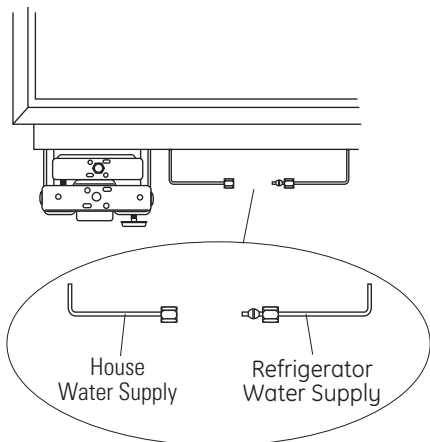
Whenever possible, perform this step in addition to the Anti-Tip Procedures for anti-tip security. The refrigerator must be secured to prevent tipping.

- Raise the grille panel to access case trim.
- Drill hole in trim and drive screw through the trim into adjacent cabinet.
- Follow the same procedure on the opposite side.



# Installation Instructions

## STEP 9 CONNECT WATER SUPPLY



- Locate and bring tubing to the front of the cabinet.
- Turn the water on to flush debris from line. Run about a quart of water through tubing into a bucket, then shut off water.

### Copper Tubing:

- Slip a 1/4" nut and ferrule (provided) over both ends of the copper tubing. Insert tube into the union fitting on the unit and tighten nut to union.
- Turn on the water to check for leaks.

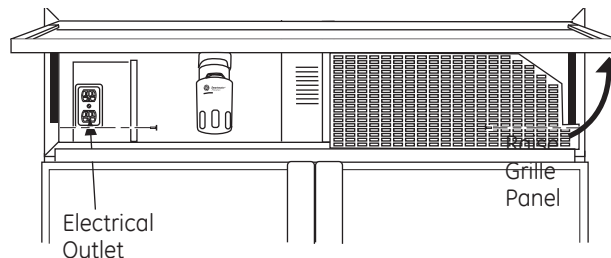
### GE SmartConnect™ Tubing:

- Insert the molded end of the tubing into the refrigerator connection. Tighten the compression nut until it is just hand tight.
- Tighten one additional turn with a wrench. Overtightening can cause leaks!
- Turn on the water to check for leaks.

**Note:** Make sure excess tubing length does not interfere with drawer closing or toekick installation.

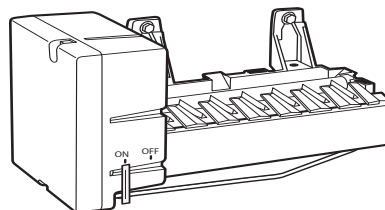
## STEP 10 CONNECT POWER

- Check to be sure the power cord is plugged into the receptacle.



- Check to make sure power to refrigerator is on by opening refrigerator door to see if interior lights are on.
- The temperature controls are preset at 37°F for the fresh food section and 0°F for the freezer.
- Allow 24 hours to stabilize before making adjustments.

## STEP 11 START ICEMAKER



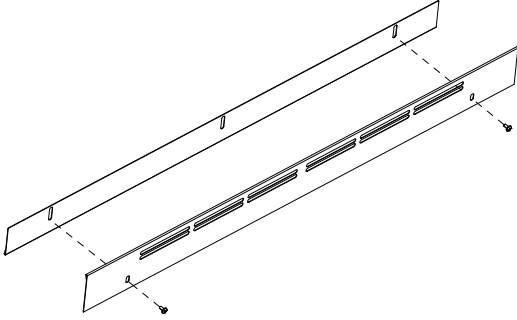
- Flip the switch to I (ON). The icemaker will begin operation automatically.
- Be sure nothing interferes with the sweep of the feeler arm.
- Discard the first full bucket of ice cubes.
- To turn the icemaker off, set the switch to O (OFF).



# Installation Instructions

## STEP 12 INSTALL TOEKICK

- Locate the 2 supplied toekicks (shipped taped to the side of the refrigerator). Install the toekick assembly with the 2 screws provided, adjust to the desired height and tighten the screws.



- A custom toekick can be installed to match or complement the surrounding cabinetry. Use the supplied toekick as a template to cut the shape.

**IMPORTANT:** The gap between the bottom of the refrigerator cabinet and the top of the toekick must remain unobstructed for proper air circulation.

## INSPECT FINAL INSTALLATION

Check door alignment

Stand back away from the refrigerator to inspect the final installation.

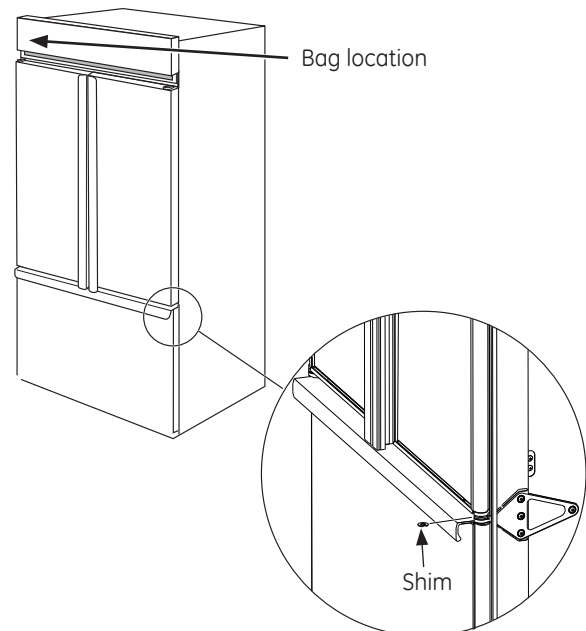
- Installation or the addition of heavy door panels may have caused the doors to move slightly out of alignment. Check to be sure the top of the doors are evenly aligned with each other. If necessary, the doors may be adjusted up or down to align.
- Add or subtract shims as shown to adjust the right door only. More shims are located under the hood on the left side in the bag with the filter bypass plug and mini manual.

### To Raise Right Hand Door

- Lift the right hand door up so there is a gap below the bottom hinge bushing.
- Snap a shim onto the hinge pin below the bushing.
- Lower the door and re-check the alignment.
- Repeat as necessary.

### To Lower Right Hand Door

- Lift the right hand door up so there is a gap below the bottom hinge bushing.
- Remove a shim by pushing shim off of the hinge pin.
- Lower the door and re-check the alignment.
- Repeat as necessary.





# Notes

---

# Notes

---

# Notes

---

**NOTE:** While performing installations described in this book, safety glasses or goggles should be worn.

**For Monogram® local service in your area, call 1.800.444.1845.**

**NOTE:** Product improvement is a continuing endeavor at General Electric. Therefore, materials, appearance and specifications are subject to change without notice.

31-49074
----------

224D3560P002
--------------

12-14 GE



**GE**  
**Appliances**  
Appliance Park  
Louisville, KY 40225  
[GEAppliances.com](http://GEAppliances.com)