

SECTION 1

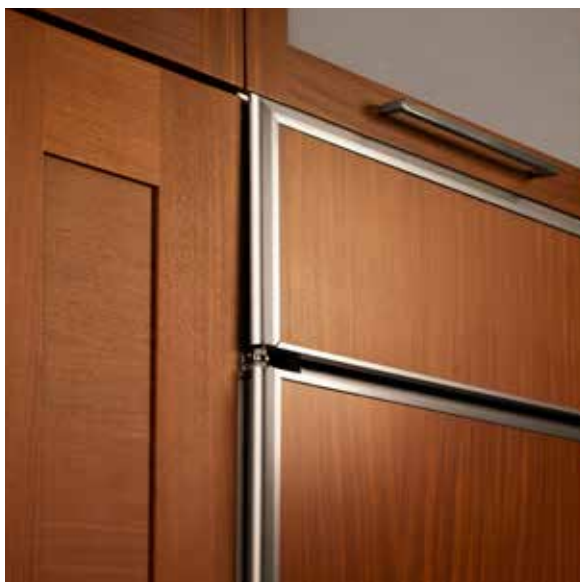
FLUSH INSET INSTALLATION



SECTION 2

STANDARD INSTALLATION

1/4" FRAMED PANELS



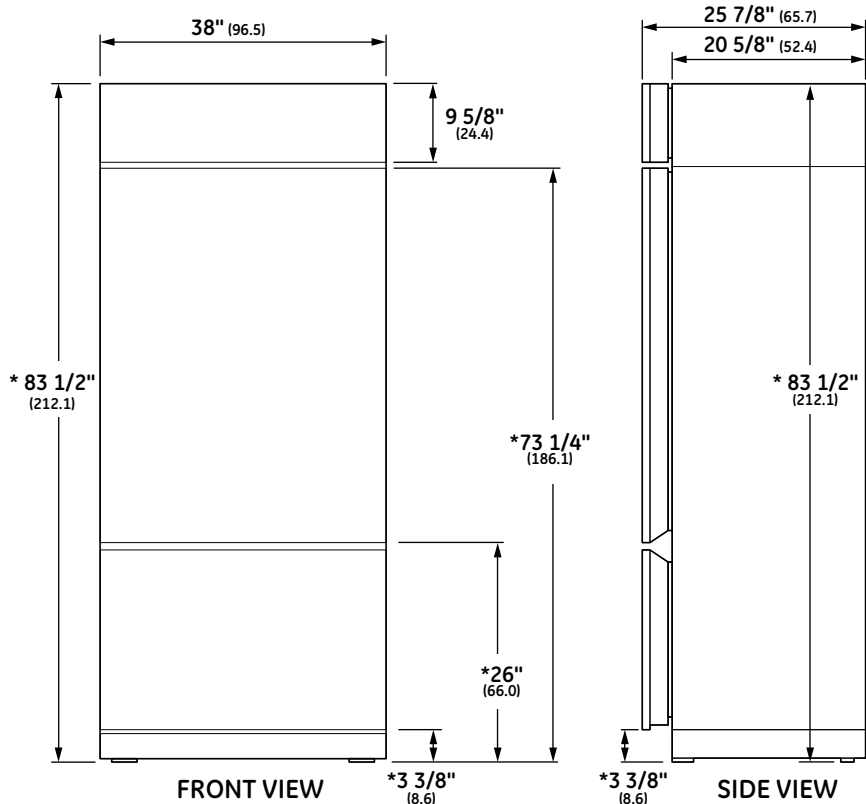
3/4" OVERLAY PANELS



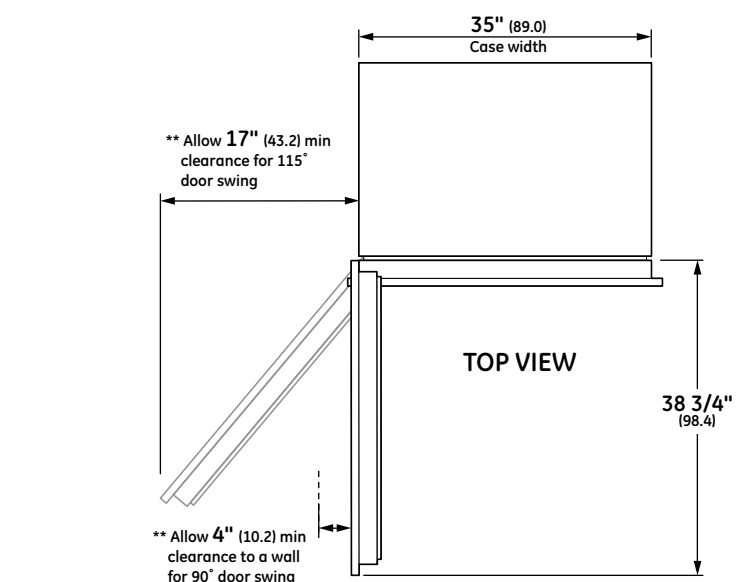


OVERALL DIMENSIONS

FLUSH INSET INSTALLATION



* Shipping height. Use leveling legs and wheels for maximum 1" height adjustment from shipping height. Nominal installation height is 84"



** These refrigerators are equipped with a 2-position door stop. The factory-set 115° door swing can be adjusted to 90° if clearances to adjacent cabinets or walls is restricted. Allow a 15" minimum clearance to wall for pan removal. If the 90° door stop position is used, pan access is maintained, but pan removal is restricted.

Dimensions in parentheses are in centimeters unless otherwise noted. Actual product dimensions may vary due to manufacturing tolerances.

SPECIFICATIONS

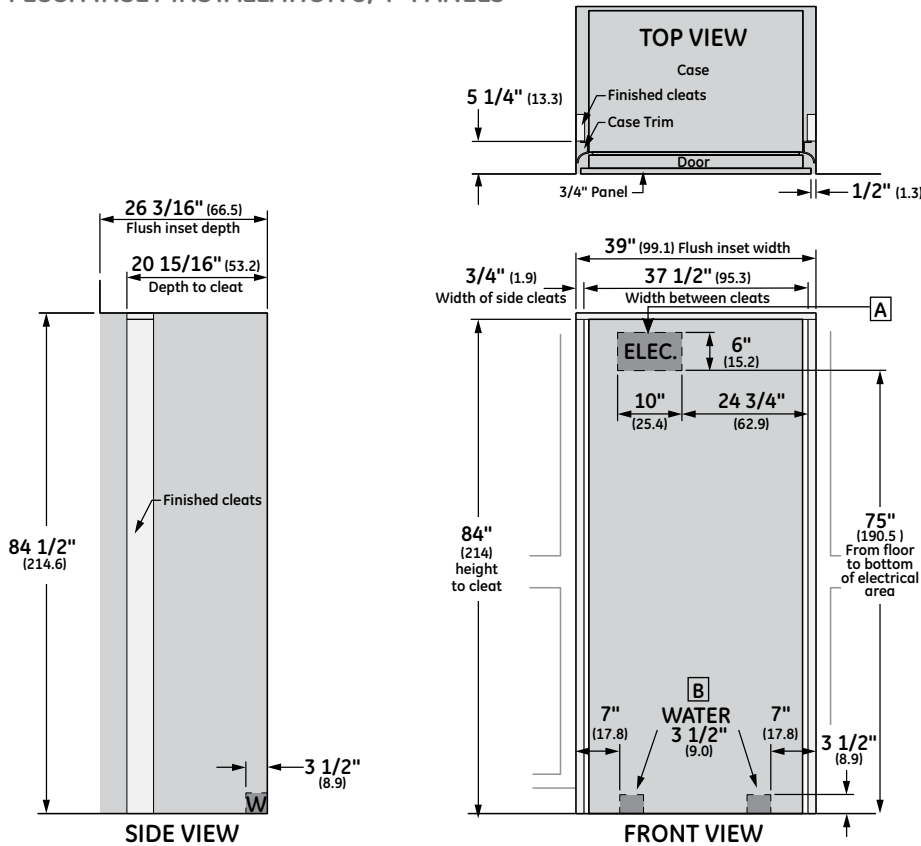
Overall Width	38" (96.5 cm)†
Overall Height	83 1/2" (212.1 cm)†
Overall Depth	25 7/8" (65.7 cm)†
Door Clearance	38 3/4" (98.4 cm)
Cutout Width	39" (99.1 cm)
Cutout Height	84 1/2" (214.6 cm)
Cutout Depth	26 3/16" (66.5 cm)
Plumbing Requirements	1/4" OD copper tubing or GE SmartConnect kit
Shipping Weight	640 lb (290.3 kg)

† Dimensions include 3/4" custom cabinet panel

ATTENTION ELECTRICIAN:
 A 115 volt 60Hz., 15 or 20 amp power supply is required. An individual properly grounded branch circuit or circuit breaker is recommended. Install a properly grounded 3-prong electrical receptacle recessed into the back wall.



FLUSH INSET INSTALLATION 3/4" PANELS



FLUSH INSET INSTALLATION

NOTES

- A** Mounting the junction box in this location will also allow for front accessibility through access panel.
- B** Water supply area.

WARNING:

The refrigerator is top heavy and must be secured to prevent the possibility of tipping forward. Failure to do so may result in death or serious injury.

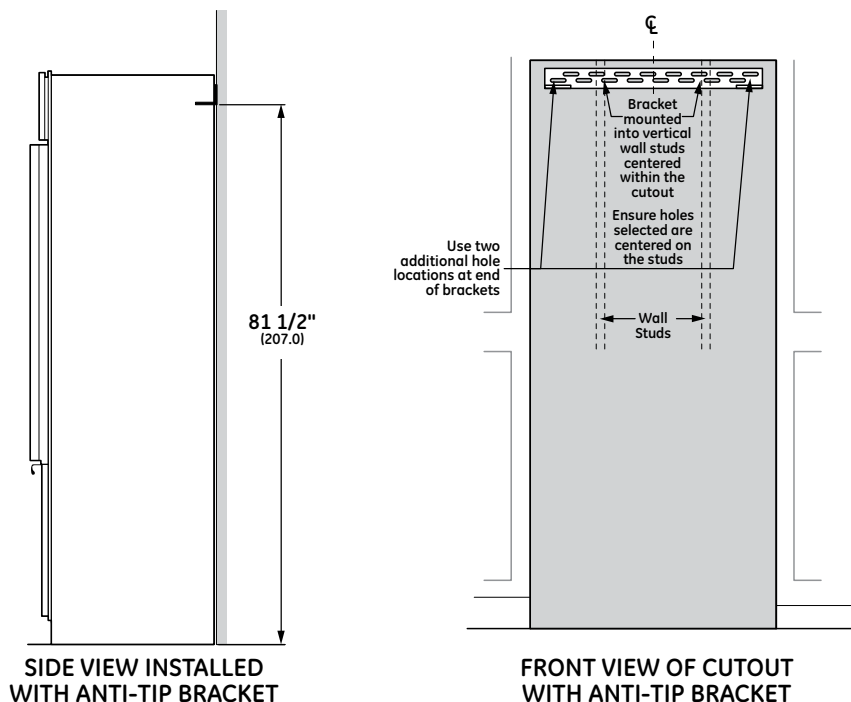
The information below is for cabinet design only. When installing the anti-tip system you must use the product installation instructions.

The information below applies to all installation constructions:

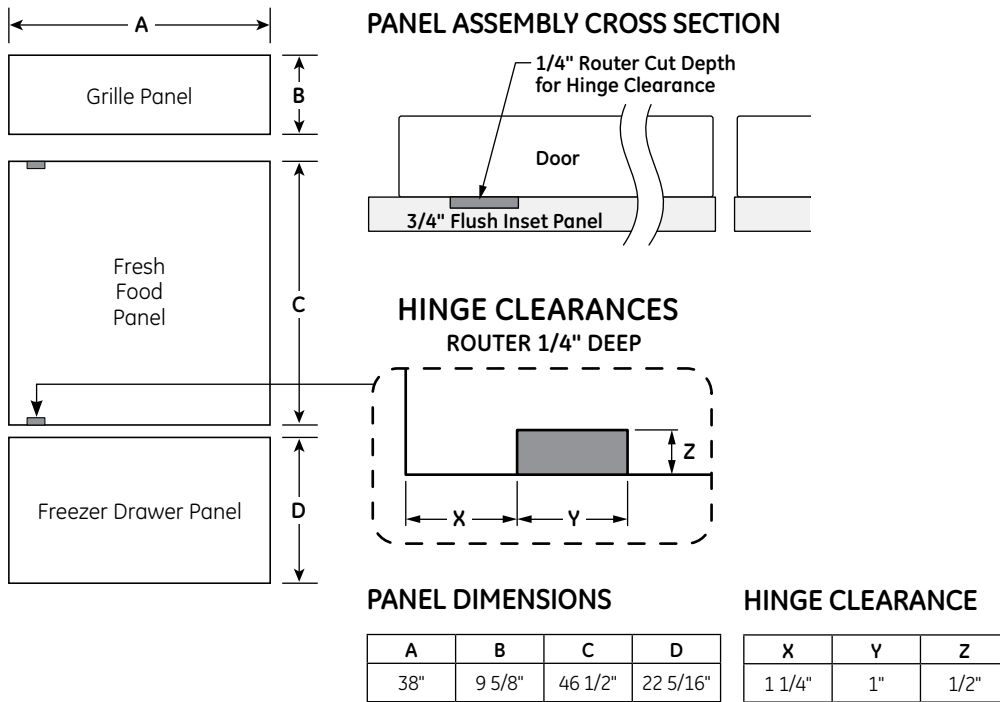
- A wall bracket, bolts and toggles will be supplied with the unit.
- The bolts will be used to attach bracket to wall in 4 locations. Two of the locations must penetrate the center of the wall studs.
- The toggles are used for stability in drywall and when metal studs are encountered. Lag bolts are used in wood studs.
- In installation opening, measure 81 1/2" from floor and draw a horizontal line.
- Locate and mark the wall studs on horizontal line. Verify at least two studs have their centerlines within the center 32.5" of installation opening to ensure 2 wall studs are penetrated.
- The bracket will be centered left to right in opening with bottom of bracket on the horizontal line.
- When unit is placed in opening, the bracket tabs will align with openings in back of the unit. The unit will be secured to the bracket using supplied "L" bolts.

See Installation Instructions for detailed instructions.

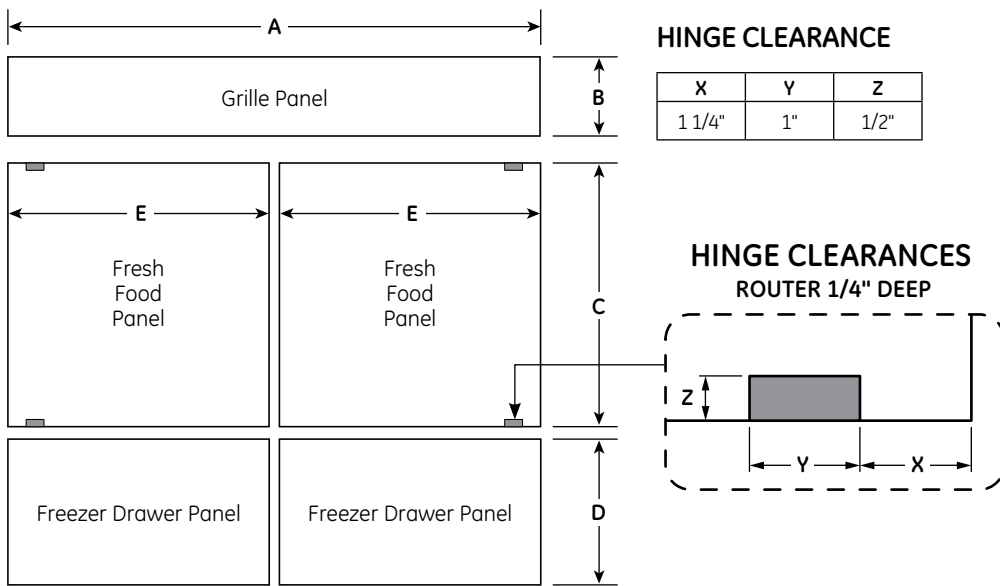
ANTI-TIP BRACKET



FLUSH INSET 3/4" PANEL DIMENSIONS SINGLE INSTALLATION



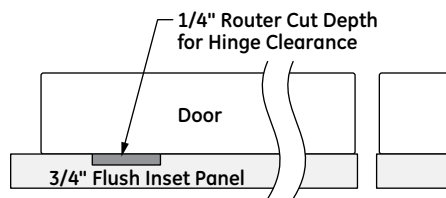
FLUSH INSET 3/4" PANEL DIMENSIONS DUAL INSTALLATION



PANEL DIMENSIONS

A	B	C	D	E
74 1/8"	9 5/8"	46 1/2"	22 5/16"	36 15/16"

PANEL ASSEMBLY CROSS SECTION



FLUSH INSET INSTALLATION

NOTES

Trimmed refrigerators are designed to be customized with decorative panels. Field-installed custom door and grille panels are required.

Adjustment brackets allow 1/8" fine adjustment of panel position in 3 dimensions.

Use templates provided to locate mounting brackets on the door and grille panels.

Maximum total panel weight:

- Fresh food door panels – 58 lbs.
- Freezer drawer panel – 28 lbs.
- Grille panel – 11 lbs

Door Handles

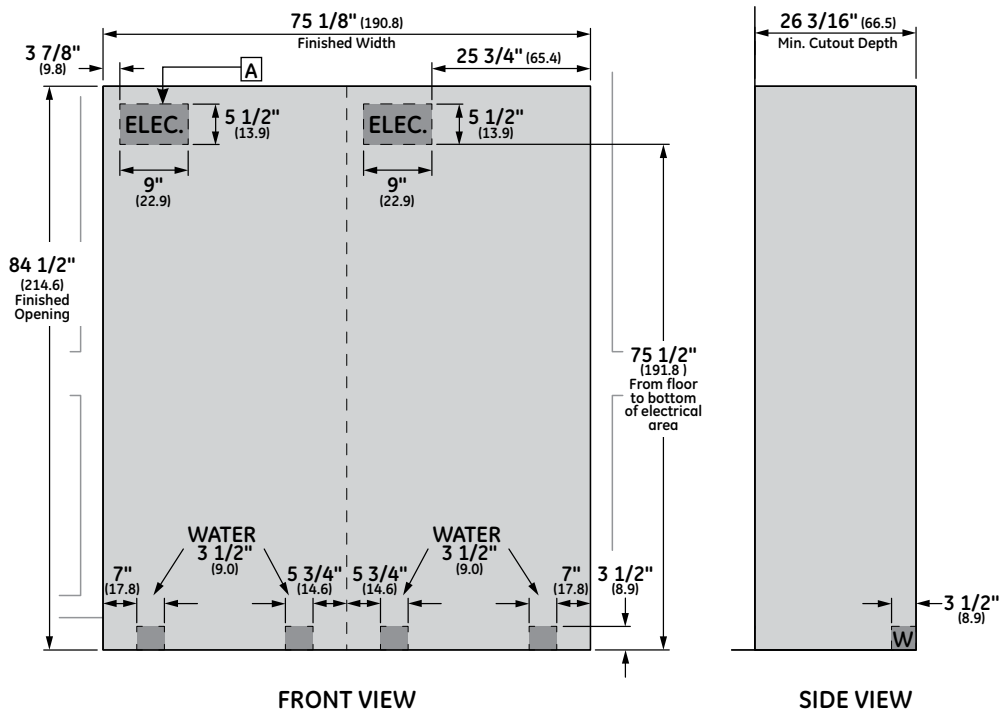
Door handles not included. Custom handles supplied by your cabinet maker may be used.

ZKHPSS1: Professional tubular stainless steel handle designed to fit 3/4" panels. Kit includes one handle – 30 1/2" long. Order 2 kits from your Monogram supplier.

ZKHCS2: European tubular handle designed to fit 3/4" panels. Kit includes 2 handles. Door handle is 44 3/16" and drawer handle is 33 3/16".

Order ZUGF2: Unified grille kit for dual installation. Maximum total panel weight - 25 lbs.

DUAL INSTALLATIONS

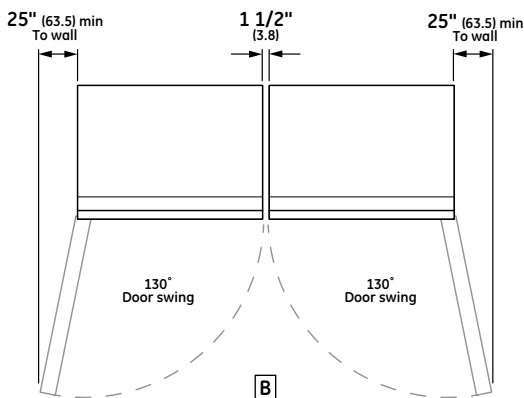


FLUSH INSET INSTALLATION

NOTES

- A** A separate 115V, 60Hz, 15- or 20-amp power supply is recommended for each product.
- B** In a side-by-side installation of a left-and-right-hand door swing product, 1 1/2" clearance between the units is required. Order ZUGF2 custom panel unified grille kit for this installation.

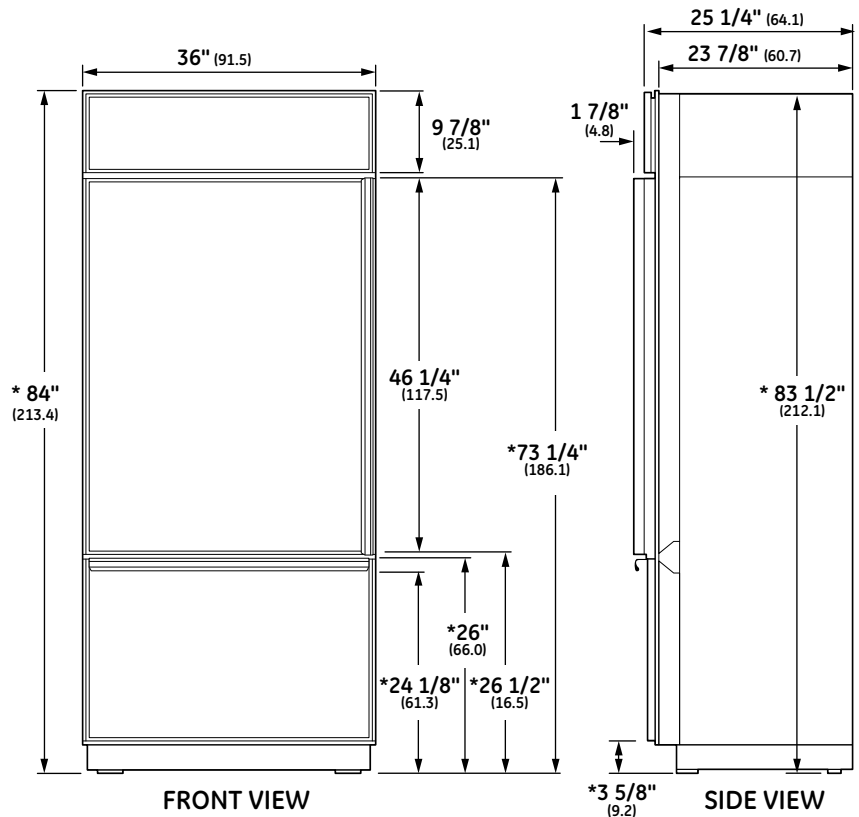
DUAL PRODUCT CLEARANCES





OVERALL DIMENSIONS

STANDARD INSTALLATION



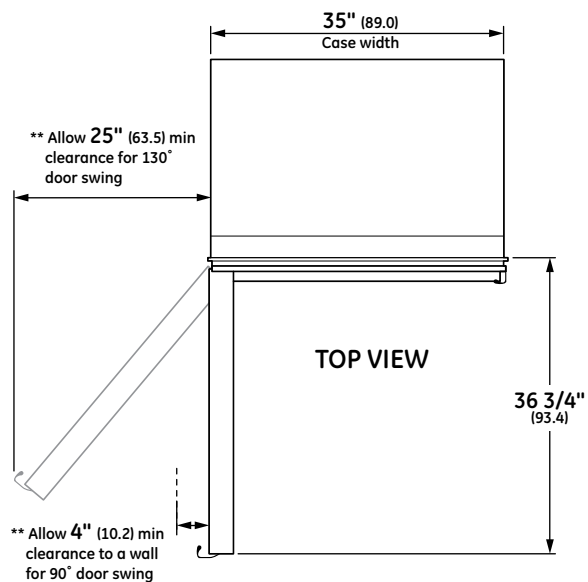
* Shipping height. Use leveling legs and wheels for maximum 1" height adjustment from shipping height.

SPECIFICATIONS

Overall Width	36" (91.4 cm)
Overall Height	84" (213.4 cm)
Overall Depth	25 3/8" (64.5 cm)
Door Clearance	36 3/4" (93.4 cm)
Cutout Width	35 1/2" (90.2 cm)
Cutout Height	83 1/2" - 84 1/2" (212.1 - 214.6 cm)
Cutout Depth	24" (61 cm)
Plumbing Requirements	1/4" OD copper tubing or GE SmartConnect kit
Shipping Weight	640 lb (290.3 kg)

ATTENTION ELECTRICIAN:

A 115 volt 60Hz., 15 or 20 amp power supply is required. An individual properly grounded branch circuit or circuit breaker is recommended. Install a properly grounded 3-prong electrical receptacle recessed into the back wall.

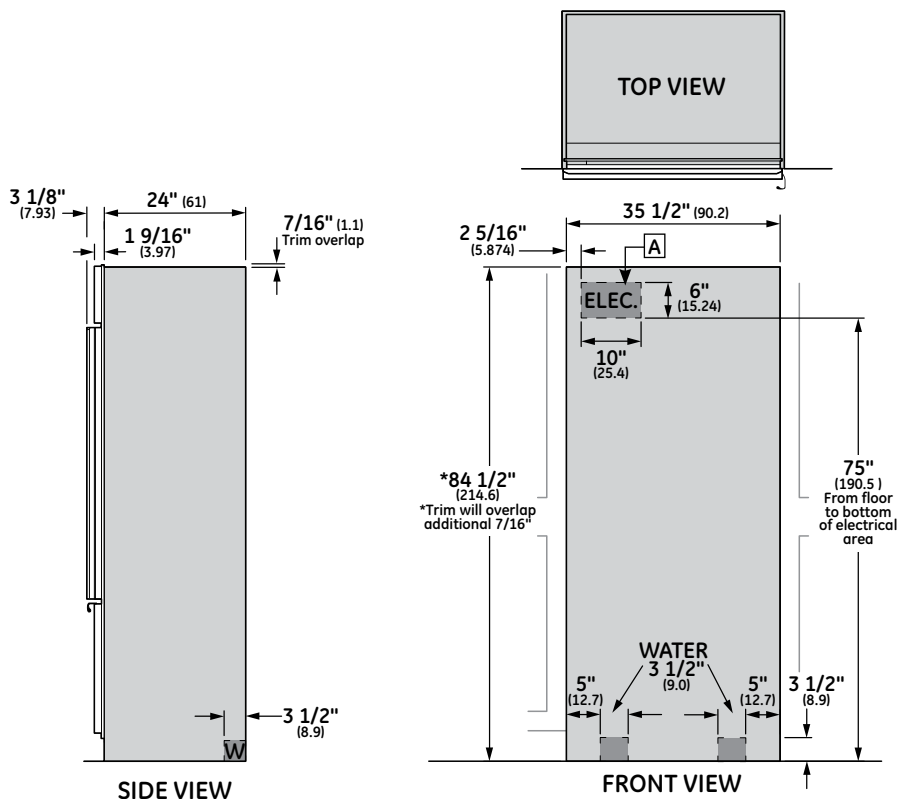


** These refrigerators are equipped with a 2-position door stop. The factory-set 130° door swing can be adjusted to 90° if clearances to adjacent cabinets or walls is restricted. Allow a 15" minimum clearance to wall for pan removal. If the 90° door stop position is used, pan access is maintained, but pan removal is restricted.

Dimensions in parentheses are in centimeters unless otherwise noted. Actual product dimension may vary due to manufacturing tolerances.



STANDARD INSTALLATION



STANDARD INSTALLATION

NOTES

A Mounting the junction box in this location will also allow for front accessibility through access panel.

B Water supply area.

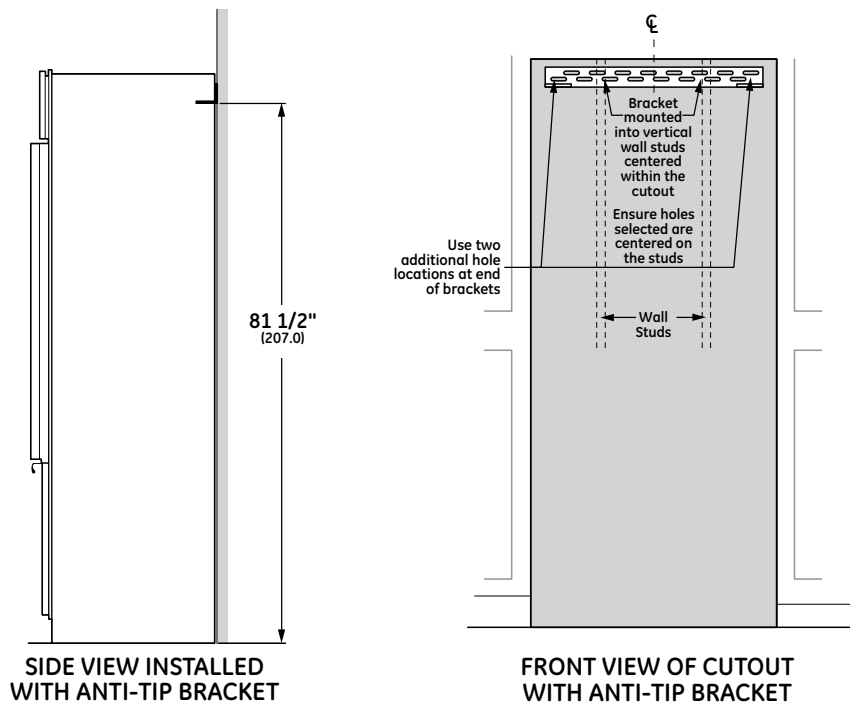
WARNING:
The refrigerator is top heavy and must be secured to prevent the possibility of tipping forward. Failure to do so may result in death or serious injury.
The information below is for cabinet design only. When installing the anti-tip system you must use the product installation instructions.

The information below applies to all installation constructions:

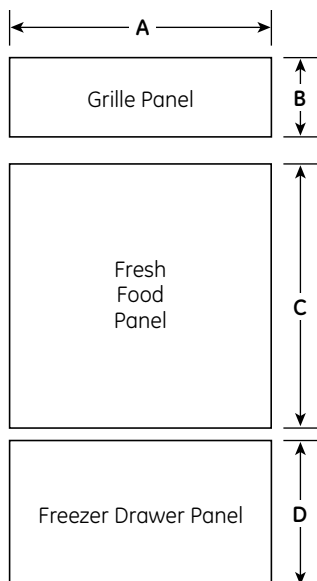
- A wall bracket, bolts and toggles will be supplied with the unit.
- The bolts will be used to attach bracket to wall in 4 locations. Two of the locations must penetrate the center of the wall studs.
- The toggles are used for stability in drywall and when metal studs are encountered. Lag bolts are used in wood studs.
- In installation opening, measure 81 1/2" from floor and draw a horizontal line.
- Locate and mark the wall studs on horizontal line. Verify at least two studs have their centerlines within the center 32.5" of installation opening to ensure 2 wall studs are penetrated.
- The bracket will be centered left to right in opening with bottom of bracket on the horizontal line.
- When unit is placed in opening, the bracket tabs will align with openings in back of the unit. The unit will be secured to the bracket using supplied "L" bolts.

See Installation Instructions for detailed instructions.

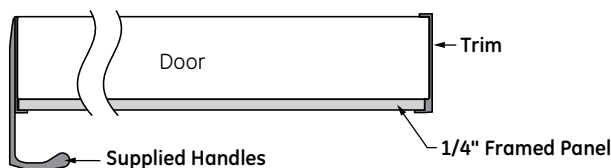
ANTI-TIP BRACKET



STANDARD 1/4" FRAMED PANEL DIMENSIONS SINGLE INSTALLATION



PANEL ASSEMBLY CROSS SECTION



PANEL DIMENSIONS

	A	B	C	D
1/4" Framed Panel	33 7/8"	8 7/8"	46 1/16"	21 7/8"

STANDARD INSTALLATION

NOTES

Trimmed refrigerators are designed to be customized with decorative panels. Field-installed custom door and grille panels are required.

1/4" Framed Panels:

Order trim kit #ZTKBFLHH

for 1/4" thick custom panels ordered from your cabinet maker. The decorative panels slide into the trim.

Maximum total panel weight:

- Fresh food door panel – 58 lbs.
- Freezer drawer panel – 28 lbs.
- Grille panel – 11 lbs.

3/4" Overlay Panels:

Order trim kit #ZTKBFLHH

for 3/4" thick custom panels ordered from your cabinet maker. The decorative panels slide into the trim. The overlay panel must be secured to a 1/4"-thick backer panel which slides into the trim. A spacer panel 0.10" thick must be placed between the overlay and backer panels.

Center each panel over the other. Assemble the panels with glue and screws. Screws must be countersunk into the backer panel.

NOTE: Left-to-right offset is not always equal to top-to-bottom offset.

Maximum total panel weight:

- Fresh food door panel – 58 lbs.
- Freezer drawer panel – 28 lbs.
- Grille panel – 11 lbs.

Door Handles:

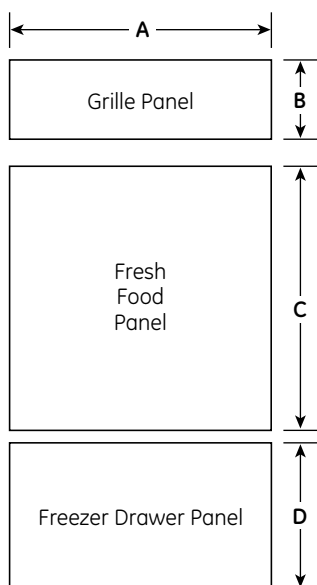
The supplied handles can be adjusted to accommodate both framed or overlay panels. Custom handles of your choice, supplied by your cabinet maker, can also be installed.

ZKHPSS1: Professional Tubular Stainless Steel Handle designed to fit 3/4" overlay panels.

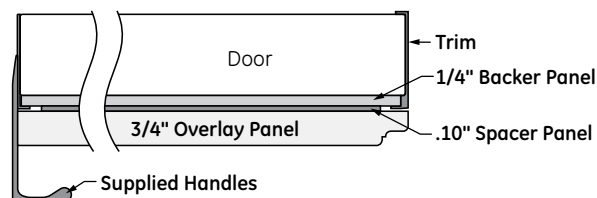
ZKHCSS2: European tubular handle designed to fit 3/4" panels. Kit includes 2 handles.

Door handle is 44 3/16" and drawer handle is 33 3/16".

STANDARD 3/4" OVERLAY PANEL DIMENSIONS SINGLE INSTALLATION



PANEL ASSEMBLY CROSS SECTION



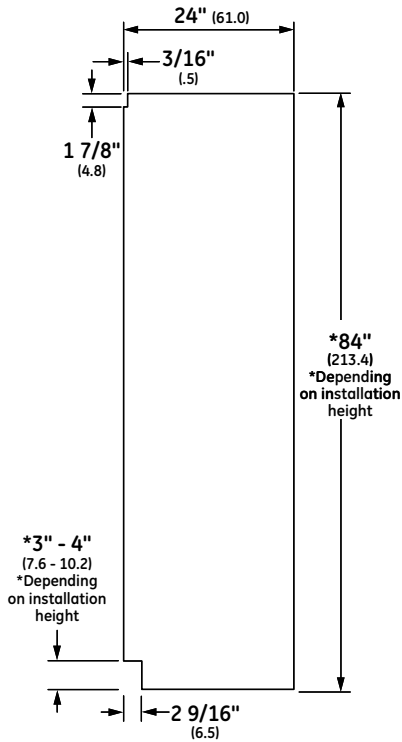
PANEL DIMENSIONS

	A	B	C	D
1/4" Backer Panel	33 7/8"	8 7/8"	46 1/16"	21 7/8"
.10" Spacer Panel	32 1/2"	7 5/8"	44 11/16"	20 1/2"
3/4" Overlay Panel	34 1/8"	9"	46 5/16"	22"

.25" + .10" + .75" = 1.10" Total Panel Thickness

CUSTOM SIDE PANELS

F

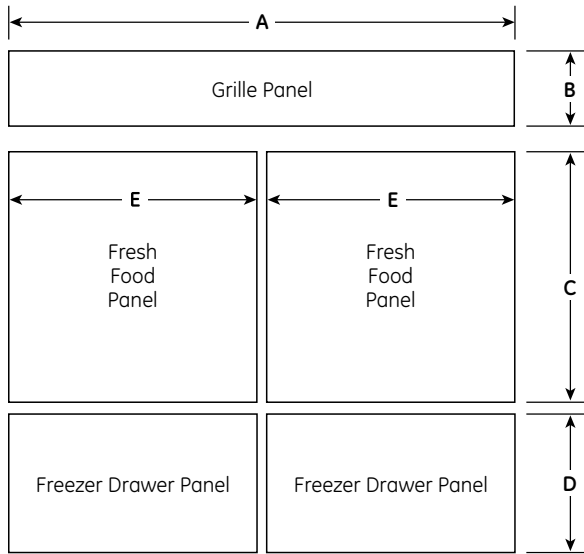


STANDARD INSTALLATION

NOTES

F Side panels must be used whenever the sides of the refrigerator will be exposed. The 1/4" side panels will slip into the side case trim. Secure the panels to the refrigerator with stick-on hook and loop fastener strips. Order the side panels from the cabinet manufacturer.

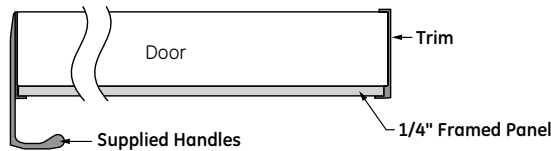
STANDARD 1/4" FRAMED PANEL DIMENSIONS DUAL INSTALLATION



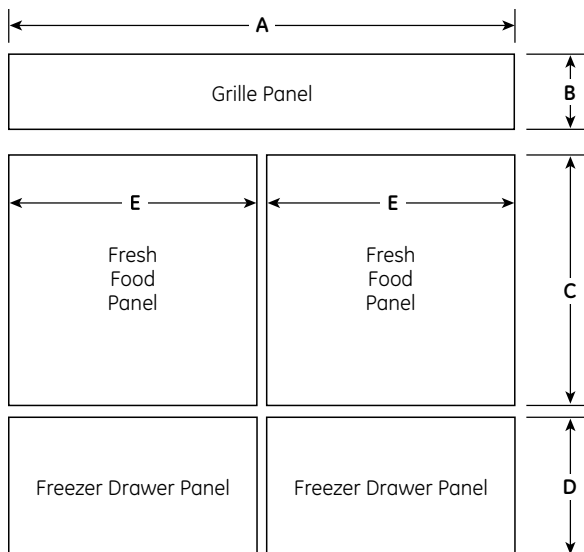
PANEL DIMENSIONS

	1/4" Framed Panel
A	69 7/8"
B	8 7/8"
C	46 1/16"
D	21 7/8"
E	33 7/8"

PANEL ASSEMBLY CROSS SECTION



STANDARD 3/4" OVERLAY PANEL DIMENSIONS DUAL INSTALLATION

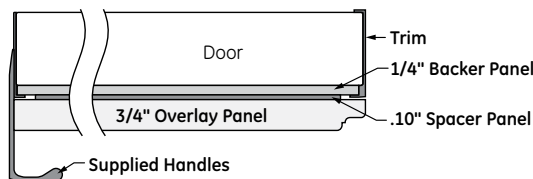


PANEL DIMENSIONS

	1/4" Backer Panel	.10" Spacer Panel	3/4" Overlay Panel
A	69 7/8"	68 1/2"	70 1/8"
B	8 7/8"	7 5/8"	9"
C	46 1/16"	44 11/16"	46 5/16"
D	21 7/8"	20 1/2"	22"
E	33 7/8"	32 1/2"	34 1/8"

$.25" + .10" + .75" = 1.10"$ Total Panel Thickness

PANEL ASSEMBLY CROSS SECTION



STANDARD INSTALLATION

NOTES

Trimmed refrigerators are designed to be customized with decorative panels. Field-installed custom door and grille panels are required.

1/4" Framed Panels:

Order trim kit #ZTKBFLHH for 1/4" thick custom panels ordered from your cabinet maker. The decorative panels slide into the trim.

Maximum total panel weight:

- Fresh food door panel – 58 lbs.
- Freezer drawer panel – 28 lbs.
- Grille panel – 25 lbs.

Order ZUG2: Unified grille kit for dual installation

3/4" Overlay Panels:

Order trim kit #ZTKBFLHH for 3/4" thick custom panels ordered from your cabinet maker. The decorative panels slide into the trim. The overlay panel must be secured to a 1/4"-thick backer panel which slides into the trim. A spacer panel 0.10" thick must be placed between the overlay and backer panels.

Center each panel over the other. Assemble the panels with glue and screws. Screws must be countersunk into the backer panel.

NOTE: Left-to-right offset is not always equal to top-to-bottom offset.

Maximum total panel weight:

- Fresh food door panel – 58 lbs.
- Freezer drawer panel – 28 lbs.
- Grille panel – 25 lbs.

Order ZUG2: Unified grille kit for dual installation

Door Handles:

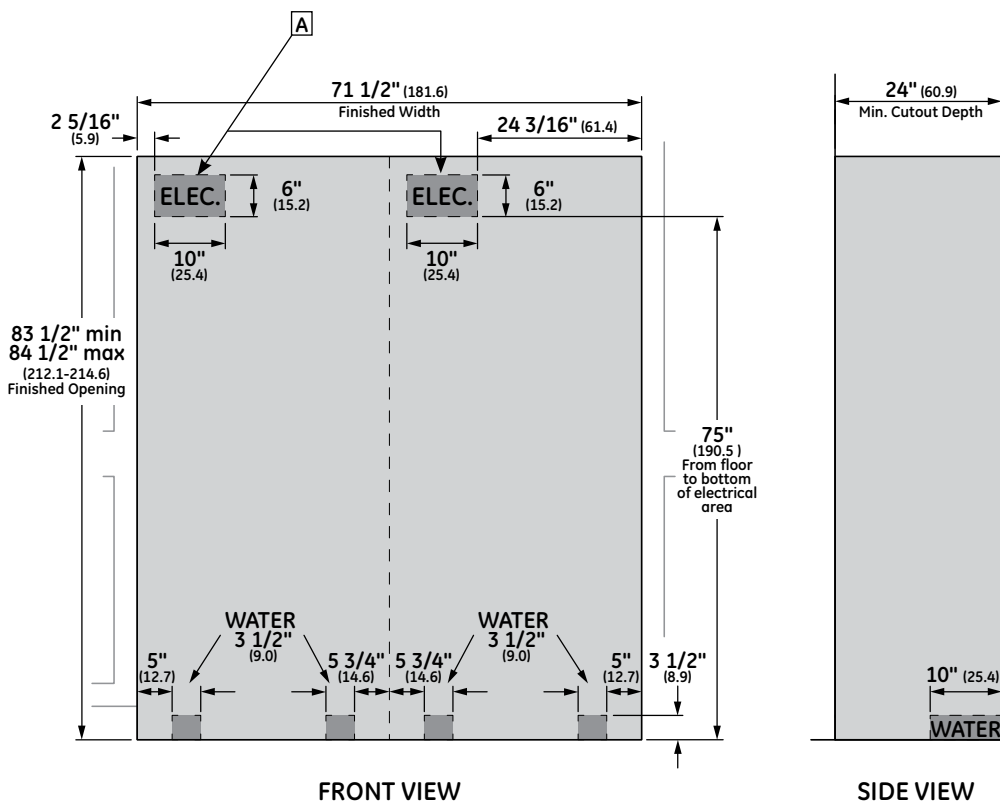
The supplied handles can be adjusted to accommodate both framed or overlay panels. Custom handles of your choice, supplied by your cabinet maker, can also be installed.

ZKHPSS1: Professional Tubular Stainless Steel Handle designed to fit 3/4" overlay panels.

ZKHCSS2: European tubular handle designed to fit 3/4" panels. Kit includes 2 handles.

Door handle is 44 3/16" and drawer handle is 33 3/16".

DUAL INSTALLATIONS

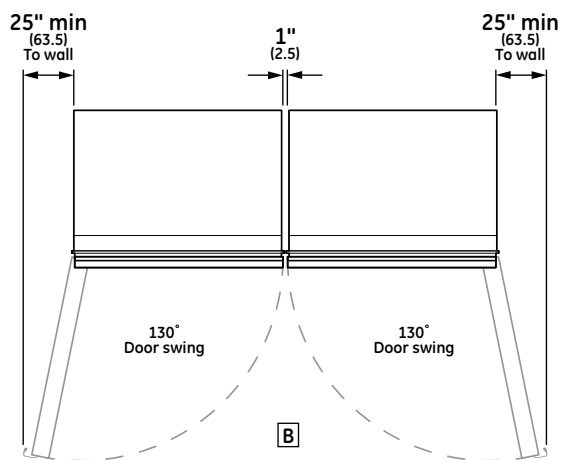


STANDARD INSTALLATION

NOTES

- A** A separate 115V, 60Hz, 15- or 20-amp power supply is recommended for each product.
 - Additional cutout width may be required when side panels are used.
 - B** In a side-by-side installation of a left-and-right-hand door swing product, 1" clearance between the units is required.
- Order ZUG2:** custom panel unified grille kit for one continuous grille panel.

DUAL PRODUCT CLEARANCES



FEATURES AND BENEFITS

Custom Appearance - Allows personalization with cabinet-compatible panels and custom handles

Upfront Electronic Controls with Digital Readout - Allows precise temperature settings and are positioned for maximum ease of use

Humidity Controlled Vegetable Compartments and Sealed Snack Pans - Help maintain freshness and help preserve foods longer

Adjustable, Spill Proof Glass Shelves - Make it easy to customize storage to handle foods and containers of various sizes

2 Sealed Deli Pans with Full-Extension Slides

Six Adjustable Door Bins - Offer added storage flexibility

GE Water™ Filtration System - Delivers clean, great tasting ice



70 to 90% U.S. content. Product content details at GEAppliances.com/USA

