

INSTALLATION INSTRUCTIONS

30", 36" and 48"

All Gas Professional Ranges

ENGLISH/FRANÇAIS/ESPAÑOL

Safety Information

Questions? Call GE Appliances at 1.800.GE.CARES (1.800.432.2737) or visit www.GEAppliances.com. In Canada, call 1.800.561.3344 or visit www.GEAppliances.ca.

IN THE COMMONWEALTH OF MASSACHUSETTS

- This product must be installed by a licensed plumber or gas fitter.
- When using ball type gas shut-off valves, they shall be the T-handle type.
- A flexible gas connector, when used, must not exceed 5 feet.

⚠ WARNING FIRE OR EXPLOSION HAZARD

If the information in this manual is not followed exactly, a fire or explosion may result causing property damage, personal injury or death.

Installation must be performed by a qualified installer.

Read these instructions completely and carefully.

Installation of this range must conform with local codes, or in the absence of local codes, with the National Fuel Gas Code, ANSI Z223.1/NFPA.54, latest edition. In Canada, installation must conform with the current Natural Gas Installation Code, CAN/CGA-B149.1 or the current Propane (LP) Installation Code, CAN/CGA-B149.2, and with local codes where applicable. This range has been design-certified by CSA International according to ANSI Z21.1, latest edition and Canadian Gas Association according to CAN/CGA-1.1 latest edition.

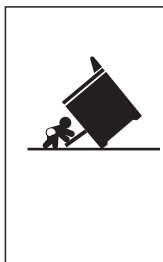
When installing a gas appliance the use of old flexible connectors can cause gas leaks and personal injury. Always use a NEW flexible connector.

Leak testing of the appliance shall be conducted according to the manufacturer instructions.

The range must be electrically grounded in accordance with local codes or, in the absence of local codes, in accordance with the National Electrical Code (ANSI/NFPA 70, latest edition). In Canada, electrical grounding must be in accordance with the current CSA C22.1 Canadian Electrical Code Part 1 and/or local codes. See Electrical Connections in this section.

Do not install this product with an air curtain hood or other range hood that operates by blowing air down on the cooktop. This airflow may interfere with operation of the gas burners resulting in fire or explosion hazard.

FOR YOUR SAFETY

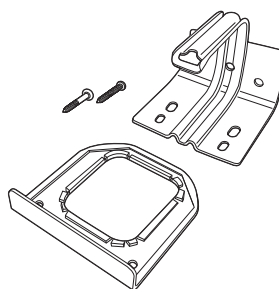


⚠ WARNING

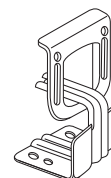
Tip-Over Hazard

- A child or adult can tip the range and be killed.
- Install the anti-tip bracket to the wall or floor.
- Engage the range to the anti-tip bracket by sliding the range back such that the foot is engaged.
- Re-engage the anti-tip bracket if the range is moved.
- Failure to do so can result in death or serious burns to children or adults.

If you did not receive an anti-tip bracket with your purchase, call 1.800.626.8774 to receive one at no cost. (In Canada, call 1.800.561.3344.) For installation instructions of the bracket, visit: www.GEAppliances.com. (In Canada, www.GEAppliances.ca.)



Anti-Tip Bracket Kit Included



Rear View

⚠ WARNING Before beginning the installation, switch power off at service panel and lock the service disconnecting means to prevent power from being switched on accidentally. When the service disconnecting means cannot be locked, securely fasten a prominent warning device, such as a tag, to the service panel.

READ AND SAVE THESE INSTRUCTIONS

Safety Information

BEFORE YOU BEGIN

Read these instructions completely and carefully.

- **IMPORTANT** — Save these instructions for local inspector's use.
- **IMPORTANT** — Observe all governing codes and ordinances.
- **IMPORTANT** — Remove all packing material and literature from oven before connecting gas and electrical supply to range.
- **IMPORTANT** — To avoid damage to your cabinets, check with your builder or cabinet supplier to make sure that the materials used will not discolor, delaminate or sustain other damage. This oven has been designed in accordance with the requirements of UL and CSA International and complies with the maximum allowable wood cabinet temperatures of 194°F (90°C).
- **Note to Installer** — Be sure to leave these instructions with the consumer.
- **Note to Consumer** — Keep these instructions with your Owner's Manual for future reference.
- **Service** — The electrical diagram is in an envelope attached to the back of the range.
- Proper installation is the responsibility of the installer.
- Product failure due to improper installation is not covered under warranty.
- Before installing your range on linoleum or any other synthetic floor covering, make sure the floor covering can withstand 180°F without shrinking, warping or discoloring. Do not install the range over carpeting unless a sheet of 1/4" thick plywood or similar insulator is placed between the range and carpeting.
- For Monogram local service in your area, 1.800.444.1845.
- For Monogram Service in Canada, call 1.800.561.3344.
- For Monogram Parts and Accessories, call 1.800.626.2002.
- If you received a damaged range, you should contact your dealer.

IF SOLD OUTSIDE THE U.S. AND CANADA

▲ WARNING If you wish to use this product with Liquefied Petroleum (LP) gas containing greater than 10% butane, you must purchase the butane conversion kit #WB28K10589. To order, please call 1.888.664.8403 or 1.787.276.4051. Failure to do so may result in carbon monoxide or fire hazard.

VENT HOOD COMBINATIONS

A suitable overhead vent hood is required for models with a grill and is recommended for all other models.

Due to the high heat capacity of this unit, particular attention should be paid to the hood and ductwork installation to assure it meets local building codes.

Clearances to horizontal surfaces above the range, measured to the cooking surface are below. Failure to comply may result in fire hazard.

- Installations without a hood require 48" minimum to combustibles.
- A custom hood installation with exposed horizontal combustibles surfaces must have an Auto-On feature.
- For other installations with a hood, refer to hood installation instructions for specific hood clearances.

▲ CAUTION These ranges weigh up to 700 pounds. Some disassembly will reduce the weight considerably. Due to the weight and size of the range and to reduce the risk of personal injury or damage to the product:

TWO PEOPLE ARE REQUIRED FOR PROPER INSTALLATION OF 36" AND 30" RANGES.

THREE PEOPLE ARE REQUIRED FOR PROPER INSTALLATION OF 48" RANGES.

READ AND SAVE THESE INSTRUCTIONS

Contents

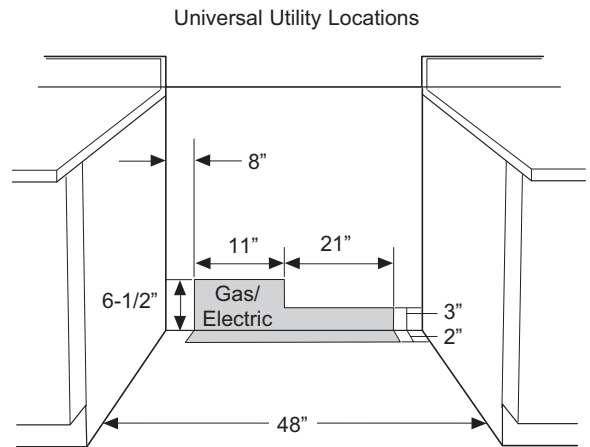
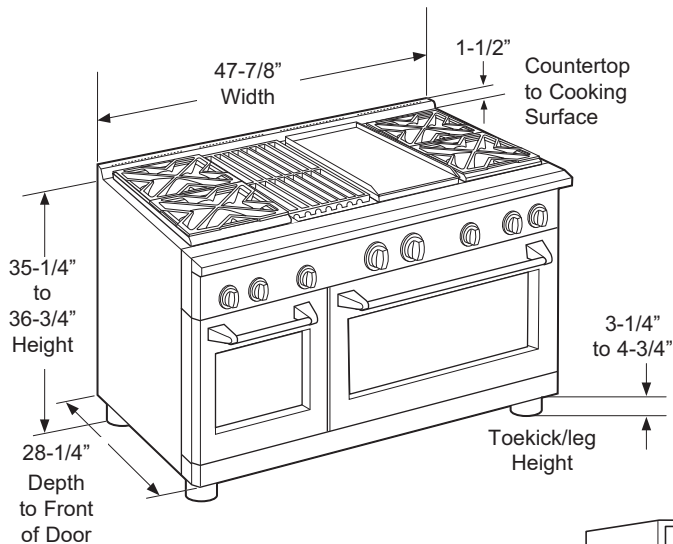
CONTENTS

Safety Information	2	UX12B36PSS Accessory Installation	
Design Information		Tools and Materials Required	19
Product Dimensions and Clearances	5	Install 12" Backsplash	19
Installation Preparation		UXADJB36PSS, UXADJB48PSS	
WB28K10553 High Altitude Kit	9	Accessory Installation	
WB28K10554 De-Rate Kit	9	Tools and Materials Required	20
Materials Provided	9	Install the Wall Support Panels	20
Tools Required	9	Install Cover Panels	21
Materials Required	9	Installation Instructions	
Installation		Conversion to Propane (LP) or Natural Gas	
Remove Packaging	10	Tools You Will Need for Conversion	22
Move the Range Indoors	11	Orifice Holder	22
Install Anti-Tip Device	12	Convert the Regulator(s)	22
Conversion to Propane (LP) or Natural Gas	13	Change Burner Orifices	22
Gas Supply	13	Change Grill Orifice	23
Electrical Connections	14	Change Griddle Orifice	24
Roll Range into Position	14	Change Main Bake Burner Orifice	24
Level the Range	15	Change Companion Bake Burner Orifice	25
Replace Oven Door(s)	15	Change Main/Companion Broil Burner Orifice	25
Check Burners	16	Adjust Top Burner Valves	26
Check Surface Burners	16	Burner Output Ratings: Btu/Hr	26
Check Operation of Oven Bake Burners	16		
Adjusting the Bake Burner at Shutter	16		
Check Operation of Oven Broil Burner	17		
When All Hookups are Completed	17		
Finalize Installation	17		
Installation Checklist	17		
Accessories—Toekick	18		

Design Information

PRODUCT DIMENSIONS AND CLEARANCES

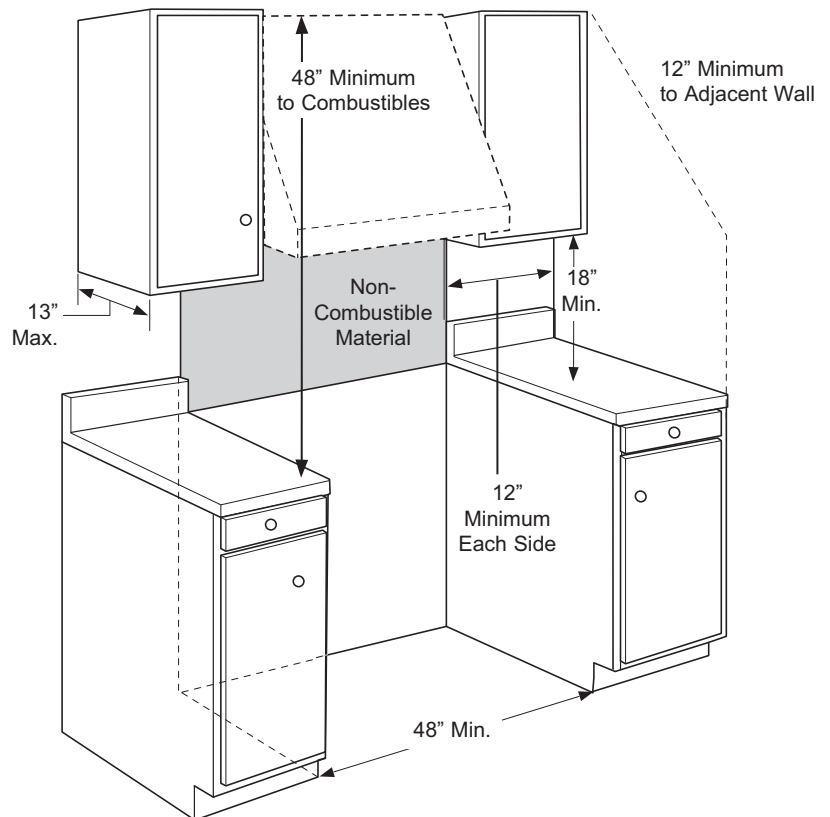
48" Range Models



⚠ WARNING Installations without a hood require 48" minimum to combustibles. A custom hood installation with exposed horizontal combustible surfaces must have an Auto-On feature. Refer to hood installation instructions for specific hood clearances.

The surface of the entire back wall above the range and below the hood must be covered with a non-combustible material. The material should be no less than 0.25" (6.4 mm) thick flame-retardant millboard covered with no less than No. 28 MSG sheet metal 0.015" (0.38 mm) thick, 0.015" (0.38 mm) thick stainless steel, 0.25" (0.64 mm) aluminum or 0.020" (0.5 mm) copper.

⚠ CAUTION To prevent drafts from affecting burner operation, seal all openings in floor under appliance and behind appliance wall.

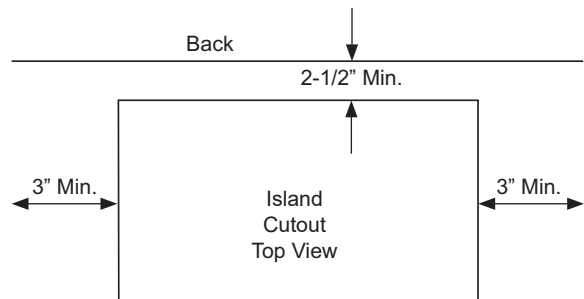


ADDITIONAL CLEARANCES:

Allow 12" minimum clearance to an adjacent wall on each side.

Working areas adjacent to the rangetop should have 18" minimum clearance between countertop and the bottom of the wall cabinet.

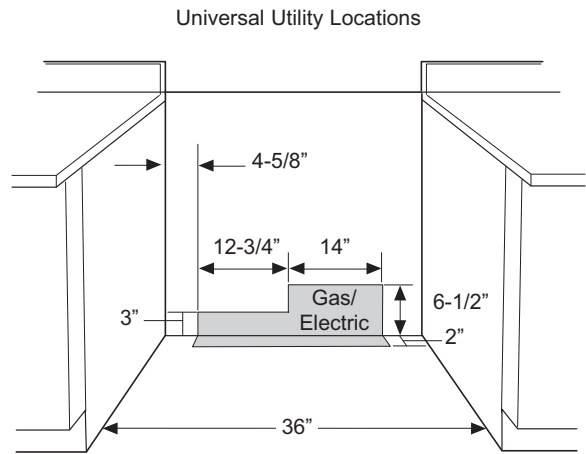
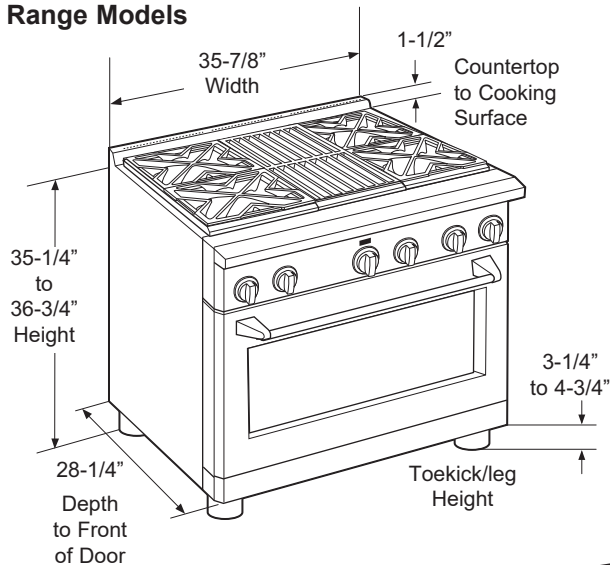
For island installation, maintain 2-1/2 in. minimum from cutout to back edge of countertop and 3 in. minimum from cutout to side edges of countertop (see top view).



Design Information

PRODUCT DIMENSIONS AND CLEARANCES

36" Range Models



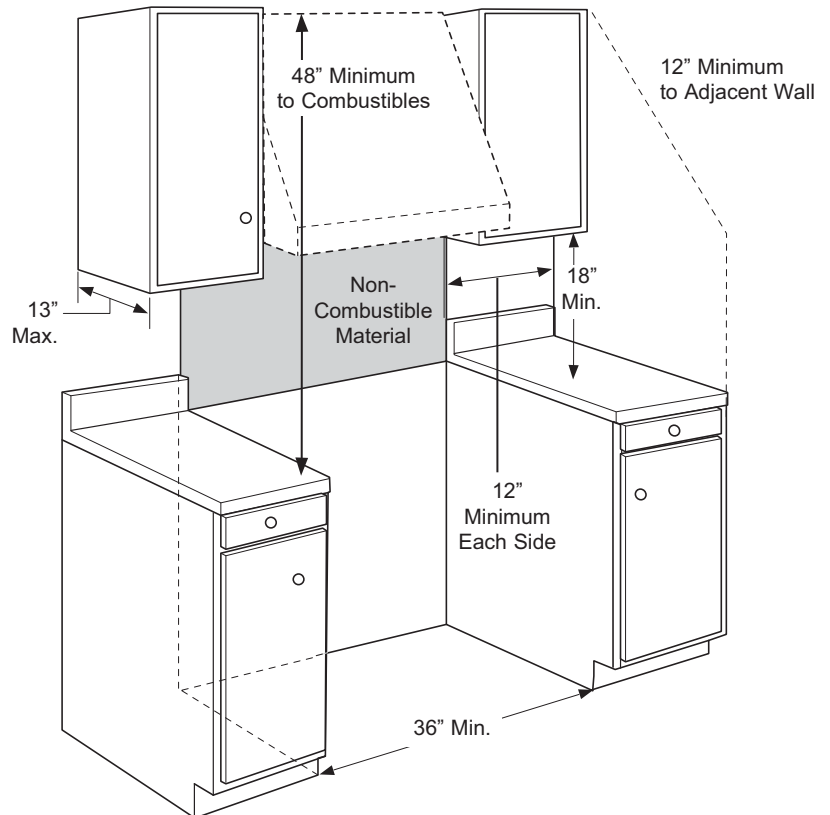
⚠ WARNING

Installations without a hood require 48" minimum to combustibles. A custom hood installation with exposed horizontal combustible surfaces must have an Auto-On feature. Refer to hood installation instructions for specific hood clearances.

The surface of the entire back wall above the range and below the hood must be covered with a non-combustible material. The material should be no less than 0.25" (6.4 mm) thick flame-retardant millboard covered with no less than No. 28 MSG sheet metal 0.015" (0.38 mm) thick, 0.015" (0.38 mm) thick stainless steel, 0.25" (0.64 mm) aluminum or 0.020" (0.5 mm) copper.

⚠ CAUTION

To prevent drafts from affecting burner operation, seal all openings in floor under appliance and behind appliance wall.

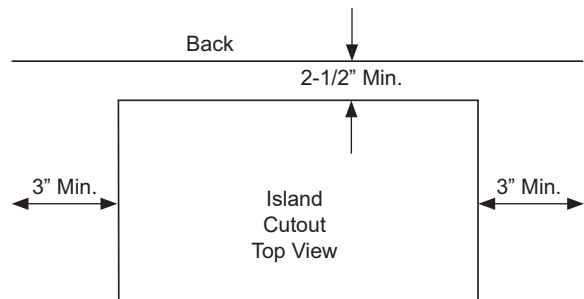


ADDITIONAL CLEARANCES:

Allow 12" minimum clearance to an adjacent wall on each side.

Working areas adjacent to the rangetop should have 18" minimum clearance between countertop and the bottom of the wall cabinet.

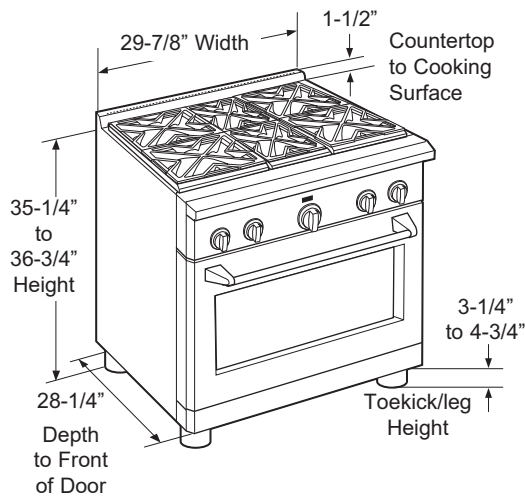
For island installation, maintain 2-1/2 in. minimum from cutout to back edge of countertop and 3 in. minimum from cutout to side edges of countertop (see top view).



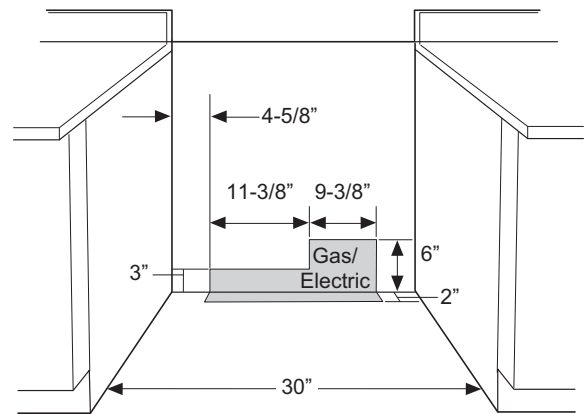
Design Information

PRODUCT DIMENSIONS AND CLEARANCES

30" Wide Range Models



Universal Utility Locations



⚠ WARNING

Installations without a hood require 48" minimum to combustibles. A custom hood installation with exposed horizontal combustible surfaces must have an Auto-On feature. Refer to hood installation instructions for specific hood clearances.

The surface of the entire back wall above the range and below the hood must be covered with a non-combustible material. The material should be no less than 0.25" (6.4 mm) thick flame-retardant millboard covered with no less than No. 28 MSG sheet metal 0.015" (0.38 mm) thick, 0.015" (0.38 mm) thick stainless steel, 0.25" (0.64 mm) aluminum or 0.020" (0.5 mm) copper.

⚠ CAUTION

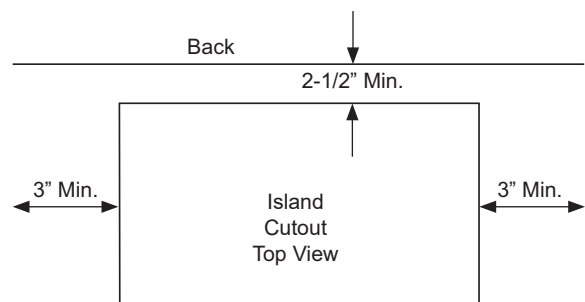
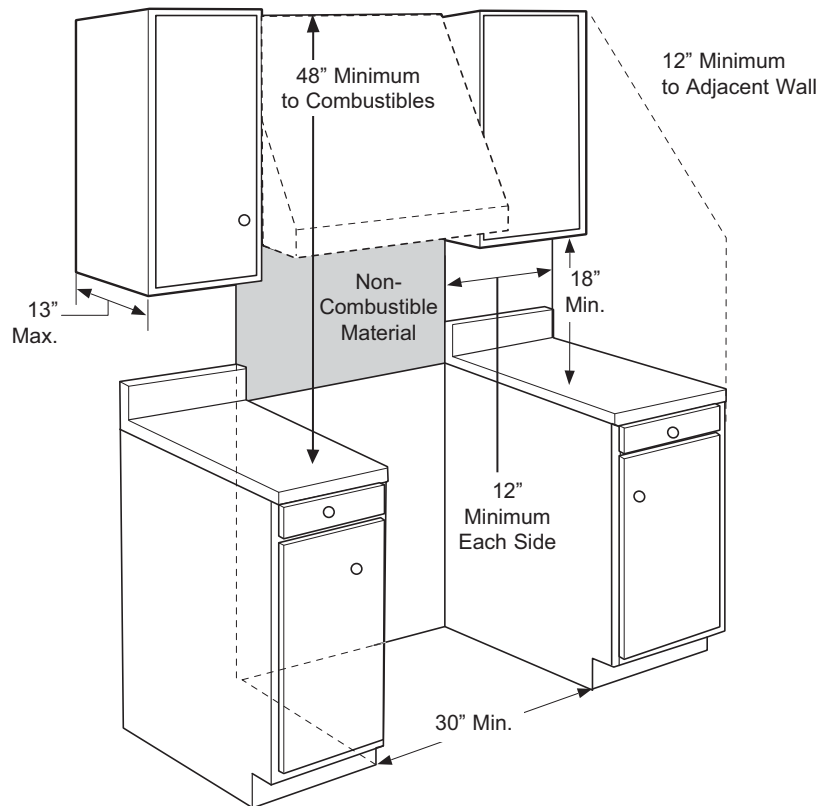
To prevent drafts from affecting burner operation, seal all openings in floor under appliance and behind appliance wall.

ADDITIONAL CLEARANCES:

Allow 12" minimum clearance to an adjacent wall on each side.

Working areas adjacent to the rangetop should have 18" minimum clearance between countertop and the bottom of the wall cabinet.

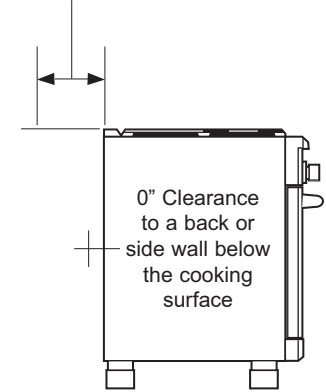
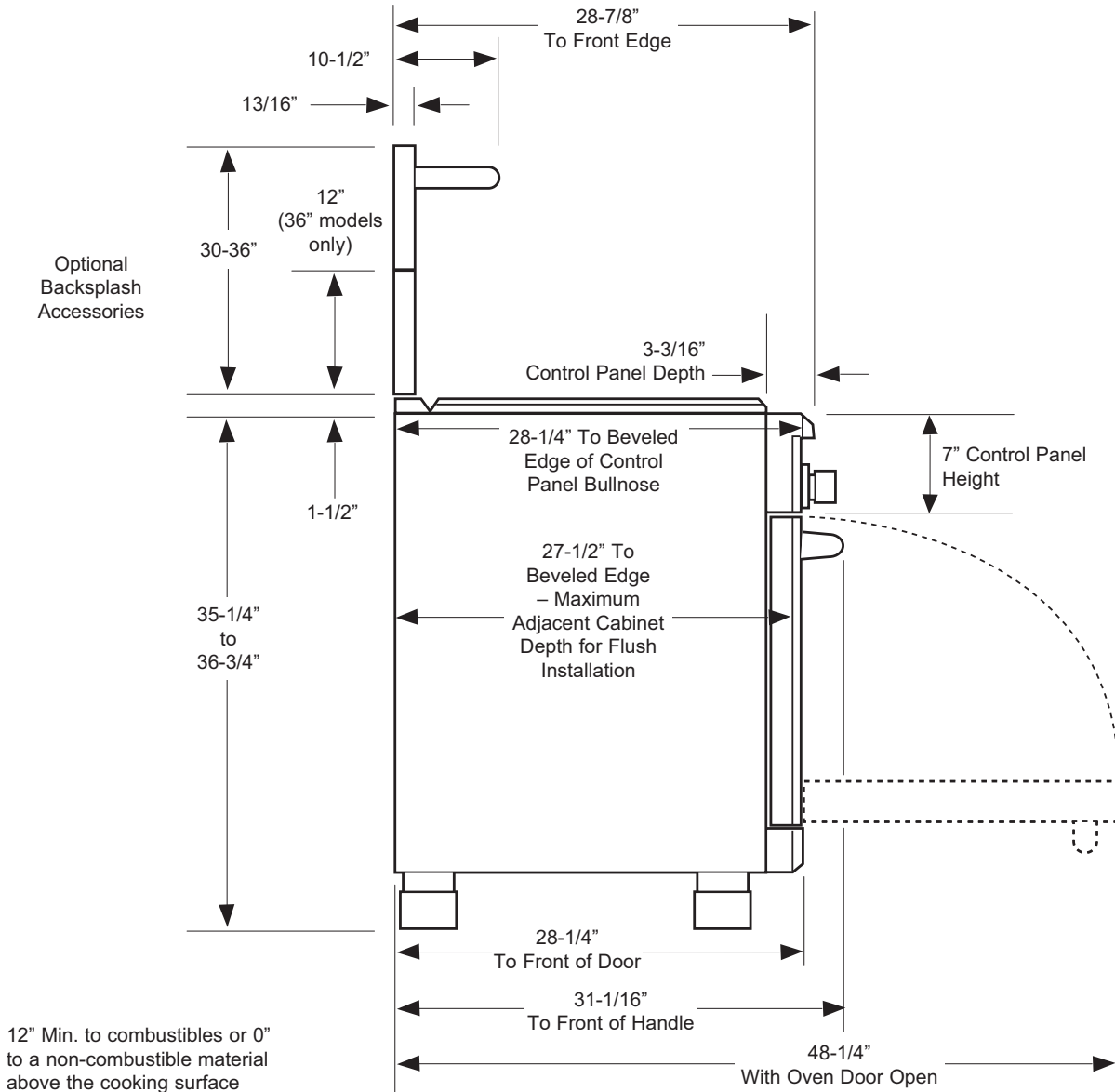
For island installation, maintain 2-1/2 in. minimum from cutout to back edge of countertop and 3 in. minimum from cutout to side edges of countertop (see top view).



Design Information

PRODUCT DIMENSIONS AND CLEARANCES

48", 36" and 30" Range Models



⚠ WARNING The 12" high stainless steel backsplash accessory must be installed in combination with a custom non-combustible backsplash.

The finished backsplash must cover the entire back wall up to the bottom of a hood, or when there is no hood, 48" to combustibles.

(36" models only)

Installation Information

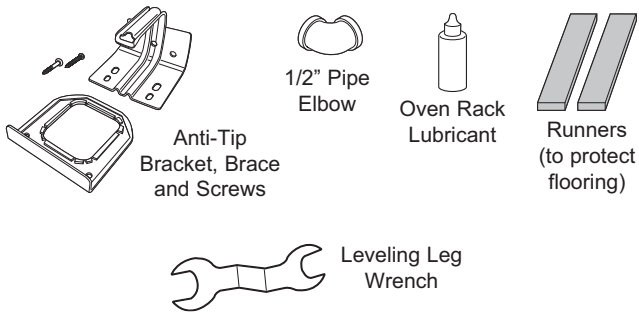
WB28K10553 HIGH ALTITUDE KIT

For operation above 6,000 feet, order WB28K10553 Conversion Kit. This kit includes orifices for both propane (LP) and Natural gas operation.

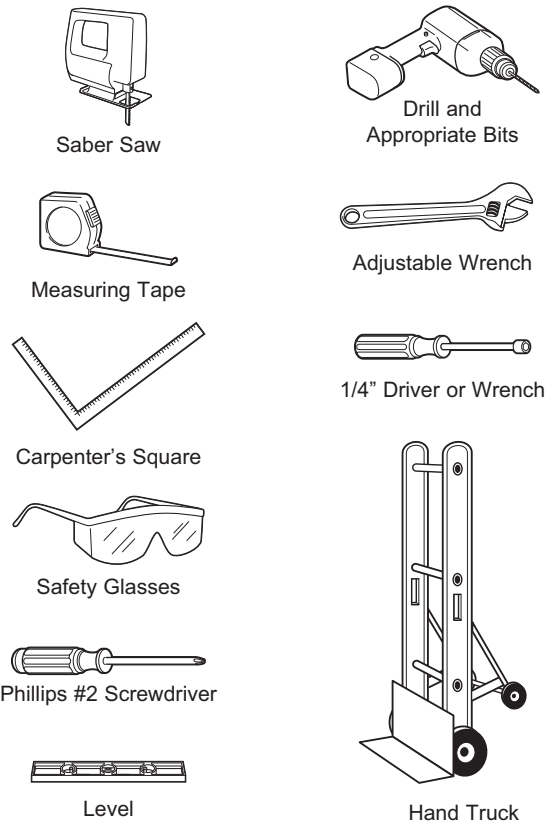
WB28K10554 DE-RATE KIT

(For a small kitchen environment.)
De-rate conversion kit for use with model ZGP304N (natural gas only). This kit includes orifices to reduce surface burner output to 40,800 BTU's.

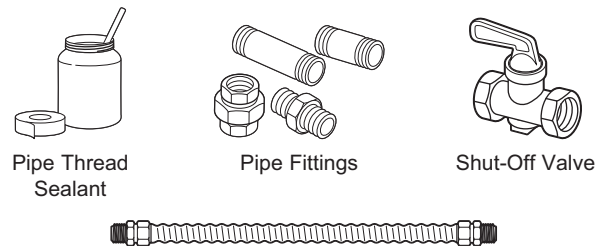
MATERIALS PROVIDED



TOOLS REQUIRED



MATERIALS REQUIRED (not provided)



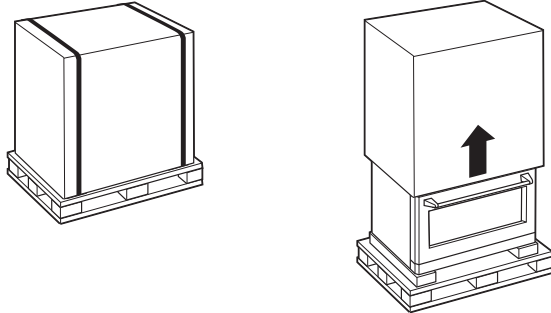
5-foot maximum length, 5/8" O.D. CSA-approved flexible metal gas supply

NOTE: Purchase new flexible line; do not use previously used flexible gas line.

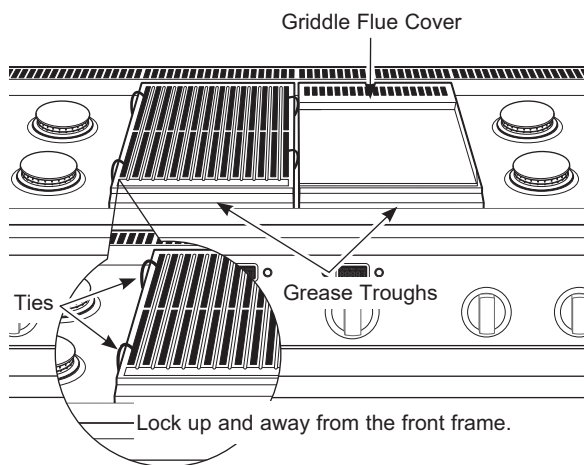
Installation

1 REMOVE PACKAGING

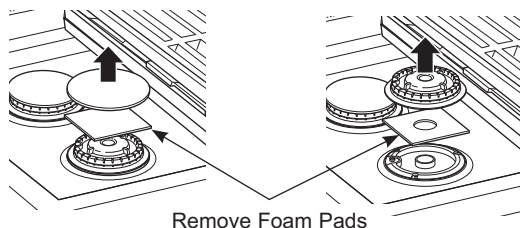
CAUTION Stand clear. The ends of the cut metal banding may snap toward you.



- Cut the metal banding. Lift the carton straight up.
- Locate the two runner strips from the top of the packaging. These strips will be used to protect the kitchen floor during installation.
- Remove corner posts. Dispose of packaging materials.
- Remove grill/griddle covers, grill grate and burner grates.
- Lift out cast-iron griddle flue cover, grease troughs and pads.
- Cut the ties holding the grill grate to the grill frame.

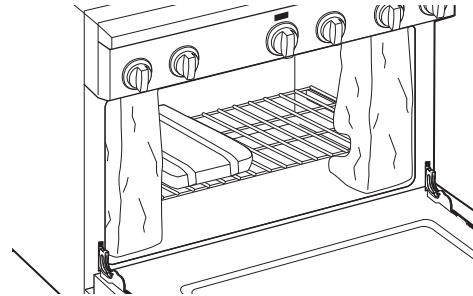


- Lift off burner caps and remove foam pad, then lift off burner heads and remove foam pad.



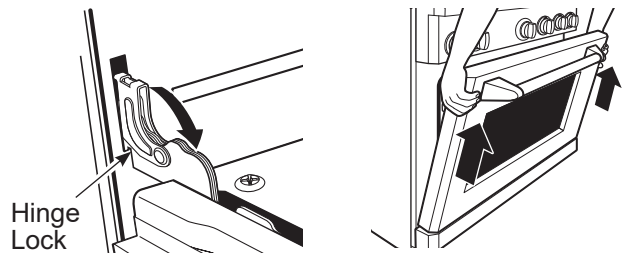
Remove Foam Pads

- Open oven door(s) and remove packaging. Remove shelf holding broiler pan, tape, literature package, shelf lubricant and probe.



CAUTION Doors and passageways leading to the installation location require at least 32" opening. If the opening is less than 32", the oven door(s) and control knobs must be removed.

REMOVE THE OVEN DOOR(S) ONLY IF NECESSARY to move the range through the doorways. To prevent damage to the sides of the range, it will be necessary to pad the corners beneath the straps on the hand-truck.



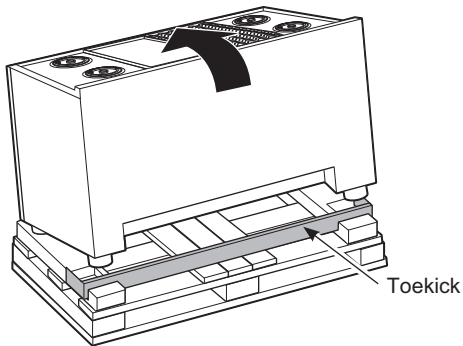
To remove the oven door(s):

- To remove the oven door(s):
- Fully open the door.
- Each hinge has a hinge lock. Pull the hinge.
- Firmly grasp the door at the top sides.
- Close the door to the near-vertical position.
- Lift the door up and pull straight out.

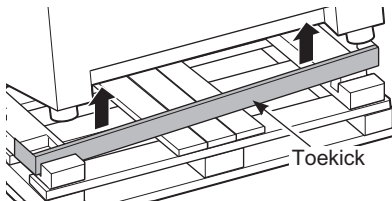
Installation

2 MOVE THE RANGE INDOORS

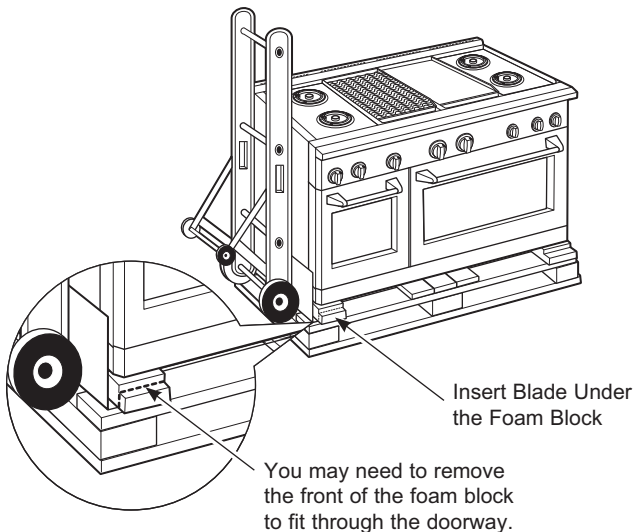
1. Tilt the range forward on the skid.



2. Lift the toekick out of the foam base.



3. Drive the blade of the hand-truck beneath the foam block.

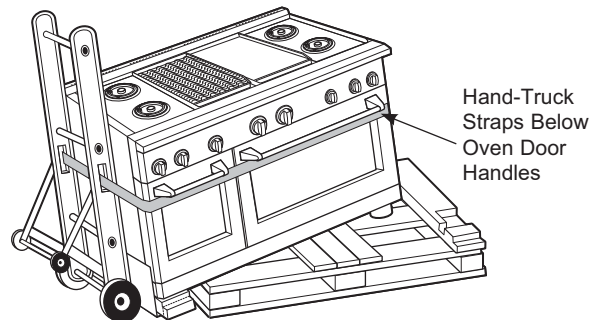


IMPORTANT: Do not remove the base foam block while the hand-truck is in use. Place the hand-truck blade underneath the base foam block and transport the range to the final location.

4. Attach the hand-truck straps around the unit.

IMPORTANT: Place the hand-truck straps below the oven door handles. To avoid damaging the side panels, place a pad between the hand-truck and the range.

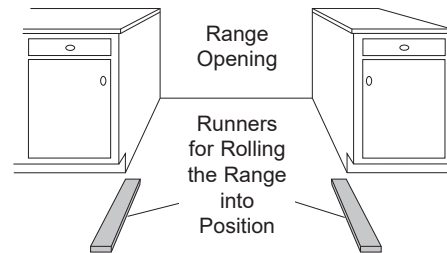
5. Tilt the range to lower the hand-truck wheels off the skid.



6. Place the appliance runners on the floor at the left and right sides in front of the opening.

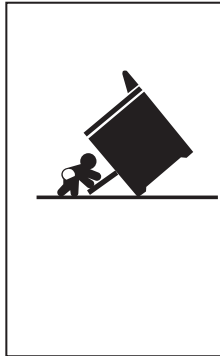
IMPORTANT: The runners provide a surface for rolling the range into the final position and will protect the floor finish. The runners must be removed before leveling the range.

7. Move the range indoors. Position the range in front of the installation location, onto the runners.



Installation

3 INSTALL ANTI-TIP DEVICE



⚠ WARNING

Tip-Over Hazard

- A child or adult can tip the range and be killed.
- Install the anti-tip bracket to the wall or floor.
- Engage the range to the anti-tip bracket by sliding the range back such that the foot is engaged.
- Re-engage the anti-tip bracket if the range is moved.
- Failure to do so can result in death or serious burns to children or adults.

To reduce the risk of tipping the range, the range must be secured by a properly installed anti-tip bracket. See installation instructions shipped with the bracket for complete details before attempting to install.

To check if the bracket is installed and engaged properly, look underneath the range. The anti-tip bracket should be inserted into the opening on the anti-tip brace on the range. If the bracket arm misses the brace to the left or right, or the bracket arm is not protruding through the brace opening, the bracket must be reinstalled.

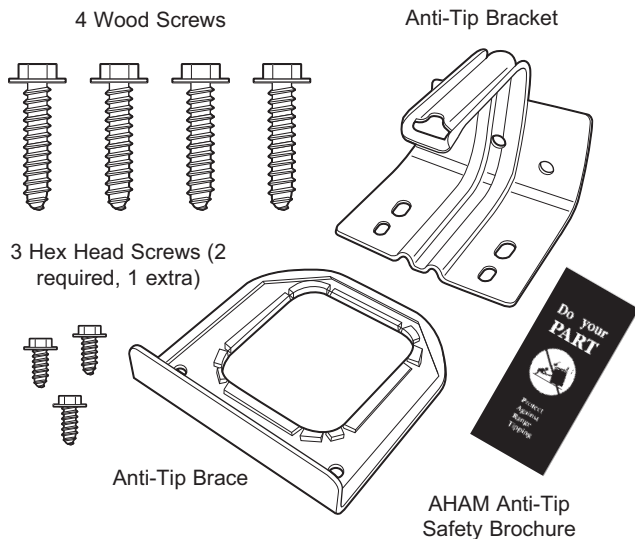
If the range is pulled from the wall for any reason, always repeat this procedure to verify the range is properly secured by the anti-tip bracket.

If your range has no anti-tip bracket, call 1.800.626.8774 to receive one at no cost.

If the anti-tip device supplied with the range does not fit this application, use the universal Anti-Tip Device WB2X7909.

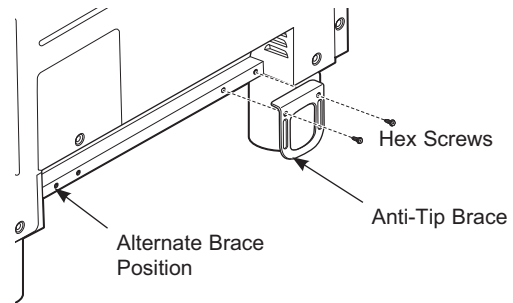
Read the AHAM Anti-Tip Safety Brochure packed with the bracket.

Anti-Tip Parts Provided



- Attach the anti-tip brace onto the bottom of the range in the recessed area. Install 2 hex screws (provided) through the brace and into the range.

NOTE: This anti-tip device may be installed on the opposite side of the range.



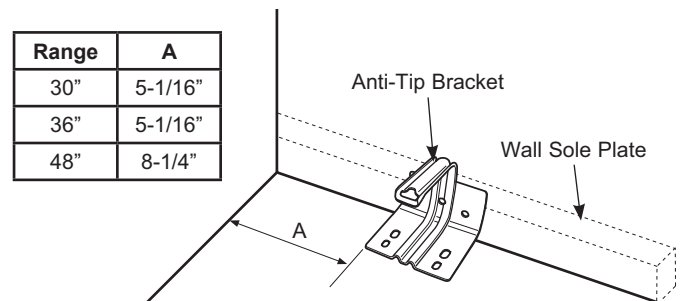
- Measure and mark Dimension A (see table below) from the left (or right) side of the installation location. If the countertop has an overhang, add that dimension to Dimension A.

- Place the anti-tip bracket against the floor and back wall at the marked location. Mark screw holes for fastening the bracket to the wall sole plate and the floor.

- Drill 1/8" pilot holes at a 20° angle.

- Secure the bracket to the wall and/or floor with at least 2 wood screws (provided).

For Concrete or Cement Construction: You must use appropriate fastening hardware (not provided).



Range	A
30"	5-1/16"
36"	5-1/16"
48"	8-1/4"

Installation

4 CONVERSION TO PROPANE (LP) OR NATURAL GAS

The pressure regulator and the burner orifices are set for either natural gas or propane (LP) gas at the factory depending on the model number. To convert to a different gas other than what your pressure regulator was set to, the regulator and burner orifices must be converted, the conversion must be performed by a qualified propane (LP) gas installer.

Keep these instructions and all orifices in case you want to convert back to natural gas.

5 GAS SUPPLY

▲WARNING Fire Hazard: Do not use a flame to check for gas leaks.

▲WARNING Explosion Hazard: Do not exceed 25 ft-lbs of torque when making gas line connections. Overtightening may damage the pressure regulator resulting in fire or explosion hazard.

Gas Pressure Regulator

You must use the gas pressure regulator supplied with this range. For proper operations the inlet pressure to the regulator should be as follows:

Natural Gas:

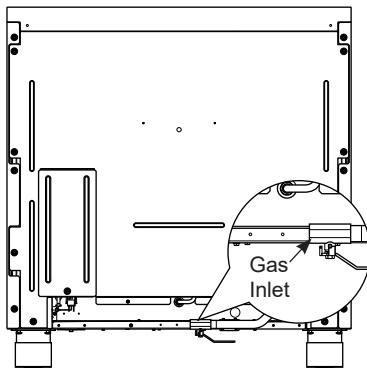
Minimum pressure: 6" of Water Column
Maximum pressure: 13" of Water Column

Propane (LP) Gas:

Minimum pressure: 11" of Water Column
Maximum pressure: 13" of Water Column

If you are not sure about the inlet pressure contact local gas supplier.

NOTE: This range is equipped with a gas shut-off valve located at the rear of the range near the floor. This shut-off valve is to be used in the event that service is required. To access the shut-off valve, remove the toe-kick panel and reach under the range.



5 GAS SUPPLY (cont.)

Shut off the main gas supply valve before disconnecting the old range and leave it off until the new hook-up has been completed. Don't forget to relight the pilot on other gas appliances when you turn the gas back on.

Because hard piping restricts movement of the range, the use of a CSA International-certified flexible metal appliance connector is recommended unless local codes require a hard-piped connection.

If the hard piping method is used, you must carefully align the pipe; the range cannot be moved after the connection is made.

To prevent gas leaks, put pipe thread sealant on, or wrap pipe thread tape with Teflon* around, all male (external) pipe threads.

- A. Install a manual shut-off valve in the gas line in an easily accessed location outside of the range. Make sure everyone operating the range knows where and how to shut off the gas supply to the range.
- B. Install male 1/2" flare union adapter to the 1/2" NPT internal thread at inlet of the shut-off valve on the range. Use a backup wrench on the shut-off valve to avoid damage.
- C. Install male 1/2" or 3/4" flare union adapter to the NPT internal thread of the house shut-off valve, taking care to back-up the shut-off valve to keep it from turning.
- D. Connect flexible metal appliance connector to the adapter on the range. Position range to permit connection at the house shut-off valve.
- E. When all connections have been made, make sure all range controls are in the off position and turn on the main gas supply valve. Use a liquid leak detector at all gas connections to check for leaks in the system.

When using pressures greater than 1/2 psig to pressure test the gas supply system of the residence, disconnect the range and individual shut-off valve from the gas supply piping. When using pressures of 1/2 psig or less to pressure test the gas supply system, simply isolate the range from the gas supply system by closing the individual shut-off valve.

When checking for proper operation of the regulator, the inlet pressure must be at least 1" greater than the operating (manifold) pressure as given on rating label of product.

*Teflon: Registered trademark of DuPont

Installation

6 ELECTRICAL CONNECTIONS

⚠ WARNING Shock Hazard: This appliance must be properly grounded. Failure to do so can result in electric shock.

Electrical Requirements - 120-volt, 60 Hertz, properly grounded dedicated circuit protected by a 15-amp or 20-amp circuit breaker or time delay fuse.

NOTE: Use of automatic, wireless, or wired external switches that shut off power to the appliance are not recommended for this product.

Grounding

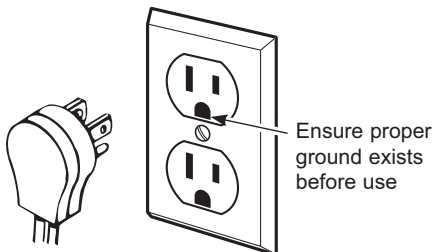
The power cord of this appliance is equipped with a three-prong (grounding) plug which plugs into a standard three-prong grounding wall receptacle to minimize the possibility of electric shock hazard from this appliance.

The customer should have the wall receptacle and circuit checked by a qualified electrician to make sure the receptacle is properly grounded.

Where a standard two-prong wall receptacle is encountered, it is the personal responsibility and obligation of the customer to have it replaced with a properly grounded three-prong wall receptacle.

DO NOT, UNDER ANY CIRCUMSTANCES, CUT OR REMOVE THE THIRD (GROUND) PRONG FROM THE POWER CORD. DO NOT USE AN ADAPTER. DO NOT USE AN EXTENSION CORD.

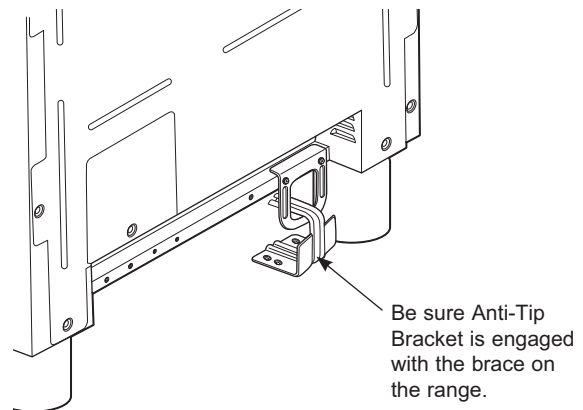
Ground Fault Circuit Interrupters (GFCI's) are not required or recommended for gas range receptacles. Performance of the range will not be affected if operated on a GFCI-protected circuit but occasional nuisance tripping of the GFCI breaker may occur.



7 ROLL RANGE INTO POSITION

⚠ WARNING The Anti-Tip Bracket must be properly installed to prevent tipping of the range. Failure to do so can cause serious damage or injury.

- Check to be sure the appliance runners are beneath the wheels.
- The range is shipped with the wheels in the down position. Carefully roll the range into position, being careful not to entangle or pinch the power cord and flexible gas tubing.
- Remove the runners beneath the range.



Installation

8 LEVEL THE RANGE

⚠ WARNING

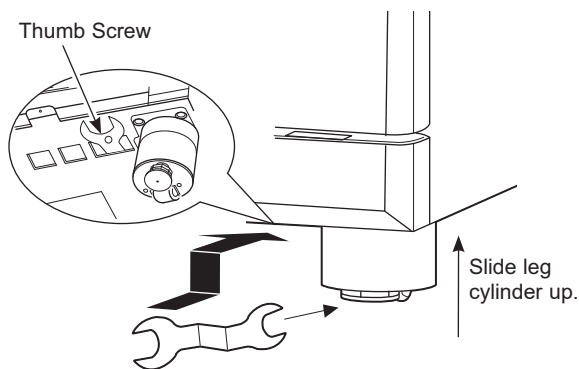
The range must be level and be supported by the legs—not the wheels. The range could move if the wheels make contact with the floor. Be sure all legs make contact with the floor in any installation.

- All legs must be leveled after the product is installed.
- Check to be sure the adjoining cabinets/countertops are level, front to back and left to right across the opening of the range.
- Measure the distance from the floor to the top of the countertop in the left and right rear corners.
- Adjust the height of the range to countertop height or higher.

IMPORTANT: This range should always be installed at countertop height or higher. **DO NOT INSTALL THE RANGE LOWER THAN ADJACENT COUNTERTOP HEIGHT.** The range must be supported by all 4 legs, regardless of countertop height.

FRONT LEG ADJUSTMENT

- A leveling leg wrench is supplied. Reach under the front of the range near the right leg. Locate and remove a thumb screw, then slide wrench out of the slot.
- Slide front cylinders up to access front leveling legs. Be careful not to damage cylinder.

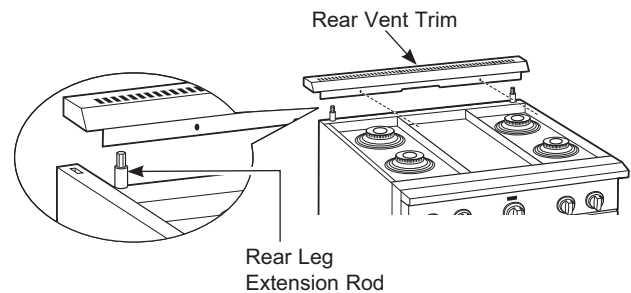


- Use the supplied wrench to adjust the front leveling legs. Turn clockwise to extend the legs to lift and stabilize the range. Turn counterclockwise to retract the legs and allow the range to rest on its rollers.
- Be sure to return the wrench to its storage slot for future use.

8 LEVEL THE RANGE (cont.)

REAR LEG ADJUSTMENT

- Remove two screws from rear vent trim. Slide vent trim forward, then lift up to remove.
- Find the two rear leg extension rods. Use a 1/4" driver or wrench to adjust the left or right rear legs.



- Replace the rear vent trim using the original screws.

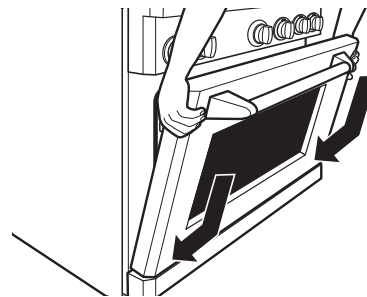
9 REPLACE OVEN DOOR(S)

Skip this step if oven doors are in place.

IMPORTANT: Do not lift the door by the handle.

To replace the oven doors:

- Firmly grasp the door **at the top sides**. **This is critical.**
- Approach the range with the door angled in a vertical position.
- Guide the hinges into the slots.
- Push the door in firmly while opening.
- Once in position, open the door completely. Push the hinge locks back in toward the front frame.



⚠ CAUTION

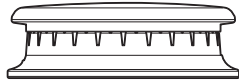
Take care when replacing the oven doors. If the hinge latch is not securely locked, the hinge may snap back and separate. If the hinge separates, you must apply pressure (possibly with your foot) to press it back together and then engage the hinge latch.

Installation

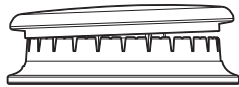
10 CHECK BURNERS

▲WARNING Fire or Explosion Hazard: Do not operate the burner without all burner parts in place.

- A. **Burners** - Place surface burners into corresponding positions on cooktop.
- B. **Caps** - Place caps on proper size burner.
- C. **Grates** - The left and right grates are interchangeable. Place the grates on the cooktop.



Burner Cap Properly Seated



Burner Cap Not Properly Seated

11 CHECK SURFACE BURNERS

Push and turn a knob to the LITE position. A clicking sound indicates proper operation of the ignition system. When lighting any burner, sparks will appear at all burners but gas flows from only the one selected. Once air is purged from the supply line, burner should light within 4 seconds. After burner lights, rotate the knob out of the LITE position. Try each burner in succession until all burners have been checked.

Quality of Flames

Determine the quality of flames visually. Normal burner flames should look like (A) or (B).



(A) Soft blue flames—
Normal for natural gas



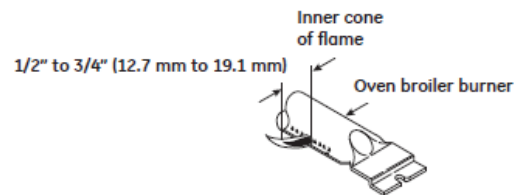
(B) Yellow tips on
outer cones—
Normal for propane (LP) gas

Long, bright yellow flames are not normal. Normal flames may show signs of an orange tint when well heated or signs of flickering orange due to particles in the gas or air.

12 CHECK OPERATION OF OVEN BAKE BURNERS

- A. Remove the oven bottom and diffuser (refer to sections 6A & B of the conversion installation instructions, page 24).
- B. To operate the Bake burner, turn the Oven Mode Selector knob to Bake and turn the Oven Temperature Knob to 350. After 30 to 90 seconds, the burner will ignite.

Flames should be steady, approximately 1" blue cones and, if range is supplied with natural gas, should burn with no yellow tips. With most propane (LP) gas, small yellow tips at the end of the outer gas cones are normal. The inner cone of the flame should be 1/2" to 3/4" long for either gas.



- C. Perform the same check on the companion oven if present.

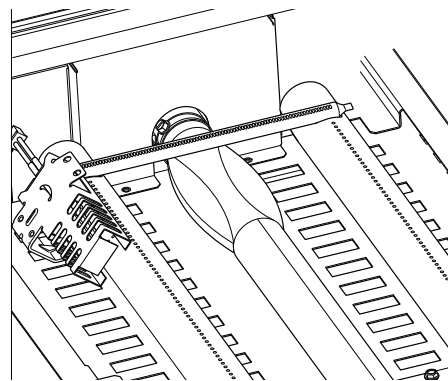
13 ADJUSTING THE BAKE BURNER AT SHUTTER (If necessary)

To adjust the shutter:

- 1. If the flames are yellow, open the air shutter more than the original setting.
- 2. If the flames blow away or flutter from the burner, close the air shutter more than the original setting.

The air shutter for the bake burner is accessible by removing the burner.

- A. Using a screwdriver, loosen the air shutter adjustment screw.



Installation

13 ADJUSTING THE BAKE BURNER AT SHUTTER (cont.)

- B. Make the air shutter adjustment.
- C. Retighten the air shutter screw.
- D. Check that the inner cone of the flame is between 1/2" and 3/4" (12.7 mm and 19.1 mm) long.

After confirming correct burner operation, replace all parts.

14 CHECK OPERATION OF OVEN BROIL BURNER

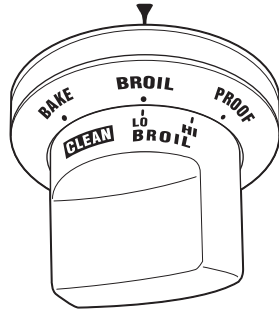
The broil burner must be on and warmed up for 3 min. prior to checking operation.

1. To operate the Broil burner, turn the Oven Mode Selector knob to Broil and turn the Oven Temperature Knob to Broil Hi. After 30 to 90 seconds, the burner will ignite.

There should be an even blanket of flame covering the entire surface of the screen that is blue and barely visible, approximately 1/4" long. After approximately 3 min., the screen area should begin to glow orange.

2. Perform the same check on the companion oven if present.

If the flame is long and lazy, verify the proper orifice is installed and the regulator is converted properly for your gas supply.



WHEN ALL HOOKUPS ARE COMPLETED

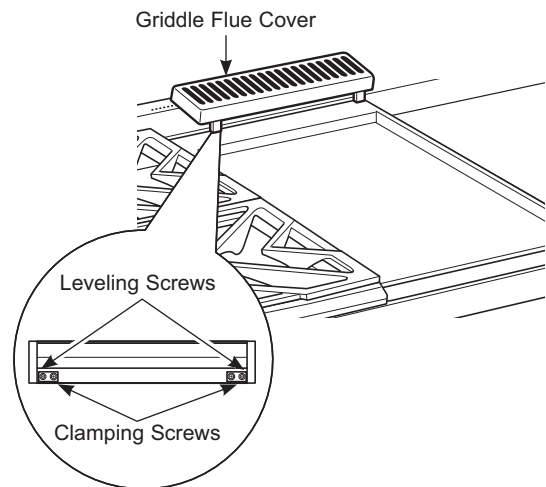
Check that all packing materials and tape have been removed. This will include tape on metal panel under control knobs (if applicable), adhesive tape, wire ties, cardboard and protective plastic. Failure to remove these materials could result in damage to the appliance once the appliance has been turned on and surfaces have heated.

FINALIZE INSTALLATION

Place the burner grates over the burners. The grates should be seated and should not rock.

The griddle is secured with screws. It is designed to be stationary and should not be removed.

The griddle has two leveling screws beneath the rear flue cover that can be used to adjust to the desired slope.



The two inner screws are clamping screws for securing the griddle in place. Loosen these two screws before leveling. Do not remove these two screws.

The two outer screws are leveling screws. Do not remove these two screws. They can be turned to level the griddle or to provide a forward slope to help grease and oils drain away from the food being cooked.

After leveling the griddle, hand-tighten the clamping screws; do not over-tighten.

INSTALLATION CHECKLIST

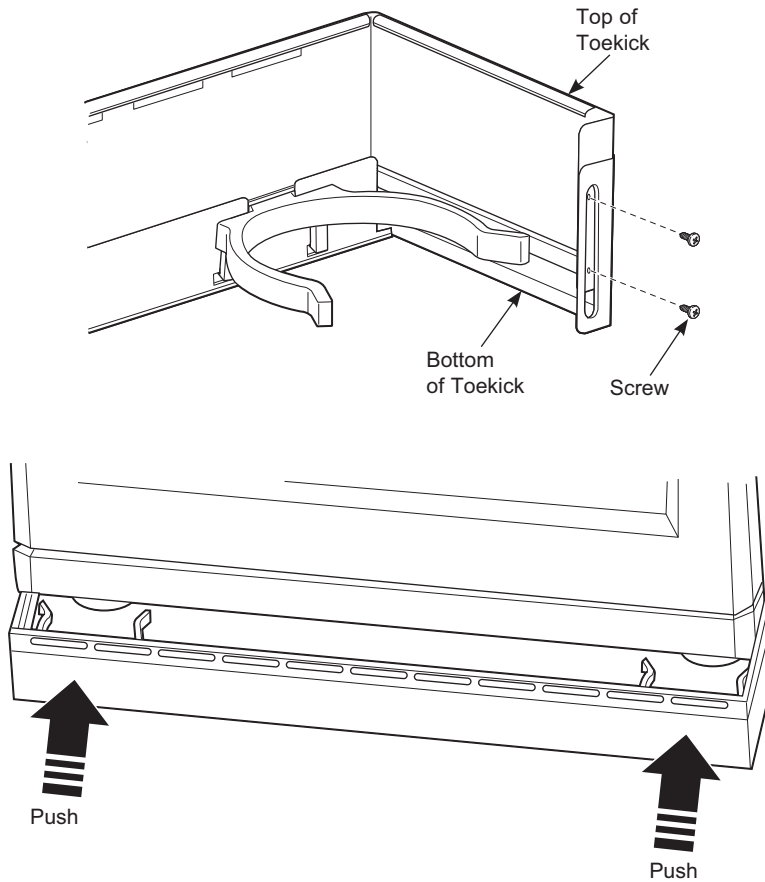
- Make sure all controls are left in the OFF position.
- Make sure the flow of combustion and ventilation air to the range is unobstructed.
- **Recheck Steps:**
Double check to make sure everything in this manual has been completed. Rechecking steps will ensure safe use of the range.

NOTE: The rating plate is located on the bottom of the control panel and is visible from below when the oven door is open. The model and serial number may also be found behind the left knob and is visible when the knob is pulled off.

Installation

ACCESSORIES—TOEKICK (on some models)

- Install the toekick after the range has been leveled.
 - Measure the distance between the floor and the bottom of range.
 - Loosen the two screws on each end. Adjust the toekick height by sliding the upper and lower pieces apart to 1/8" less than the measured height.
 - Secure the top and bottom sections by tightening the 2 screws on each end.
 - Push toekick against range leg until clip snaps to legs.
- NOTE:** Be sure the toekick snaps securely to the leg.



UX12B36PSS Accessory Installation

OPTIONAL ACCESSORIES—12" HIGH BACKSPLASH

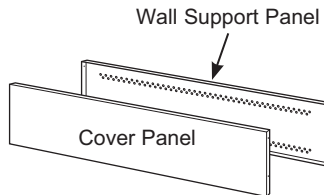
This kit provides for the installation of a 12" high backsplash for 36" Professional Ranges and Rangetops.

TOOLS AND MATERIALS REQUIRED

- Gloves to protect against sharp edges
- T-15 and #2 Phillips screwdrivers
- Drill with 3/32" and 9/64" bits
- Safety glasses
- Level
- Pencil

This Kit Includes

- Wall support panel
- Cover panel
- Hardware package with
 - 5 Stainless Steel Torx 15 #8 self-tapping screws
 - 5 Phillips #2 pan head wood #10 screws

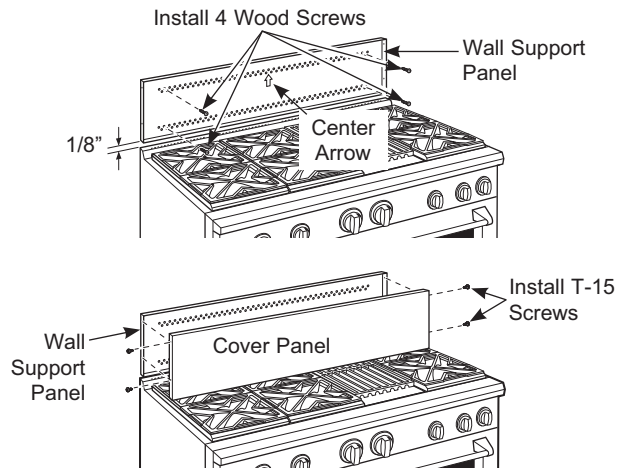


Hardware Package

INSTALL 12" BACKSPLASH

⚠ WARNING This backsplash must be securely fastened to the wall. Failure to do so could result in damage or personal injury.

- Install and level the range or rangetop and the range hood according to the installation instructions.
- Remove the backsplash packaging and protective film.
- Use a level to pencil a horizontal line on the wall, 1/8" above the range or rangetop. The 1/8" gap allows the cover panel to overlap the wall support panel.
- Locate wall studs on each side. Where studs are not available, plan to use wall anchors (not provided).
- Align the wall support panel on the marked horizontal line and centered left to right.
- The wall support panel must be secured to the wall at all 4 corners. Use wood screws (provided) or wall anchors (not provided) to secure the support panel to the wall.
- Place the cover panel over the wall support panel and secure with Torx screws (provided). Install 2 screws on each side.



UXADJB36PSS, UXADJB48PSS Accessory Installation

ACCESSORIES—30" TO 36" ADJUSTABLE BACKSPLASH (not included)

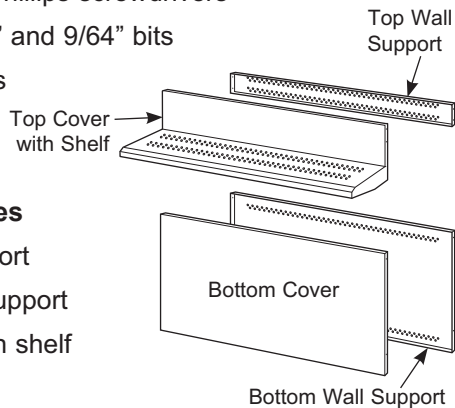
- This backsplash adjusts to fit the space between the top of the range and the bottom of the hood, from 30" Min. to 36" Max. height.
- Maximum shelf load-bearing weight is 40 lbs.

TOOLS AND MATERIALS REQUIRED

- Gloves to protect against sharp edges
- T-15 and #2 Phillips screwdrivers
- Drill with 3/32" and 9/64" bits
- Safety glasses
- Level
- Pencil

This Kit Includes

- Top wall support
- Bottom wall support
- Top cover with shelf
- Bottom cover
- Hardware package with
 - 9 Stainless Steel Torx 15 #8 self-tapping screws
 - 9 Phillips #2 pan head wood #10 screws
 - 3 Stainless Steel #2 truss head #10 screws (for alternate installation method)



Hardware Package

INSTALL THE WALL SUPPORT PANELS

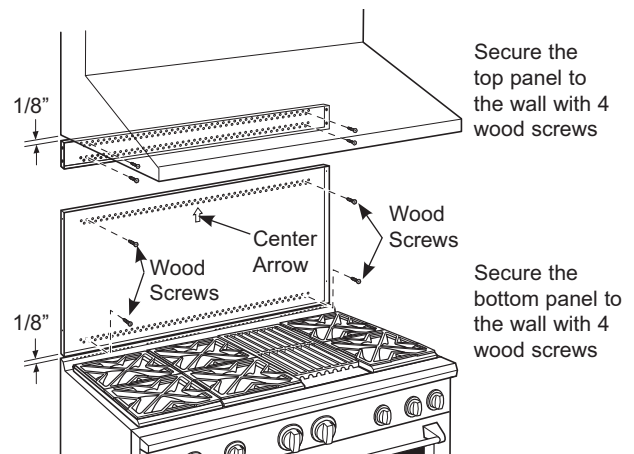
⚠ WARNING

The wall support panels must be securely fastened to the wall. Failure to do so could result in damage or personal injury.

IMPORTANT: This backsplash is designed to cover the wall between the bottom of the hood and the top of the range. The vent hood should be installed over the rangetop or range before installing this backsplash.

- Install and level the Range/Rangetop according to the product installation instructions.
- Remove backsplash packaging and protective film.
- Locate wall studs on each side. Where studs are not available, plan to use wall anchors (not provided).
- Use a level to pencil 2 horizontal lines on the wall, one 1/8" below the vent hood and the other 1/8" above the Range/Rangetop. This 1/8" space allows the cover panels to overlap the wall supports.
- Secure the top wall support panel to the wall with 4 wood screws, through the outermost studs.
- Use 4 wood screws to secure the bottom wall support panel. The center slot should be positioned at the top.

The gap between the top and bottom support panels will be covered by the top cover with shelf.

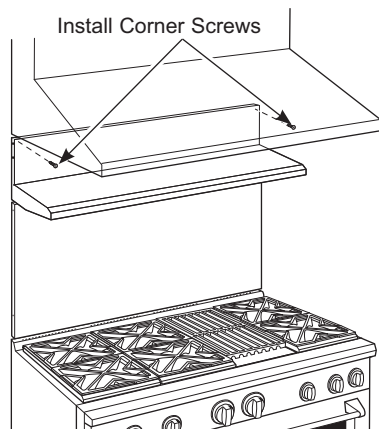
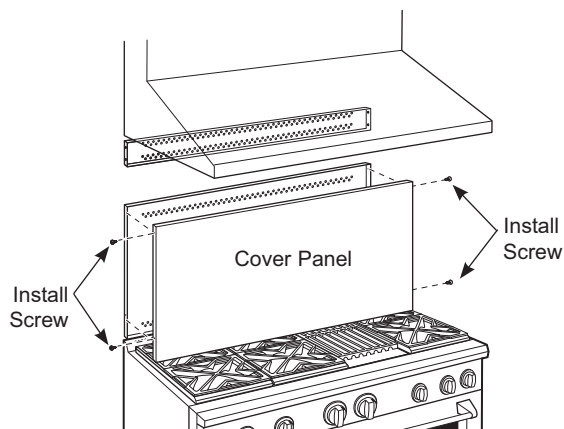


UXADJB36PSS, UXADJB48PSS Accessory Installation

INSTALL COVER PANELS

See alternate method if side access is blocked.

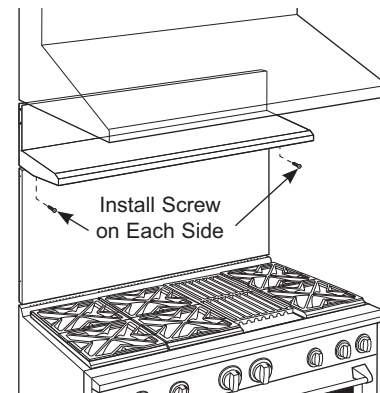
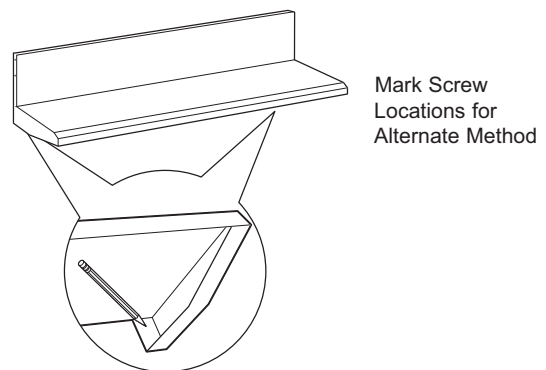
- Hold the bottom cover over the bottom support while driving one screw (provided) into each side.
- Place the top cover with shelf over the top wall support. If you have access to the sides, secure the panel with two screws on each side.
- Secure the top cover with shelf to the top support with screws through the front of the panel, at the top corners. Use one screw on each side.



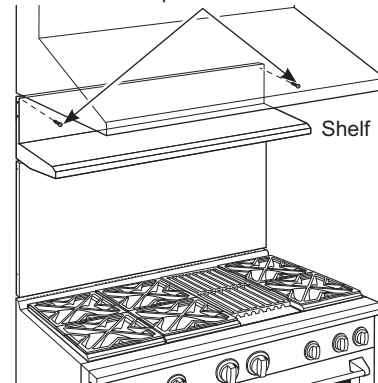
INSTALL COVER PANELS (cont.)

ALTERNATE METHOD: When side access is blocked

- Install bottom cover over the bottom support while driving one screw into each side.
- Hold top cover in place while marking screw locations, just below shelf support and onto bottom cover.
- Remove the shelf and drill a 9/64" diameter hole in the pencil-marked locations.
- Mount the top cover over the top support and secure the front cover with screws through the drilled holes on each side.
- Install screws through each top corner.



Install Screw in Top Corner on Each Side



Installation Instructions

Conversion to Propane (LP) or Natural Gas

⚠ WARNING Explosion Hazard

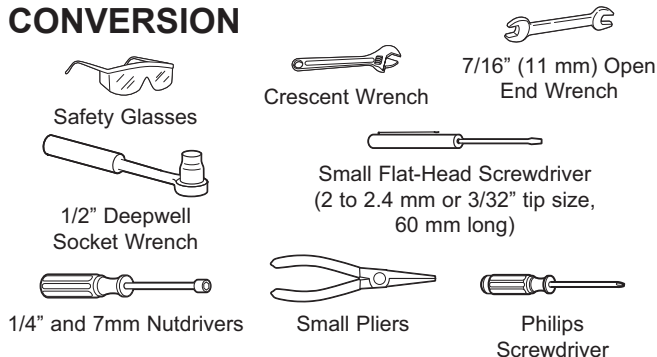
Death or serious injury can result from failure to follow these instructions.

- Service by a qualified service technician only.
- Shut off gas supply and disconnect power before servicing.
- Reconnect all grounding devices after service.
- Replace all parts and panels before operating.

The pressure regulator and the burner orifices are set for either natural gas or propane (LP) gas, depending on the model number. To convert to a different gas other than what your pressure regulator was set to (natural or propane (LP) gas), the regulator and burner orifices must be converted.

⚠ WARNING Do not operate the cooktop or oven burners of this range before converting the pressure regulator and burner orifices for the gas to be used. Failure to do so could cause high flames and toxic fumes which can result in serious injury.

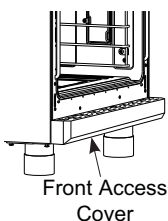
TOOLS YOU WILL NEED FOR CONVERSION



1 ORIFICE HOLDER

The range orifice holder is located behind the front access panel at the bottom of the range. Remove the door(s) (See instructions on page 10) and the screws on the top and bottom of the front access panel. Remove the front access panel to access the orifice holder.

Additional orifices may be present. Use only the orifices specified in the instructions for your range or rangetop.

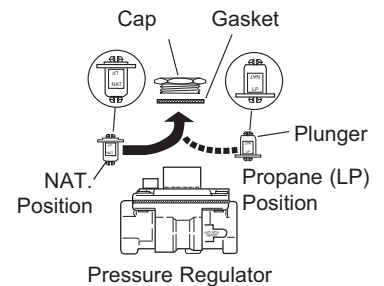


2 CONVERT THE REGULATOR(S)

Disconnect all electrical power at the main circuit breaker or fuse box.

- Shut off the gas supply by closing the manual shut-off valve on the unit or by the wall.
- Move the range out in order to access the rear of the unit.
- Remove the range back to access the regulator(s) - (1) on 30" & 36" ranges and (2) on 48" ranges.
- Convert the pressure regulator(s):

- Unscrew the cap with plunger.
- Place your thumb against flat side of the plunger and press down to snap the plunger out of the cap.
- Carefully look at the plunger to locate the NAT or propane (LP) position.
- Turn the plunger over so that the desired gas is showing near the bottom.
- Snap the plunger back into the cap.
- Screw the cap back onto the regulator.



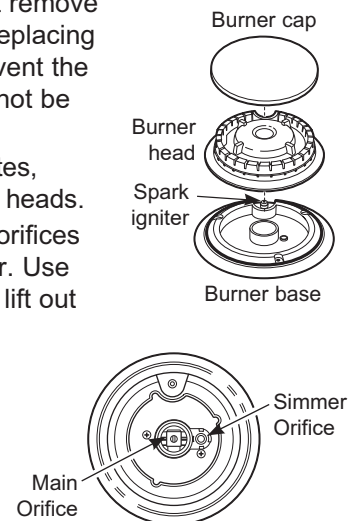
- Reverse these steps to reassemble the pressure regulator.

3 CHANGE BURNER ORIFICES

INSTALLATION TIP: First remove all orifices and then start replacing them. This will help to prevent the possibility that some may not be replaced.

- Remove the burner grates, burner caps and burner heads.
- Loosen the top burner orifices using a 7 mm nut driver. Use small pliers to carefully lift out the orifices.

The main orifice is located low in the center of the burner, while the simmer orifice is located higher beside the center of the burner.

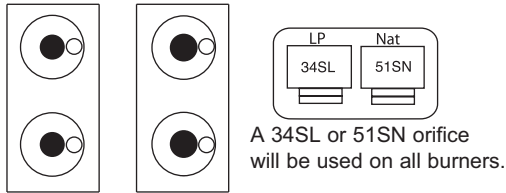


Installation Instructions for Gas Conversion

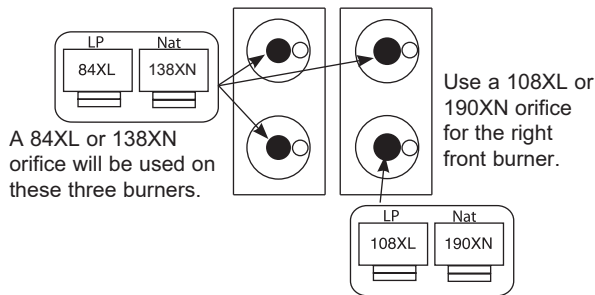
3 CHANGE BURNER ORIFICES (cont.)

IMPORTANT: Find your model number below. Read each orifice label to identify and install them in the exact locations shown.

30" Models - SIMMER ORIFICES

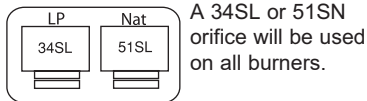


30" Models - MAIN ORIFICES



36" and 48" Models

SIMMER ORIFICES



MAIN ORIFICES



- Return the unused orifices to the holder. Reattach the holder and the instruction sheet with screw in the original storage location.
- Replace the burner heads, caps and top grates. On range models, replace rear vent trim.

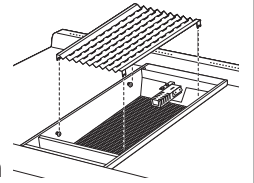
4 CHANGE GRILL ORIFICE (if present)

Locate the 1-1/2" long Grill orifice. Select the proper orifice size for your gas and burner from the conversion chart.

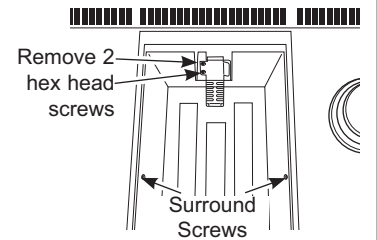


4 CHANGE GRILL ORIFICE (cont.)

- Remove the grill cover, grates and grate frame. Lift the radiant baffle straight up and off.
- Remove the 2 hex head screws from the top of the igniter.

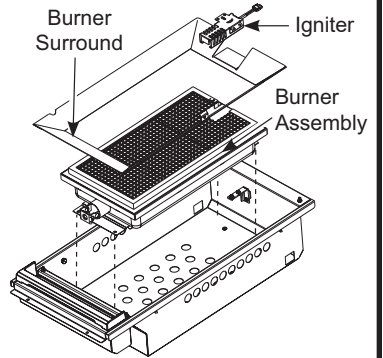


- Remove one screw from each side of the burner surround.
- Lift out the burner surround.



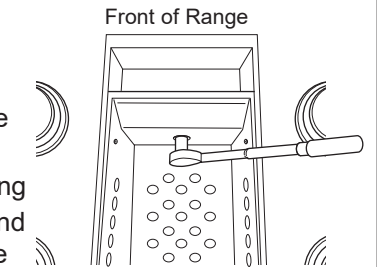
- Carefully push the igniter aside and under the burner. Do not pull or pinch the wire.

- Remove 4 burner attachment screws, 2 at the front and 2 at the back. Slide the burner assembly toward the back and out of the gas inlet.



- Use a 1/2" deep well socket to remove and replace the orifice.

- Reverse these steps to re-assemble the grill. Be sure to place the unused orifice in the holder for possible future use.

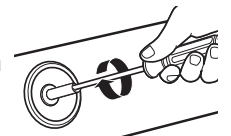


- Adjust Grill "LO" Setting

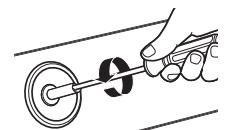
- Make certain gas and electricity to unit are turned off.
- Turn the grill knob to LO and remove the knob by pulling straight off.

- Insert a small flat-blade screwdriver into the hole in the center of the valve stem to engage set screw.

- To convert the LO setting from natural gas to propane (LP), turn the screw clockwise until it stops (about 3/4 turn). It may be necessary to grasp the exterior of the valve stem with a pair of pliers to prevent the valve stem from rotating as the set screw is adjusted.



- To convert the LO setting from the propane (LP) to natural gas setting, turn the screw counterclockwise about 3/4 turn.



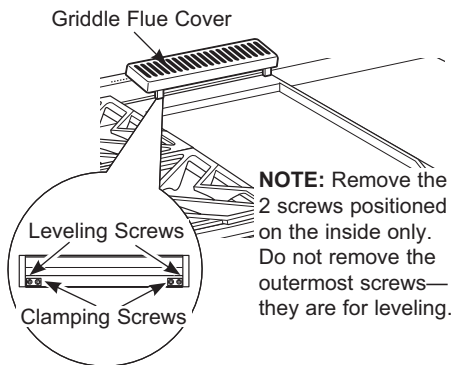
Installation Instructions for Gas Conversion

5 CHANGE GRIDDLE ORIFICE (if present)

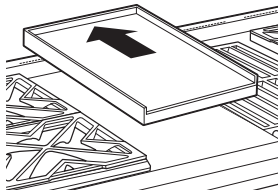
Locate the 3/4" long griddle orifice. Select the proper orifice size for your gas and burner from the conversion chart.



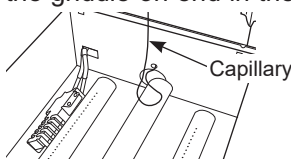
- A. Lift off the griddle flue cover. Remove the 2 inside clamping screws.



- B. Lift out the cast-iron grease trough. Slide the griddle toward the rear and out of the hold-down tabs along the bottom.



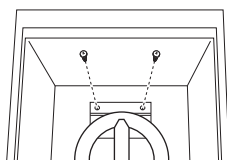
- C. Carefully lift and hold the griddle while pulling additional length of the capillary from the entry hole. Stand the griddle on end in the grease sump.



- D. Remove the 2 hold-down screws at the rear of the burner.

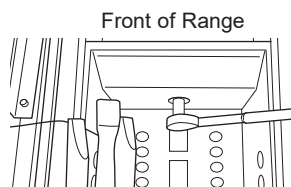
Pull the burner straight back toward the rear and out of the gas inlet.

Back of Range



- E. Use a 1/2" deepwell socket to remove and replace the orifice.

Reverse these steps to reassemble the griddle. Push excess capillary back into the entry hole. Place the unused orifice in the holder for possible future use.

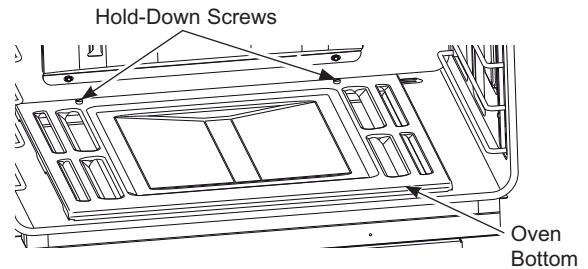


Front of Range

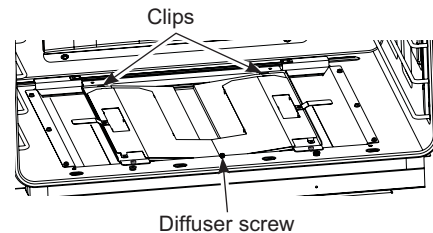
6A CHANGE MAIN BAKE BURNER ORIFICE

Locate the 3/4" long bake burner orifice. Select the proper orifice size for your gas and burner from the conversion chart.

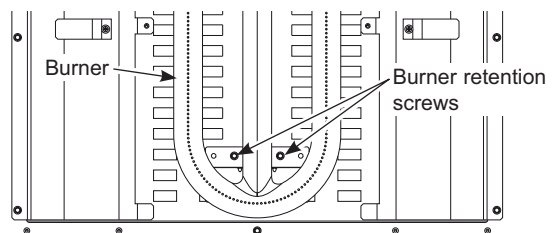
- A. Remove the oven door and set aside in a safe location.
B. Remove the 2 oven bottom hold-down screws from the rear of the cover.



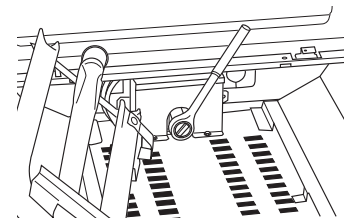
- C. Slide the oven bottom forward and set aside.
D. Remove the burner diffuser screw.



- E. Lift the front of the burner diffuser up slightly and slide it forward to disengage the clips at the rear. Set the burner diffuser aside.



- F. Remove the 2 burner retention screws.
G. Lift the front of the burner up slightly and slide forward setting aside (careful not to damage the igniter.)
H. Use a 1/2" deepwell socket to remove and replace the orifice.
I. Reverse these steps to reassemble the oven burner and oven parts. Place the unused orifice in the holder for possible future use.



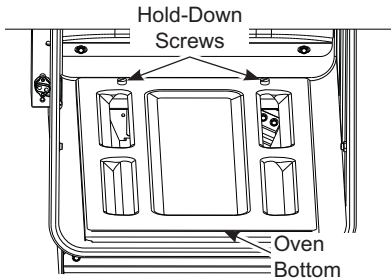
Installation Instructions for Gas Conversion

6B CHANGE COMPANION BAKE BURNER ORIFICE (if present)

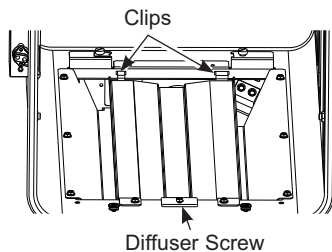
Locate the 3/4" long bake burner orifice.

Select the proper orifice size for your gas and burner from the conversion chart.

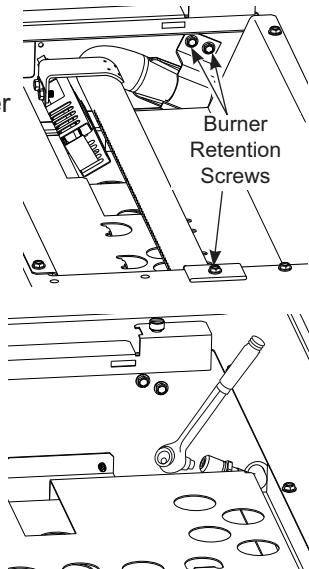
- A. Remove the oven door and set aside in a safe location.
- B. Remove the 2 oven bottom hold-down screws from the rear of the cover.



- C. Slide the oven bottom forward and set aside.



- D. Remove the burner diffuser screw.
- E. Lift the front of the burner diffuser up slightly and slide it forward to disengage the clips at the rear. Set the burner diffuser aside.
- F. Remove the 3 burner retention screws (1 in front and 2 at the rear)
- G. Lift the front of the burner up slightly and slide leftward to remove.
- H. Use a 1/2" deepwell socket to remove and replace the orifice.
- I. Reverse these steps to reassemble the oven burner and oven parts. Place the unused orifice in the holder for possible future use.



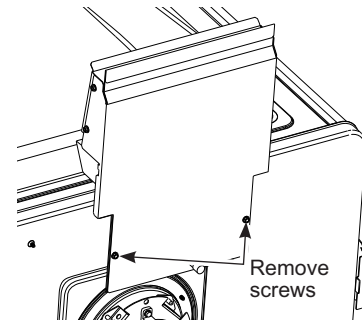
7 CHANGE MAIN/COMPANION BROIL BURNER ORIFICE

Locate the broil burner orifice.

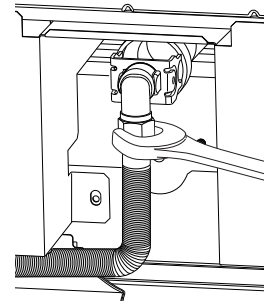
Select the proper orifice size for your gas and burner from the conversion chart.

The rear cover should still be removed from converting the regulator(s). Refer to section 2 for details if it is not.

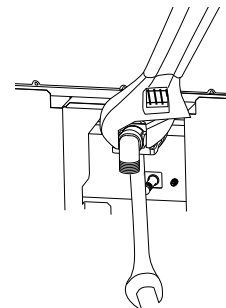
- A. Remove the 2 broil duct cover retention screw. Lift up and slide out to remove.



- B. Loosen and remove the broil supply tube nut from the broil orifice holder.



- C. Using an adjustable wrench and a 7/16" (11 mm) box end wrench to loosen and remove and replace the broil orifice.

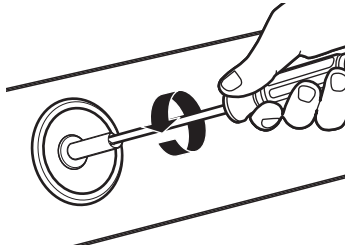


- D. Reverse these steps to reassemble the broil burner. Place the unused orifice in the holder for possible future use.

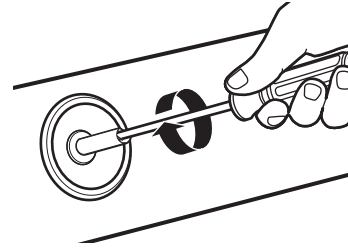
Installation Instructions for Gas Conversion

8 ADJUST TOP BURNER VALVES

- A. Turn on the gas. Plug in electrical cord.
- B. Adjust the setting of the upper row of flames of each burner for propane (LP) as follows. Remove the knob by pulling straight off. Insert a small flat-blade screwdriver into the hole in the center of a valve stem to engage screw.



If converting to propane (LP), turn screw clockwise until it stops (about 3/4 of a turn). Repeat for each valve.



If converting to natural gas, adjust valves by turning screw counter clockwise about 1/2 turn. Repeat for each valve.

- C. Replace knobs. Turn all burners on highest setting and check the flames. They should be blue in color. When using propane (LP) gas, the flames may have some yellow tipping at the ends of the flame. Foreign particles in the gas line may cause an orange flame at first, but this will soon disappear.
- D. Turn the burner knob to "LO" while observing the flame. Flames should burn steadily without flickering.

BURNER OUTPUT RATINGS: BTU/HR

NG (Natural) Gas, 5" W.C.P.					
MODEL	BURNER	BTU RATE	ORIFICE SIZE	ID	
48" 36"	ALL SURF. BURNERS	Main	16,800	0.075" (1.90mm)	190XN
		Simmer	1,200	0.002" (0.51mm)	51SL
30"	RF BURNER	Main	16,800	0.075" (1.90mm)	190XN
		Simmer	1,200	0.002" (0.51mm)	51SN
30"	RR, LR, LF	Main	8,800	0.050" (1.26mm)	126HXN
		Simmer	1,200	0.002" (0.51mm)	51SN
ALL	GRILL	15,000	0.0689" (1.75mm)	0.069	
ALL	GRIDDLE	18,000	0.076" (1.93mm)	0.076	
48" 36"	BAKE MAIN	24,500	0.0886" (2.25mm)	0.089	
30"	BAKE MAIN	23,500	0.0866" (2.20mm)	0.087	
48"	BAKE COMPANION	10,500	0.0531" (1.35mm)	0.053	
ALL	BROIL MAIN	12,500	0.063" (1.60mm)	160	
48"	BROIL COMPANION	9,000	0.052" (1.32mm)	132	

Propane (LP) Gas, 10" W.C.P.					
MODEL	BURNER	BTU RATE	ORIFICE SIZE	ID	
48" 36"	ALL SURF. BURNERS	Main	13,800	0.043" (1.08mm)	108XL
		Simmer	1,200	0.013" (0.34mm)	34SL
30"	RF BURNER	Main	13,800	0.043" (1.08mm)	108XL
		Simmer	1,200	0.013" (0.34mm)	34SL
30"	RR, LR, LF	Main	7,900	0.033" (0.84mm)	84XL
		Simmer	1,200	0.013" (0.34mm)	34SL
ALL	GRILL	14,000	0.047" (1.19mm)	0.047	
ALL	GRIDDLE	16,000	0.047" (1.19mm)	0.047	
48" 36"	BAKE MAIN	23,000	0.0571" (1.35mm)	0.055	
30"	BAKE MAIN	21,500	0.0531" (1.35mm)	0.053	
48"	BAKE COMPANION	10,000	0.0374" (0.95mm)	0.037	
ALL	BROIL MAIN	11,500	0.041" (1.04mm)	104	
48"	BROIL COMPANION	9,000	0.0360" (0.91mm)	91	

Once the conversion is complete and checked, fill out the conversion label and affix the label near the rating label. For ranges, place the label beneath the control panel. For rangetops, place the label on the bottom of the unit.

Notes

NOTE: While performing installations described in this book, safety glasses or goggles should be worn.

NOTE: Product improvement is a continuing endeavor at GE Appliances. Therefore, materials, appearance and specifications are subject to change without notice.

INSTRUCTIONS D'INSTALLATION

**Pour toutes les cuisinières
professionnelles au gaz de 30" (76 cm),
36" (91 cm) et de 48" (121 cm)**

Consignes de Sécurité

Des questions? Composez le 1.800.GE.CARES (1.800.432.2737) ou visitez le www.GEAppliances.com.
Au Canada, composez le 1.800.561.3344 ou visitez le www.GEAppliances.ca.

DANS LE COMMONWEALTH DU MASSACHUSETTS

- Ce produit doit être installé par un plombier ou un monteur d'installations au gaz agréés.
- Si l'on utilise des robinets de sectionnement du gaz à rotule, ils doivent comporter une poignée en « T ».
- Un raccord de gaz flexible, le cas échéant, ne doit pas excéder 1,5 m (5 pi).

⚠ AVERTISSEMENT RISQUE D'INCENDIE OU D'EXPLOSION

Si les instructions contenues dans ce manuel ne sont pas observées rigoureusement, un incendie ou une explosion peuvent en résulter et causer des dommages à la propriété, des blessures corporelles ou la mort.

L'installation doit être effectuée par un installateur qualifié.

Lisez ces instructions au complet et attentivement.

L'installation de cette cuisinière doit se conformer aux codes locaux, ou en l'absence de codes locaux, conformément au National Fuel Gas Code, ANSI Z223.1/NFPA.54, dernière édition. Au Canada, l'installation doit se conformer au Code d'installation du gaz naturel actuel CAN/CGA-B149.1 ou au Code d'installation du propane (LP) CAN/CGA-B149.2, ainsi qu'à tous les codes locaux en vigueur. Cette cuisinière a été certifiée par CSA International selon la norme ANSI Z21.1, dernière édition, et par l'Association canadienne du gaz selon la norme CAN/CGA-1.1, dernière édition.

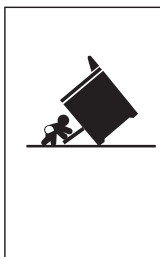
Lors de l'installation d'un appareil au gaz, l'utilisation de vieux raccords flexibles peut causer des fuites de gaz et des blessures. Utilisez toujours un raccord flexible NEUF.

La détection de fuites sur cet appareil doit être effectuée conformément aux instructions du fabricant.

La cuisinière doit être mise à la terre électriquement conformément aux codes locaux ou, en l'absence de codes locaux, conformément au National Electrical Code (ANSI/NFPA 70, dernière édition). Au Canada, la mise à la terre électrique doit se conformer à la norme CSA C22.1 de la Partie 1 du Code canadien de l'électricité actuel et/ou aux codes locaux. Consultez la rubrique Raccordements électriques dans cette section.

N'installez pas ce produit avec une hotte à rideau d'air ou d'autres hottes de cuisinière qui fonctionnent en soufflant de l'air vers le bas sur la table de cuisson. Ce flux d'air peut gêner le fonctionnement des brûleurs à gaz et poser un risque d'incendie ou d'explosion.

POUR VOTRE SÉCURITÉ

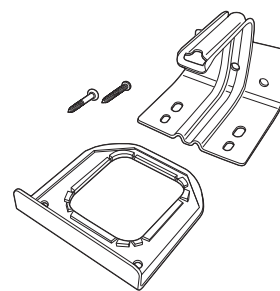


⚠ AVERTISSEMENT

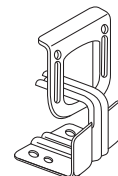
Risque de basculement

- Un enfant ou un adulte peut faire basculer la cuisinière et ainsi perdre la vie.
- Posez la ferrure antibasculement sur le mur ou le plancher.
- Remettez la cuisinière en place en la glissant de façon que son pied s'insère dans la ferrure antibasculement.
- Insérez le pied de nouveau si vous déplacez la cuisinière.
- L'omission d'observer ces consignes peut occasionner la mort ou des brûlures graves aux enfants ou aux adultes.

Si vous n'avez pas reçu une ferrure antibasculement avec votre achat, composez le 1.800.626.8774 pour en obtenir une gratuitement. (Au Canada, composez le 1.800.561.3344.) Pour des instructions d'installation de la ferrure, visitez : www.GEAppliances.com. (Au Canada, www.GEAppliances.ca.)



Trousse de ferrure antibasculement incluse



Vue arrière

⚠ AVERTISSEMENT

Avant de commencer l'installation, coupez l'alimentation électrique au panneau de service et verrouillez ce panneau de façon à empêcher le rétablissement accidentel du courant électrique. S'il est impossible de verrouiller le panneau de service, fixez solidement un avertissement bien visible, par exemple une étiquette, sur le panneau de service.

LISEZ ET CONSERVEZ CES INSTRUCTIONS

Consignes de Sécurité

AVANT DE COMMENCER

Lisez attentivement l'ensemble des consignes.

- **IMPORTANT** — Conservez ces instructions pour l'inspecteur local.
- **IMPORTANT** — Respectez toutes les normes ainsi que les recommandations préconisées par les autorités compétentes.
- **IMPORTANT** — Retirez tout le matériel d'emballage et la documentation dans le four avant de raccorder les alimentations en gaz et électrique à la cuisinière.
- **IMPORTANT** — Pour éviter d'endommager vos armoires, vérifiez auprès de votre entrepreneur ou votre fournisseur d'armoires si les matériaux utilisés résisteront à la décoloration, la délamination et à d'autres dommages. La conception de ce four est conforme aux exigences des organismes de certification UL et CSA International et satisfait la température maximale admissible de 90 °C (194 °F) pour armoires en bois.
- **Remarque à l'attention de l'installateur** — BAssurez-vous de laisser ces instructions au consommateur.
- **Note au consommateur** — Gardez ces instructions avec votre manuel d'utilisation pour référence ultérieure.
- **Technicien en réparation** — Le schéma électrique se trouve dans une enveloppe attachée à l'arrière de la cuisinière.
- L'exactitude de l'installation relève de la responsabilité de l'installateur.
- La garantie ne couvre pas un produit défectueux en raison d'une installation incorrecte.
- Avant d'installer votre cuisinière sur du linoléum ou tout autre recouvrement de plancher synthétique, assurez-vous que le recouvrement peut supporter une température de 180 °F sans rétrécir, gauchir ou se décolorer. N'installez pas la cuisinière sur un tapis à moins de poser un contreplaqué de 1/4 pouce d'épaisseur ou un matériau isolant similaire entre la cuisinière et le tapis.
- Pour contacter le service de dépannage Monogram le plus proche de chez vous, veuillez appeler le 1.800.444.1845.
- Pour contacter le service de dépannage Monogram du Canada, veuillez appeler le numéro 1.800.561.3344.
- Pour contacter le service d'accessoires et de pièces détachées Monogram, veuillez appeler le 1.800.626.2002.
- Si vous recevez une cuisinière défectueuse, veuillez contacter votre revendeur.

SI L'ARTICLE EST VENDU À L'EXTÉRIEUR DES É.-U. OU DU CANADA

▲ AVERTISSEMENT

Si vous souhaitez utiliser ce produit avec un gaz de pétrole liquéfié (LP) qui contient plus de 10 % de butane, vous devez acheter un nécessaire de conversion au butane no WB28K10589. Pour commander, veuillez composer le 1.888.664.8403 ou le 1.787.276.4051. Le non-respect de cette consigne pourrait présenter un risque d'incendie ou d'intoxication au monoxyde de carbone.

DISPOSITIONS DE HOTTE D'EXTRACTION

Une hotte d'aspiration appropriée est nécessaire pour les modèles à barbecue et est recommandée pour tous les autres modèles.

Cet appareil produisant une importante quantité de chaleur, vous devez porter une attention toute particulière à l'installation de la hotte et de la conduite d'aération afin de vous assurer qu'elle répond aux normes de construction en vigueur dans votre région.

Il faut prévoir les dégagements ci-dessous par rapport aux surfaces horizontales qui se trouvent au-dessus de la cuisinière. Le non-respect de cette consigne pourrait présenter un risque d'incendie.

- Pour les installations dépourvues de hotte, prévoyez un espace minimum de 48" (122 cm) entre l'appareil et tout élément inflammable situé au-dessus de celui-ci.
- Il est possible d'installer une hotte spéciale à proximité d'éléments horizontaux inflammables dans la mesure où celle-ci dispose d'une fonction de mise en marche automatique.
- Pour obtenir les spécifications relatives aux espaces d'autres installations pourvues d'une hotte, veuillez vous reporter aux instructions fournies avec celle-ci.

▲ ATTENTION

Ces cuisinières pèsent plus de 300 kg. Afin d'éviter tout risque de blessure ou d'endommagement de l'appareil et compte tenu du poids et de la taille de la cuisinière :

DEUX PERSONNES SONT NÉCESSAIRES POUR UNE INSTALLATION ADÉQUATE DES CUISINIÈRES 30" (76 cm) et 36" (91 cm).

TROIS PERSONNES SONT NÉCESSAIRES POUR UNE INSTALLATION ADÉQUATE DES CUISINIÈRES 48" (121 CM).

LISEZ ET CONSERVEZ CES INSTRUCTIONS

Table des Matières

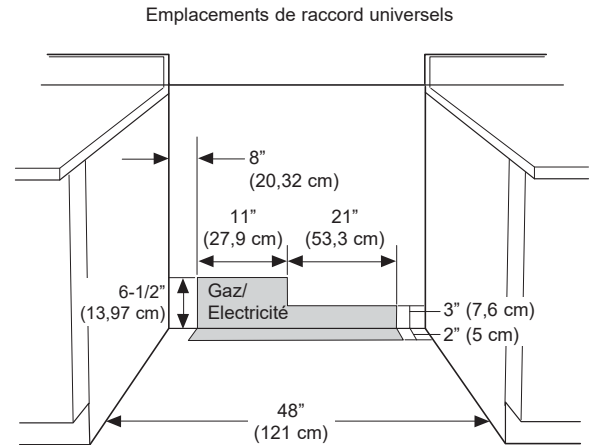
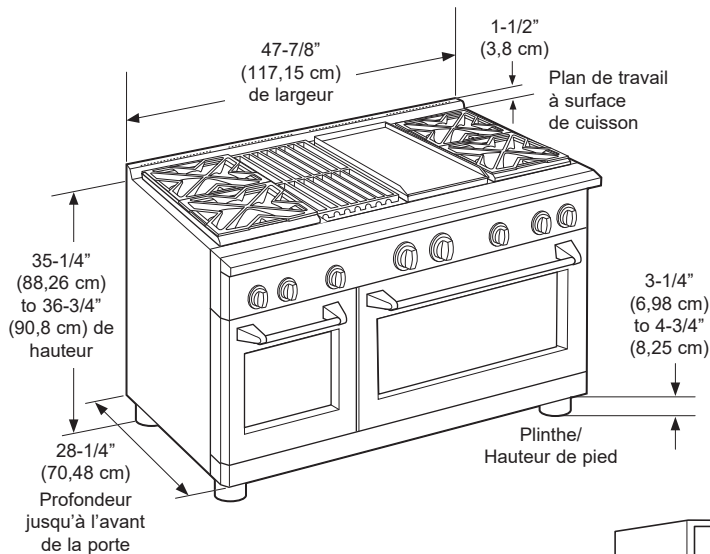
TABLE DES MATIÈRES

Consignes de Sécurité	2	UX12B36PSS Installation d'accessoires	
Caractéristiques		Outils et Matériel Nécessaires	19
Dimensions du Produit et Espaces de Séparation.....	5	Installez le Dosseret 30 Cm (12")	19
Consignes d'installation		UXADJB36PSS, UXADJB48PSS	
Kit Haute Altitude WB28K10553	9	Installation d'accessoires	
Kit de Réduction des Caractéristiques		Outils et Matériel Nécessaires	20
Nominales WB28K10554	9	Installez les Panneaux de Support Mural	20
Matériel Fourni	9	Installez les Panneaux de Recouvrement.....	21
Outils Nécessaires	9	Instructions d'installation	
Matériel Nécessaire.....	9	Conversion au propane (LP) ou au gaz naturel	
Installation		Outils Dont Vous Aurez Besoin Pour la Conversion.....	22
Sortez L'appareil De Son Emballage	10	Support D'orifice	22
Déplacez La Cuisinière À L'intérieur	11	Convertir le Régulateur	22
Installez Le Support Anti-Basculement	12	Changez les Orifices Du Brûleur.....	22
Conversion au propane (LP) ou au gaz naturel.....	13	Changez L'orifice du Grill	23
Alimentation en gaz.....	13	Changez L'orifice de la Plaque Chauffante.....	24
Raccordements électriques.....	14	Remplacement du Brûleur de Cuisson du Four Latéral.....	24
Placez la Cuisinière Dans a Position Finale		Remplacement du Brûleur de Cuisson du	
en la Faisant Rouler.....	14	Four Latéral.....	25
Ajustez Le Niveau de la Cuisinière	15	Réglage des soupapes de brûleur supérieures	26
Remplacez La(Les) Porte(S) du Four	15	Puissances Nominale de Sortie du Brûleur : Btu/Hr	26
Vérifiez les Brûleurs	16		
Vérification des brûleurs de surface.....	16		
Étape 10 Vérifiez le Fonctionnement			
des Brûleurs de Cuisson du Four	16		
Réglez le Brûleur de Cuisson Depuis			
le Volet D'obturation.....	16		
Vérifiez le Fonctionnement du Brûleur du Gril du Four.....	17		
Une fois tous les raccordements terminés.....	17		
Terminez L'installation.....	17		
Liste de Vérification Pour L'installation	17		
Accessoires—Plinthe.....	18		

Caractéristiques

DIMENSIONS DU PRODUIT ET ESPACES DE SÉPARATION

Modèles de cuisinière 121 cm (48")



⚠ AVERTISSEMENT

Pour les installations dépourvues de hotte, prévoyez au minimum un espace de 48" (122 cm) entre l'appareil et toute matière inflammable. Il est possible d'installer une hotte spéciale à proximité d'éléments horizontaux inflammables dans la mesure où celle-ci dispose d'une fonction de mise en marche automatique. Pour obtenir les spécifications d'espace pour d'autres installations pourvues d'une hotte, veuillez vous reporter aux instructions fournies avec celle-ci.

La surface de la totalité de la paroi arrière au-dessus de la cuisinière et en dessous de la hotte doit être recouverte d'un matériau non combustible. Ce matériau doit être un carton fort ininflammable d'au moins 6,4 mm (0,25 po) d'épaisseur recouvert d'une tôle de calibre no 28 MSG d'au moins 0,38 mm (0,015 po) d'épaisseur, d'acier inoxydable de 0,38 mm (0,015 po) d'épaisseur, d'aluminium de 0,64 mm (0,025 po) d'épaisseur, ou de cuivre de 0,5 mm (0,020 po) d'épaisseur.

⚠ ATTENTION

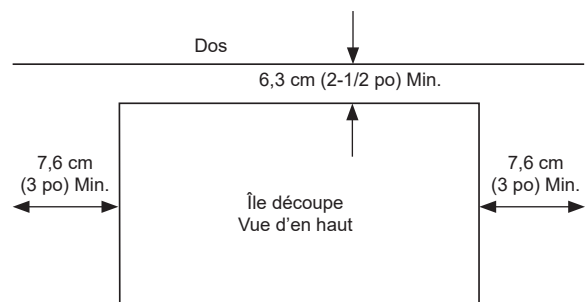
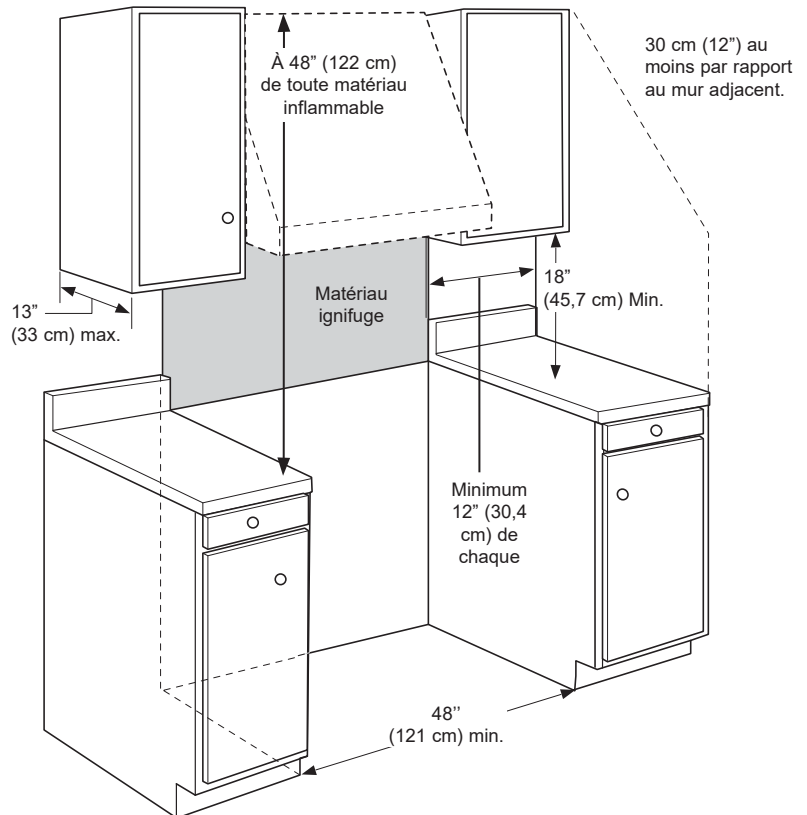
Afin d'éviter que les courants d'air ne gênent le fonctionnement du brûleur, scellez toutes les ouvertures dans le plancher sous l'appareil et derrière la paroi de celui-ci.

ESPACES SUPPLÉMENTAIRES :

Prévoyez un espace minimum de 30 cm (12") par rapport au mur adjacent sur chaque côté.

Les espaces de transit autour de la table de cuisson doivent être séparés par un espace d'au moins 45,7 cm (18") entre le plan de travail et le bas du placard mural.

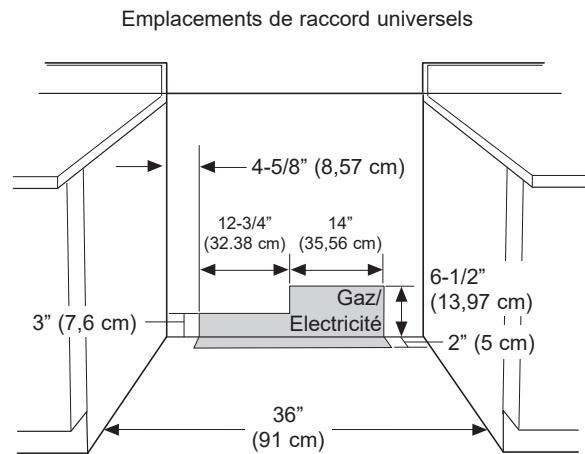
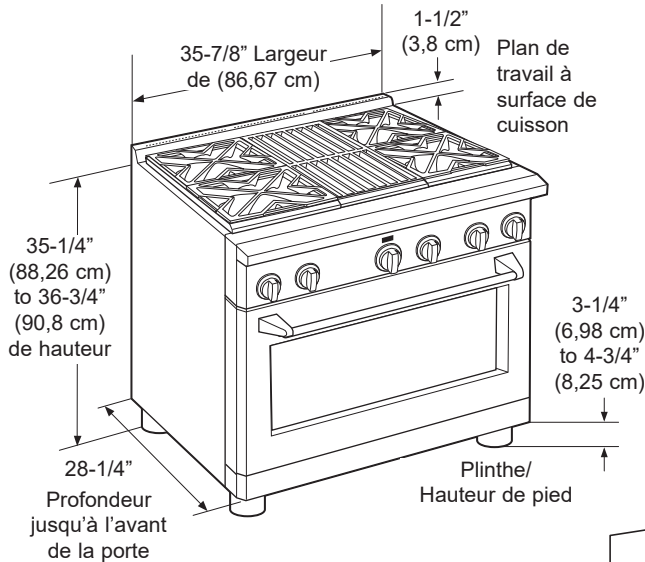
Pour une installation en îlot, maintenir une distance minimum de 6,3 cm (2 1/2 po) entre le bord et le dos du comptoir et 7,6 cm (3 po) minimum sur les côtés du comptoir (voir vue de dessus).



Caractéristiques

DIMENSIONS DU PRODUIT ET ESPACES DE SÉPARATION

Modèles de cuisinière 91 cm (36")



⚠ AVERTISSEMENT

Pour les installations dépourvues de hotte, prévoyez au minimum un espace de 48" (122 cm) entre l'appareil et toute matière inflammable. Il est possible d'installer une hotte spéciale à proximité d'éléments horizontaux inflammables dans la mesure où celle-ci dispose d'une fonction de mise en marche automatique. Pour obtenir les spécifications d'espace pour d'autres installations pourvues d'une hotte, veuillez vous reporter aux instructions fournies avec celle-ci.

La surface de la totalité de la paroi arrière au-dessus de la cuisinière et en dessous de la hotte doit être recouverte d'un matériau non combustible. Ce matériau doit être un carton fort ininflammable d'au moins 6,4 mm (0,25 po) d'épaisseur recouvert d'une tôle de calibre no 28 MSG d'au moins 0,38 mm (0,015 po) d'épaisseur, d'acier inoxydable de 0,38 mm (0,015 po) d'épaisseur, d'aluminium de 0,64 mm (0,025 po) d'épaisseur, ou de cuivre de 0,5 mm (0,020 po) d'épaisseur.

⚠ ATTENTION

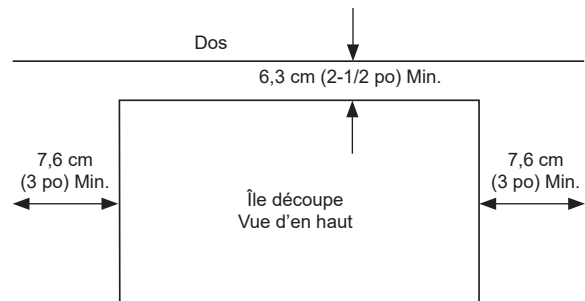
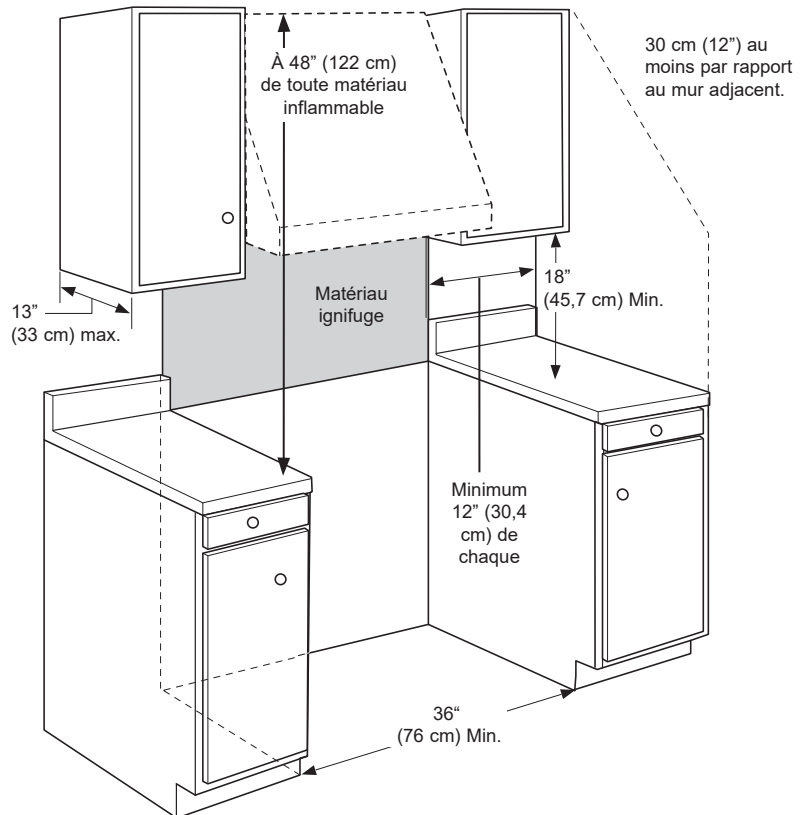
Afin d'éviter que les courants d'air ne gênent le fonctionnement du brûleur, scellez toutes les ouvertures dans le plancher sous l'appareil et derrière la paroi de celui-ci.

ESPACES SUPPLÉMENTAIRES :

Prévoyez un espace minimum de 30 cm (12") par rapport au mur adjacent sur chaque côté.

Les espaces de transit autour de la table de cuisson doivent être séparées par un espace d'au moins 45,7 cm (18") entre le plan de travail et le bas du placard mural.

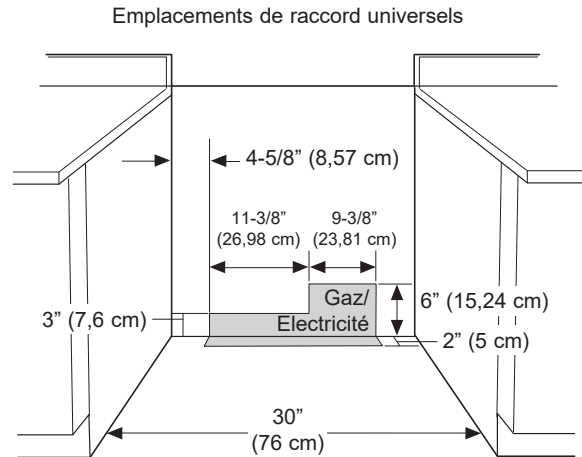
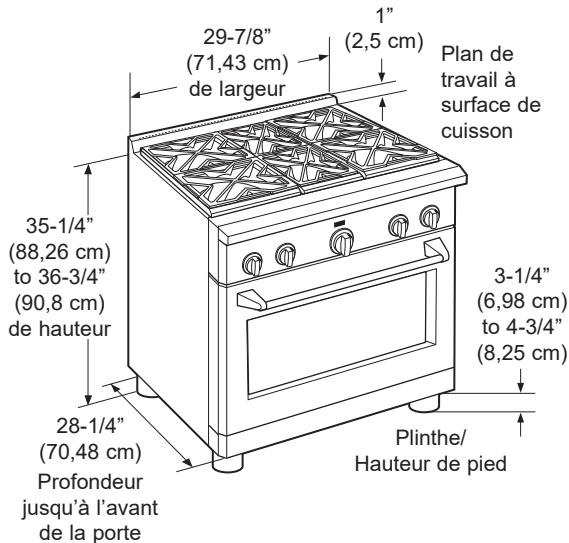
Pour une installation en îlot, maintenir une distance minimum de 6,3 cm (2 1/2 po) entre le bord et le dos du comptoir et 7,6 cm (3 po) minimum sur les côtés du comptoir (voir vue de dessus).



Caractéristiques

DIMENSIONS DU PRODUIT ET ESPACES DE SÉPARATION

Modèles de cuisinière 76 cm (30")



⚠ AVERTISSEMENT

Pour les installations dépourvues de hotte, prévoyez au minimum un espace de 48" (122 cm) entre l'appareil et toute matière inflammable. Il est possible d'installer une hotte spéciale à proximité d'éléments horizontaux inflammables dans la mesure où celle-ci dispose d'une fonction de mise en marche automatique. Pour obtenir les spécifications d'espace pour d'autres installations pourvues d'une hotte, veuillez vous reporter aux instructions fournies avec celle-ci.

La surface de la totalité de la paroi arrière au-dessus de la cuisinière et en dessous de la hotte doit être recouverte d'un matériau non combustible. Ce matériau doit être un carton fort ininflammable d'au moins 6,4 mm (0,25 po) d'épaisseur recouvert d'une tôle de calibre no 28 MSG d'au moins 0,38 mm (0,015 po) d'épaisseur, d'acier inoxydable de 0,38 mm (0,015 po) d'épaisseur, d'aluminium de 0,64 mm (0,025 po) d'épaisseur, ou de cuivre de 0,5 mm (0,020 po) d'épaisseur.

⚠ ATTENTION

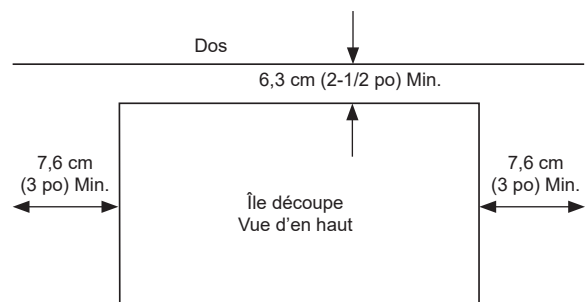
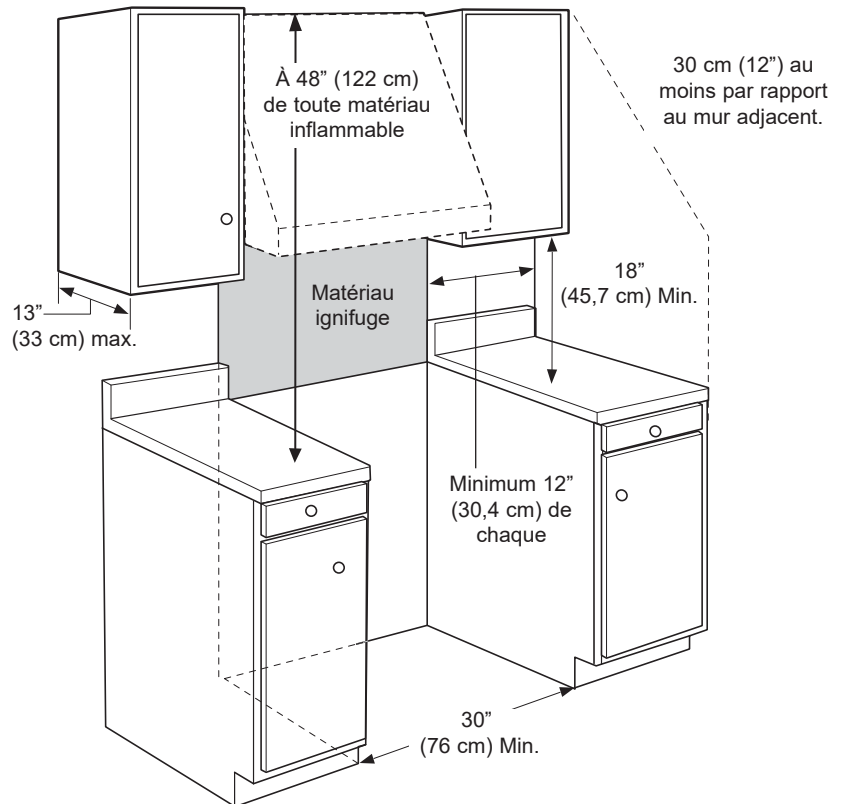
Afin d'éviter que les courants d'air ne gênent le fonctionnement du brûleur, scellez toutes les ouvertures dans le plancher sous l'appareil et derrière la paroi de celui-ci.

ESPACES SUPPLÉMENTAIRES :

Prévoyez un espace minimum de 30 cm (12") par rapport au mur adjacent sur chaque côté.

Les espaces de transit autour de la table de cuisson doivent être séparés par un espace d'au moins 45,7 cm (18") entre le plan de travail et le bas du placard mural.

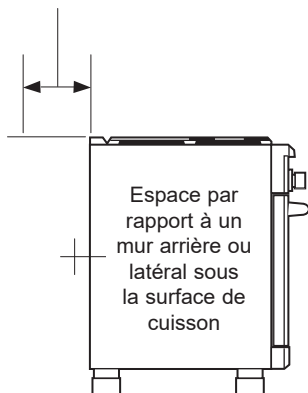
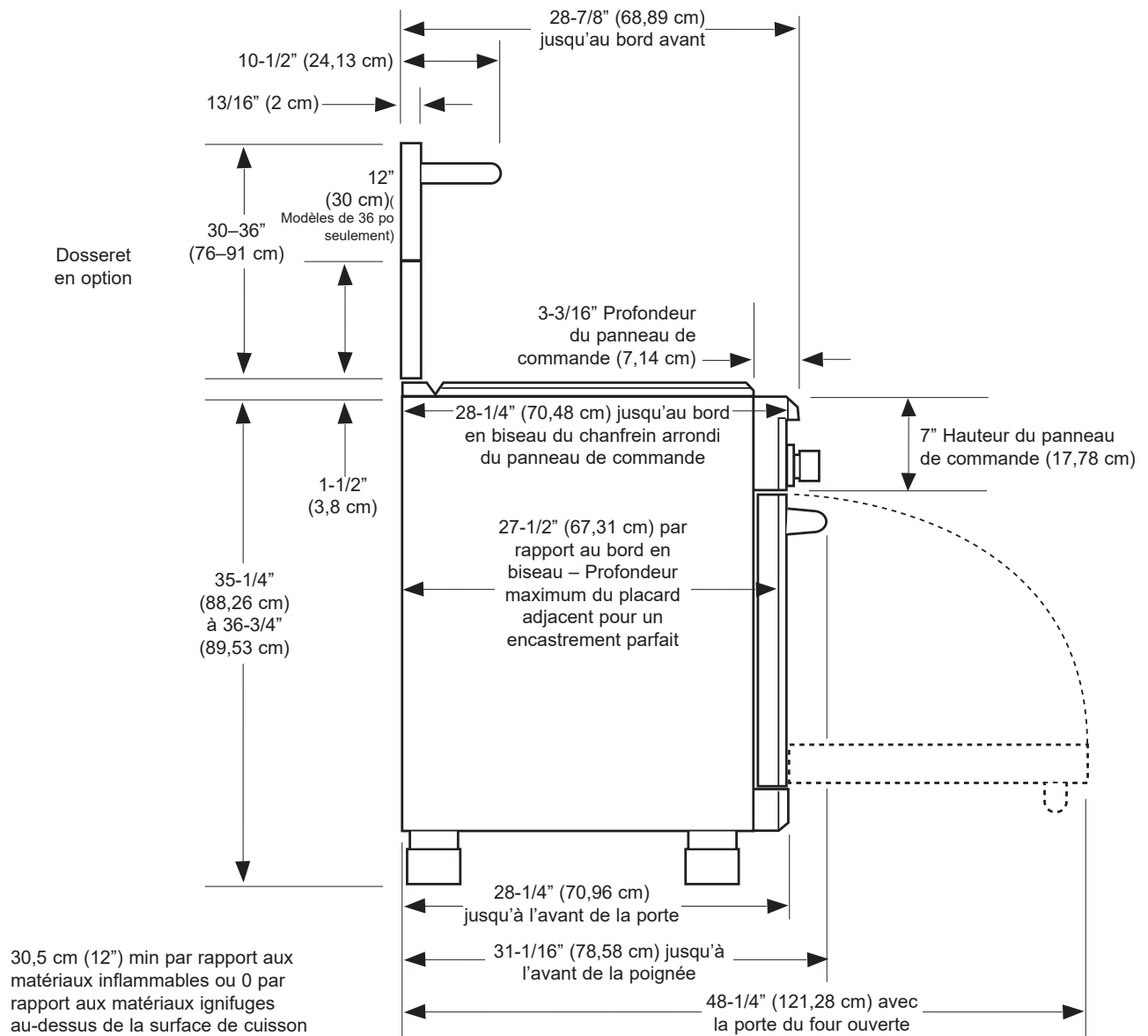
Pour une installation en îlot, maintenir une distance minimum de 6,3 cm (2 1/2 po) entre le bord et le dos du comptoir et 7,6 cm (3 po) minimum sur les côtés du comptoir (voir vue de dessus).



Caractéristiques

DIMENSIONS DE L'APPAREIL ET ESPACES

Modèles de cuisinière 76 cm (30"), 91 cm (36") et 121 cm (48")



⚠ AVERTISSEMENT

Le un dosseret de 12" (30 cm) en acier inoxydable doit être installé avec un dosseret ignifuge personnalisé.

Le dosseret fini doit recouvrir la totalité du mur arrière jusqu'au bas de la hotte, ou en l'absence de hotte, 48" (121 cm) aux matériaux inflammables.

(Modèles de 36 po seulement)

Consignes d'installation

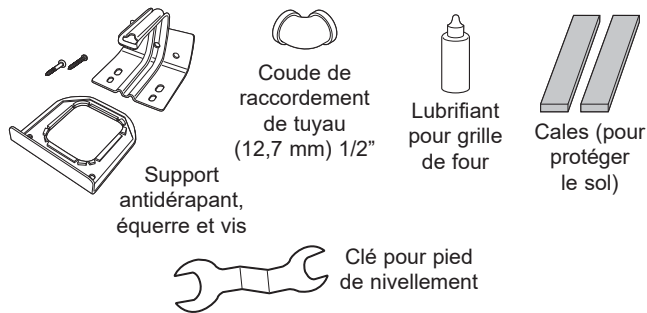
KIT HAUTE ALTITUDE WB28K10553

Pour une utilisation à une altitude supérieure à 900 m (6000 pieds), commandez le kit de conversion WB28K10553. Ce kit comprend des orifices pour un fonctionnement au gaz naturel et au propane (LP).

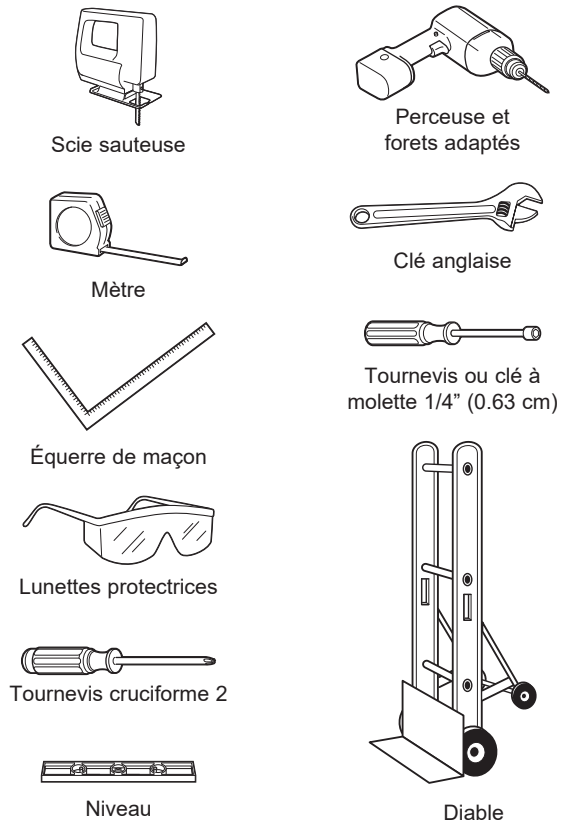
KIT DE RÉDUCTION DES CARACTÉRISTIQUES NOMINALES WB28K10554

(For a small kitchen environment.)
Kit de conversion de réduction des caractéristiques nominales pour le modèle ZDP304N (gaz naturel uniquement). Ce kit comprend des orifices pour réduire la puissance du brûleur de surface au niveau de 40,000 BTU.

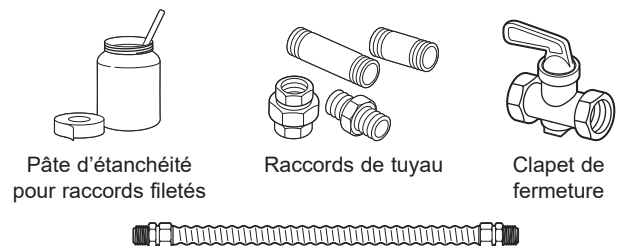
MATÉRIEL FOURNI



OUTILS NÉCESSAIRES



MATÉRIEL NÉCESSAIRE (non fourni)



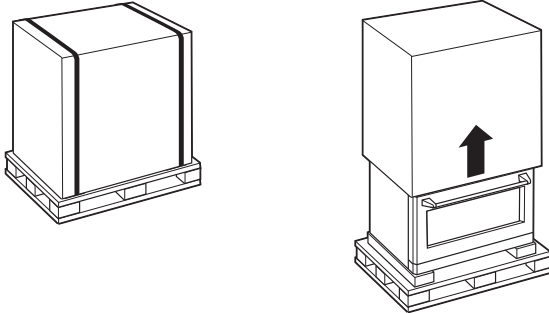
Tuyau métallique flexible d'alimentation de gaz agréé CSA de 1,58 cm de diamètre et d'une longueur maximale de 1,5 m (5 pieds)

REMARQUE : procurez-vous un tuyau flexible neuf, n'utilisez pas un tuyau ayant déjà été utilisé.

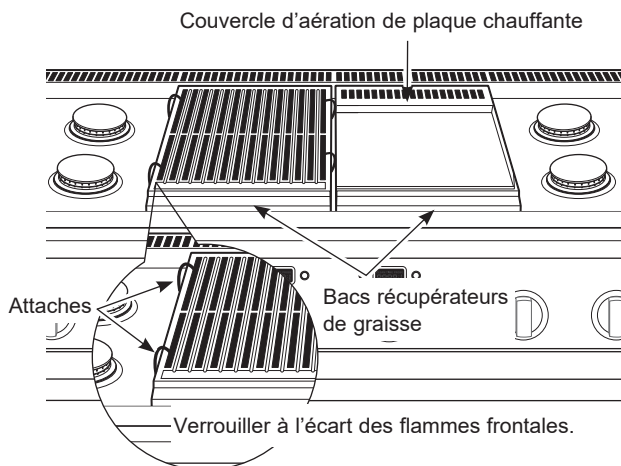
Installation

1 SORTEZ L'APPAREIL DE SON EMBALLAGE

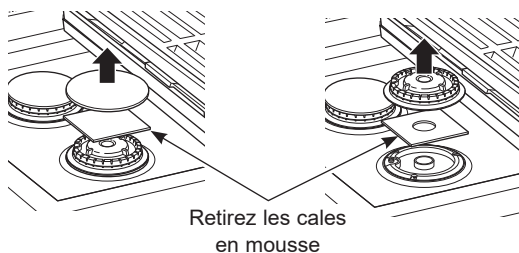
ATTENTION Maintenez-vous à l'écart. Les extrémités des bandes métalliques découpées peuvent vous blesser.



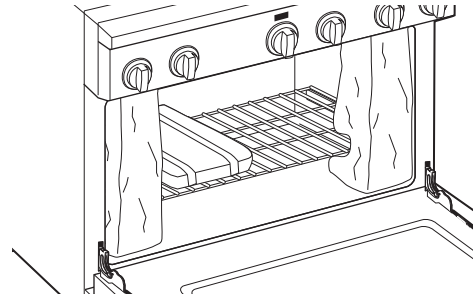
- Coupez les bandes métalliques. Soulevez le carton.
- Localisez les deux bandes du dessus de l'emballage. Ces bandes serviront à protéger le sol de la cuisine pendant l'installation.
- Retirez les montants d'angle. Jetez les matériaux d'emballage.
- Retirez les couvercles de la plaque chauffante/du grill, les grilles du grill et des brûleurs.
- Soulevez le couvercle en fonte de la plaque chauffante, les bacs récupérateurs de graisse et les cales.
- Coupez les attaches qui fixent la grille du grill au cadre du grill.



- Soulevez les chapeaux des brûleurs et retirez la cale en mousse, puis soulevez les têtes des brûleurs et retirez la cale en mousse.

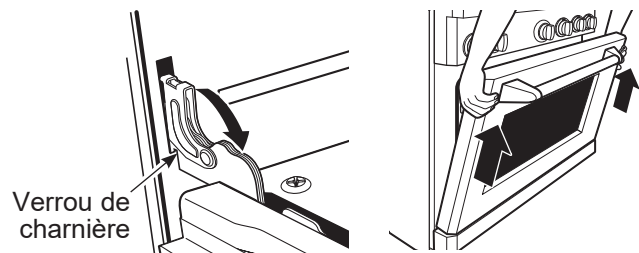


- Ouvrez la(les) porte(s) du four et retirez l'emballage. Retirez l'étagère qui supporte le plat de cuisson, le ruban, l'emballage, le lubrifiant pour étagère et la sonde.



ATTENTION Les portes et les voies de passage menant à l'emplacement d'installation requièrent un espace de (80 cm) 32". Si l'espace est inférieur à 80 cm, la (les) porte(s) du four et les boutons de commande doivent être retirés.

RETIREZ LA(LES) PORTE(S) DU FOUR QUE SI CELA S'AVÈRE NECESSAIRE pour déplacer la cuisinière sur les entrées de porte. Afin ne pas endommager les flancs de la cuisinière, il sera nécessaire de rembourrer les coins sous les bandes sur le diable.



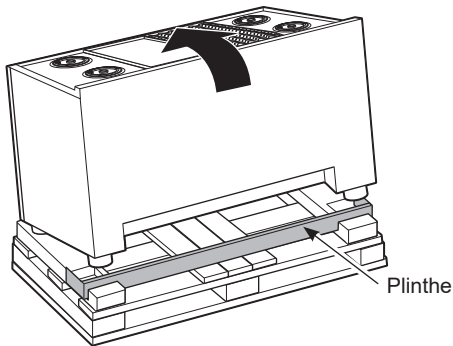
Pour retirer la(les) porte(s) :

- Ouvrez la porte en grand.
- Chaque charnière est munie d'un verrou. Tirez la charnière.
- Tenez fermement la porte sur les côtés supérieurs.
- Fermez la porte en position quasi verticale.
- Soulevez la porte et tirez verticalement.

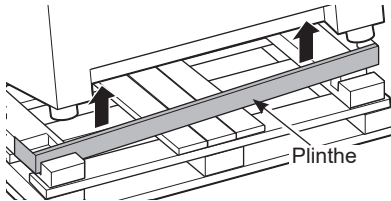
Installation

2 DÉPLACEZ LA CUISINIÈRE À L'INTÉRIEUR

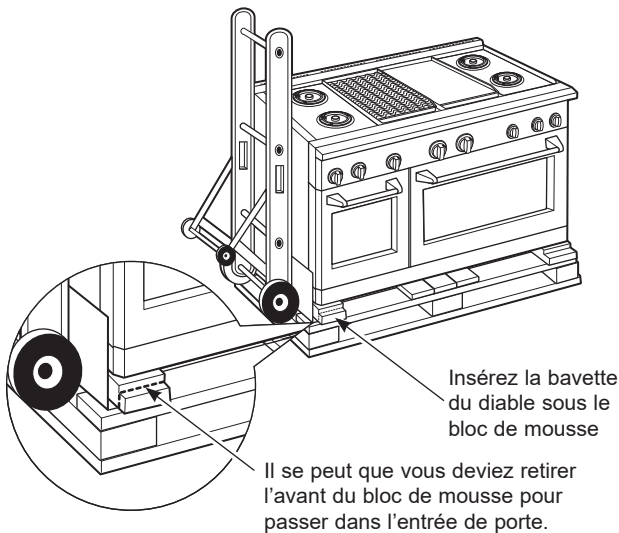
1. Inclinez la cuisinière vers l'avant sur le patin.



2. Soulevez la plinthe du socle en mousse.



3. Poussez la bavette du diable sous le bloc de mousse.

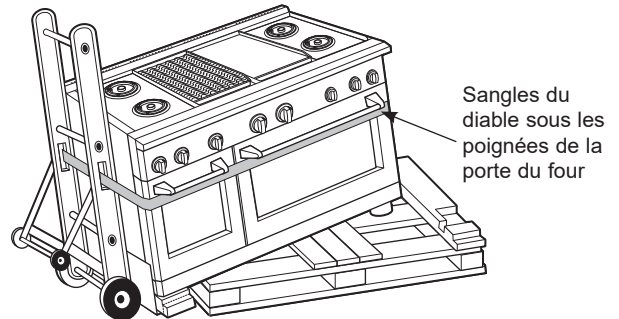


IMPORTANT : Ne retirez pas le bloc de mousse de base pendant l'utilisation du chariot manuel. Placez la lame du chariot sous le bloc de mousse puis transportez la cuisinière à sa destination finale.

4. Attachez les sangles du chariot de manutention autour de l'appareil.

IMPORTANT : Placez les sangles du diable sous les poignées de la porte du four. Pour éviter endommager les panneaux latéraux, placez un coussin entre le diable et la cuisinière.

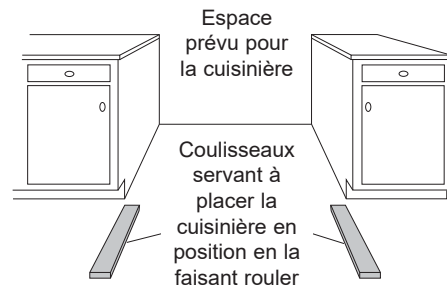
5. Inclinez la cuisinière pour abaisser les roulettes du diable hors du frein antidérapant.



6. Placez les coulisseaux de l'appareil sur le sol sur les côtés gauche et droite à l'avant de l'ouverture.

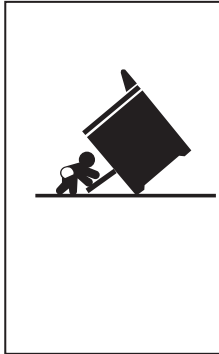
IMPORTANT : Les coulisseaux fournissent une surface pour faire rouler la cuisinière dans sa position finale et protéger la finition du sol. Retirez les coulisseaux avant d'ajuster le niveau de la cuisinière.

7. Déplacez la cuisinière. Posez la cuisinière en face de l'emplacement de l'installation, sur les guides.



Installation

3 INSTALLEZ LE SUPPORT ANTI-BASCULEMENT



⚠ AVERTISSEMENT

Risque de basculement

- Un enfant ou un adulte peut faire basculer la cuisinière et ainsi perdre la vie.
- Posez la ferrure antibasculement sur le mur ou le plancher.
- Remettez la cuisinière en place en la glissant de façon que son pied s'insère dans la ferrure antibasculement.
- Insérez le pied de nouveau si vous déplacez la cuisinière.
- L'omission d'observer ces consignes peut occasionner la mort ou des brûlures graves aux enfants ou aux adultes.

Afin d'éviter que la cuisinière ne bascule, il est nécessaire de la fixer à l'aide d'un support anti-basculement. Reportez-vous aux consignes d'installation fournies avec le support pour en savoir plus avant de procéder à l'installation.

Afin de vérifier la bonne installation du support, regardez au-dessous de la cuisinière. Le support anti-basculement devrait être inséré dans l'ouverture de l'équerre anti-basculement sur la cuisinière. Si le bras du support manque l'équerre sur le côté droit au gauche, ou le bras du support ne dépasse pas à travers l'ouverture de l'équerre, réinstallez le support.

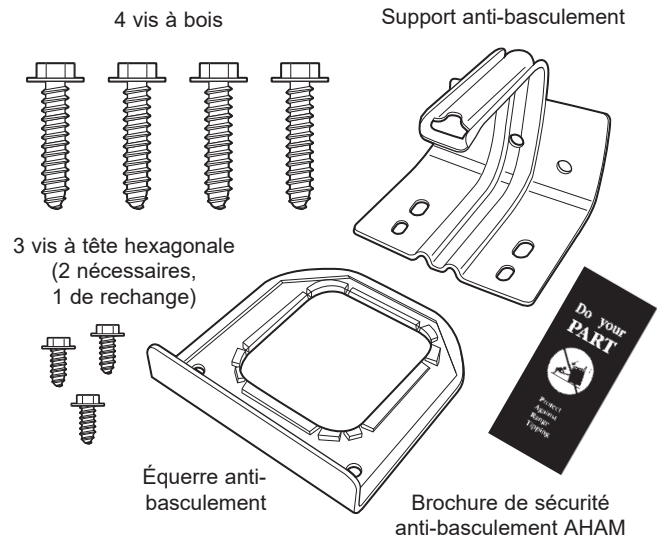
Si la cuisinière est tirée du mur, répétez cette procédure afin de vérifier si la cuisinière est correctement fixée par le support anti-basculement.

Si votre cuisinière ne dispose pas support anti-basculement, appelez le 1.800.626.8774 pour en recevoir un gratuitement.

Si le support anti-basculement fourni avec la cuisinière n'adapte pas dans cette application, utilisez le support anti-basculement universel WB2X7909.

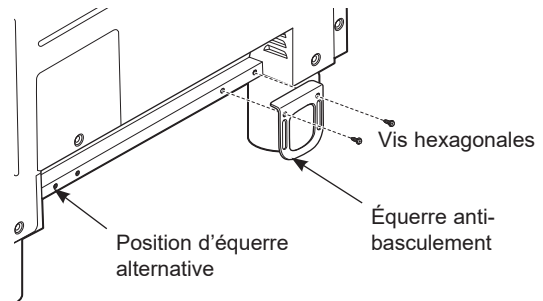
Veuillez lire la brochure de sécurité contre les basculements AHAM livrée avec le support.

Pièces du support anti-basculement fournies



- Fixez l'équerre anti-basculement au bas de la cuisinière dans l'espace en retrait. Installez 2 vis hexagonales (fournies) sur l'équerre et la cuisinière.

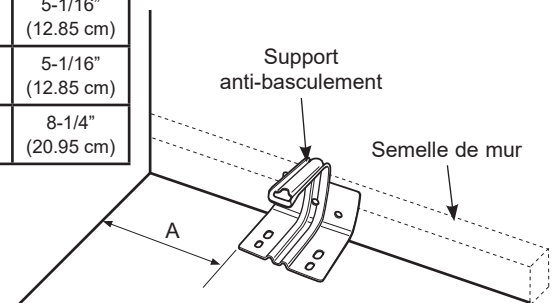
REMARQUE : Ce dispositif anti-basculement peut être installé sur le côté opposé de la cuisinière.



- Mesurez et marquez Dimensionnez A (voir le tableau ci-dessous) du côté gauche (ou droit) de l'emplacement d'installation, Si le plan de travail est doté d'un surplomb, ajoutez cette dimension à Dimensionnez A.
- Placez le support anti-basculement sur le sol et le mur arrière selon l'emplacement marqué. Marquez des repères pour les trous à vis pour la fixation du support sur la semelle du mur et le sol.
- Percez des trous repère de 31 mm (1/8") à un angle de 20°.
- Fixez le support sur le sol et/ou le mur à l'aide les 2 vis à bois (fournies).

Pour les constructions en ciment ou béton : Vous devez utiliser les éléments fixation appropriés (non fournis).

La Cuisinière	A
30" (76 cm)	5-1/16" (12.85 cm)
36" (91 cm)	5-1/16" (12.85 cm)
48" (121 cm)	8-1/4" (20.95 cm)



Installation

4 CONVERSION AU PROPANE (LP) OU AU GAZ NATUREL

Les orifices du régulateur de pression et du brûleur sont préparés soit pour le gaz naturel, soit pour le propane (LP) à l'usine selon le numéro de modèle. Pour convertir vers un gaz différent de celui déterminé à l'usine, il faut changer ces orifices. La conversion doit être effectuée par un installateur d'équipements au propane (LP) qualifié.

Conservez ces instructions et tous les orifices dans l'éventualité d'un retour au gaz naturel.

5 ALIMENTATION EN GAZ

⚠ AVERTISSEMENT Risque d'incendie : N'utilisez pas une flamme pour détecter les fuites de gaz.

⚠ AVERTISSEMENT Risque d'explosion : Le couple de serrage des raccordements à la conduite de gaz ne doit pas excéder 25 lb-pi. Un serrage trop élevé peut endommager le régulateur de pression et poser un risque d'incendie ou d'explosion.

Régulateur de pression du gaz

Vous devez utiliser le régulateur de pression fourni avec cette cuisinière. Pour un bon fonctionnement, la pression d'admission de gaz au régulateur doit présenter les valeurs suivantes :

Gaz naturel :

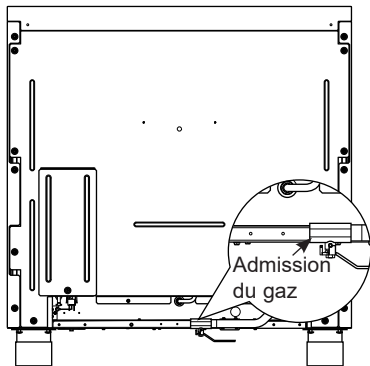
Pression minimale : 6 podes colonne d'eau
Pression maximale : 13 podes colonne d'eau

Propane (LP) :

Pression minimale : 11 podes colonne d'eau
Pression maximale : 13 podes colonne d'eau

Si vous doutez de connaître la pression d'admission de gaz, communiquez avec votre fournisseur de gaz local.

REMARQUE : Cette cuisinière est équipée d'un clapet de fermeture de gaz situé à l'arrière de la cuisinière près du plancher. Ce clapet de fermeture est utilisé lorsqu'une réparation est requise. Pour atteindre ce clapet de fermeture, retirez la plinthe et passez le bras sous la cuisinière.



5 ALIMENTATION EN GAZ (suite)

Fermez le robinet d'alimentation en gaz principal avant de déconnecter l'ancienne cuisinière et ne rétablissez l'alimentation que lorsque le nouveau raccordement est terminé. N'oubliez pas de rallumer la veilleuse du nouveau dispositif lors du rétablissement du gaz.

Étant donné que la tuyauterie rigide restreint le mouvement de la cuisinière, l'utilisation d'un raccord métallique flexible certifié par CSA International est recommandé sauf si les codes locaux exigent un raccordement par tuyauterie rigide.

Si la méthode par tuyauterie rigide est utilisée, vous devez aligner minutieusement le tuyau car la cuisinière ne pourra pas être déplacée une fois le raccordement effectué.

Afin de prévenir les fuites de gaz, mettez de la pâte d'étanchéité pour joints filetés, ou du ruban pour filets de tuyau Teflon*, sur tous les filets de tuyaux mâles (extérieurs).

- Installez un robinet de sectionnement manuel sur la conduite de gaz à un endroit facilement accessible à l'extérieur de la cuisinière. Assurez-vous que tous les usagers de la cuisinière sauront l'endroit où se trouve ce robinet et la façon de fermer l'alimentation de gaz à la cuisinière.
- Vissez un raccord union conique mâle de 1/2 posur le filet intérieur 1/2 po NPT de l'orifice d'admission du robinet de sectionnement de la cuisinière. Utilisez une deuxième clé de serrage sur le robinet de sectionnement pour prévenir les dommages.
- Vissez un raccord union mâle de 1/2 ou 3/4 posur le filet NPT intérieur du robinet de sectionnement du domicile, en veillant à immobiliser le robinet de sectionnement avec une clé pour l'empêcher de tourner.
- Posez le raccord métallique flexible pour électroménagers sur l'adaptateur de la cuisinière. Placez la cuisinière de façon à permettre le raccordement au robinet de sectionnement du domicile.
- Une fois tous les raccordements effectués, assurez-vous que toutes les commandes de la cuisinière se trouvent à la position d'arrêt (OFF) et ouvrez le robinet d'alimentation en gaz principal. Utilisez un détecteur de fuites liquide à tous les raccords de gaz afin de détecter d'éventuelles fuites de gaz dans le système.

Si vous utilisez une pression supérieure à 1/2 psig pour l'essai de pression du système d'alimentation en gaz du domicile, déconnectez la cuisinière et le robinet de sectionnement individuel de la tuyauterie d'alimentation en gaz. Si vous utilisez une pression égale ou supérieure à 1/2 psig pour l'essai de pression du système d'alimentation en gaz, isolez simplement la cuisinière du système d'alimentation en gaz en fermant le robinet de sectionnement individuel.

Lors de la vérification du bon fonctionnement du régulateur, la pression d'admission doit être supérieure d'au moins 1 po par rapport à la pression de service (collecteur) indiquée sur l'étiquette signalétique du produit.

*Teflon : Marque déposée de DuPont.

Installation

6 BRANCHEMENTS ÉLECTRIQUES

⚠ AVERTISSEMENT

Risque de décharge électrique : Cet appareil doit être mis à la terre correctement. L'omission de procéder ainsi peut occasionner une décharge électrique.

Exigences électriques - 120-volts, 60 hertz, circuit dédié correctement mis à la terre par un disjoncteur de 15 ou 20 ampères ou un fusible temporisé.

REMARQUE : Pour ce produit, il est recommandé d'utiliser des interrupteurs extérieurs câblés, sans fil ou automatiques qui coupent le courant à l'appareil.

Mise à la terre

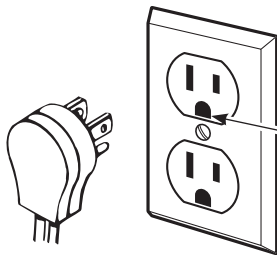
Le cordon électrique de cet appareil est muni d'une fiche à trois broches (avec terre) qui s'insère dans une prise murale à trois fentes standard afin de minimiser le risque de décharge électrique de cet appareil.

Le client devrait faire inspecter la prise murale et le circuit par un électricien agréé pour s'assurer que la prise est correctement mise à la terre.

Si la prise murale disponible est à deux fentes seulement, le client a la responsabilité et l'obligation de la remplacer par une prise murale à trois broches correctement mise à la terre.

EN AUCUNE CIRCONSTANCE VOUS NE DEVEZ COUPER OU ENLEVER LA TROISIÈME BROCHE (TERRE) DE LA FICHE DU CORDON ÉLECTRIQUE. N'UTILISEZ PAS UN ADAPTATEUR. N'UTILISEZ PAS UN CORDON DE RALLONGE.

Les disjoncteurs différentiels de fuite à la terre (DDFT) ne sont pas requis ni recommandés pour les prises électriques de cuisinières au gaz. Le rendement de la cuisinière ne sera pas diminué avec un circuit protégé par DDFT mais des déclenchements occasionnels du disjoncteur DDFT peuvent survenir.



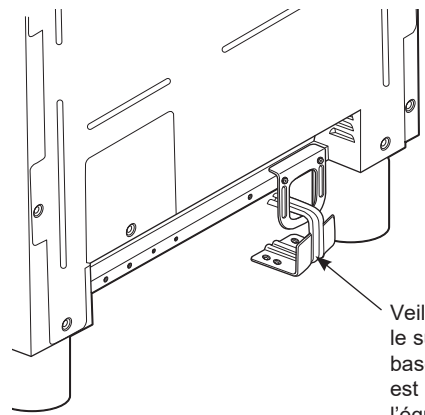
S'assurer d'une mise à la terre correcte avant l'utilisation

7 PLACEZ LA CUISINIÈRE DANS A POSITION FINALE EN LA FAISANT ROULER

⚠ AVERTISSEMENT

Le support antibasculement doit être correctement installé pour éviter le basculement de la cuisinière, afin d'éviter des blessures graves ou des dommages matériels.

- Assurez-vous que les coulisseaux se trouvent sous les roulettes.
- La cuisinière est livrée avec les roulettes pliées. Faites rouler la cuisinière vers sa position finale, en prenant soin de ne pas coincer ou d'emmêler le cordon d'alimentation ou les tuyaux flexibles d'alimentation en gaz.
- Retirez les coulisseaux du dessous la cuisinière.



Veillez à ce que le support antibasculement est inséré avec l'équerre sur la cuisinière

Installation

8 AJUSTEZ LE NIVEAU DE LA CUISINIÈRE

⚠ AVERTISSEMENT

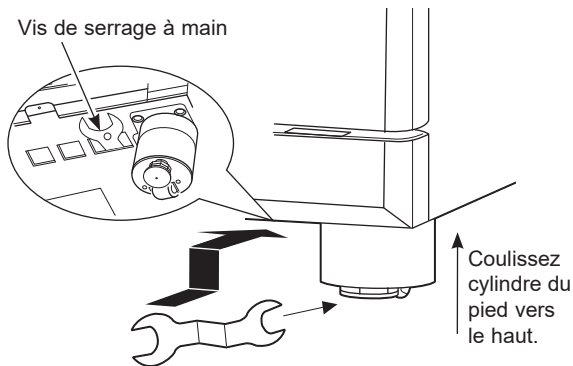
La cuisinière doit être à plat et reposer sur des pieds et non pas des roulettes. La cuisinière pourrait bouger si les roulettes touchent le sol. Veillez à ce que les pieds touchent le sol quelque soit l'installation.

- Tous les pieds doivent être à plat après installation de l'appareil.
- Veillez à ce que les placards/plans de travail situés à côté soient à plat, de haut en bas et de gauche à droite sur l'espace de la cuisinière.
- Mesurez la distance qui sépare le sol du haut du plan de travail au niveau des coins supérieurs droit et gauche.
- Réglez la hauteur de la cuisinière sur la hauteur du plan de travail ou plus haut.

IMPORTANT : Cette cuisinière doit toujours être installée à la hauteur du plan de travail ou plus haut. **N'INSTALLEZ PAS LA CUISINIÈRE PLUS BAS QUE LE PLAN DE TRAVAIL ADJACENT.** La cuisinière doit être posée sur 4 pieds, indépendamment de la hauteur du plan de travail.

AJUSTEMENT DU PIED AVANT

- Un clé pour pied de support est fournie. Accédez au dessous de la cuisinière à proximité du pied droit. Localisez et retirez une vis de serrage à main, puis dégagez la clé de la rainure.
- Glissez les cylindres avant vers le haut pour accéder aux pieds de nivellement avant. Prenez soin de ne pas endommager le cylindre.

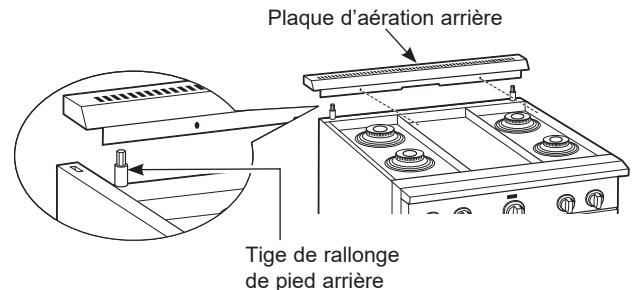


- Utilisez la clé fournie pour régler les pieds de nivellement avant. Tournez dans le sens des aiguilles pour allonger les pieds afin de soulever et stabiliser la cuisinière. Tournez dans le sens contraire des aiguilles pour rentrer les pieds et faire reposer la cuisinière sur ses roulettes.
- Veillez ranger la clé dans son étui de rangement pour la réutiliser ultérieurement.

8 AJUSTEZ LE NIVEAU DE LA CUISINIÈRE (suite)

AJUSTEMENT DU PIED ARRIÈRE

- Retirez les deux vis de la plaque d'aération arrière. Faites coulisser la plaque d'aération vers l'avant, puis soulevez-la pour la retirer.
- Saisissez-vous des deux tiges de rallonge de pied. Utilisez un tournevis ou une clé 0,53 cm (1/4") pour ajuster les pieds arrière gauche et droit.



- Remplacez la plaque d'aération arrière à l'aide des vis d'origine.

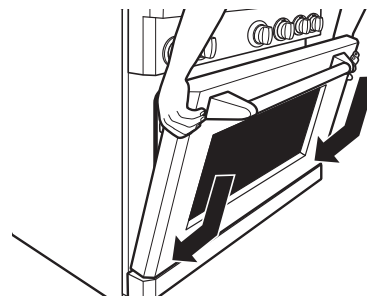
9 REMPLACEZ LA(LES) PORTE(S) DU FOUR

Passez à l'étape suivante si les portes du four sont installées.

IMPORTANT : Ne soulevez pas la porte par la poignée.

Pour remplacer les portes du four :

- Tenez fermement la porte par le haut. C'est essentiel.
- Rapprochez la cuisinière avec la porte inclinée en position verticale.
- Coulissez les charnières dans les rainures.
- Poussez la porte pour ouvrir.
- Une fois en position, ouvrez la porte en grand. Rabattez ou déployez les verrous de charnière vers le cadre avant.



⚠ ATTENTION

Remplacez les portes du four avec précaution. Si le loquet de la charnière n'est pas correctement verrouillé, la charnière pourrait se rétracter et se détacher. Si la charnière se détache, vous devez appliquer une pression (avec votre pied) pour la plaquer et enclencher le loquet.

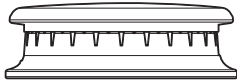
Installation

10 VÉRIFIEZ LES BRÛLEURS

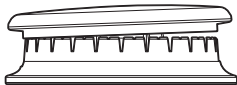
⚠ AVERTISSEMENT

Risque d'incendie ou d'explosion :
Ne faites pas fonctionner le brûleur sans que toutes ses pièces ne soient en place.

- A. **Brûleur** - Placez les brûleurs de surface dans les positions correspondantes sur la table de cuisson.
- B. **Chapeaux** - Placez les chapeaux sur les brûleurs de taille appropriée.
- C. **Grilles** - Les grilles gauche et droite sont interchangeables. Placez les grilles sur la table de cuisson.



Chapeau de brûleur incorrectement installé



Chapeau de brûleur correctement installé

11 VÉRIFICATION DES BRÛLEURS DE SURFACE

Poussez et tournez un bouton jusqu'à la position LITE. Un clic indique le bon fonctionnement du système d'allumage. Lors de l'allumage d'un brûleur, des étincelles apparaîtront dans tous les brûleurs mais le gaz alimentera uniquement celui qui est sélectionné. Une fois l'air purgée de la conduite d'alimentation, le brûleur devrait s'allumer sous 4 secondes. Une fois le brûleur allumé, tournez le bouton à l'écart de la position LITE. Essayez chaque brûleur successivement jusqu'à ce que tous les brûleurs soient vérifiés.

Qualité des flammes

Déterminez la qualité des flammes visuellement. Des flammes de brûleur normales devraient ressembler à (A) ou (B).



(A) Flammes d'un bleu doux —
Normal pour le gaz naturel



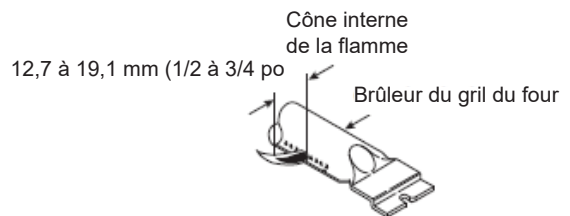
(B) Extrémités jaunes sur les
cônes extérieurs —
Normal pour le propane (LP)

Des flammes longues d'un jaune vif ne sont pas normales. Des flammes normales peuvent présenter une touche d'orange lorsque bien chauffées ou des signes de vacillement orange causé par des particules dans le gaz ou l'air.

12 ÉTAPE 10 VÉRIFIEZ LE FONCTIONNEMENT DES BRÛLEURS DE CUISSON DU FOUR

- A. Retirez les boutons du four et du diffuseur (voir les articles 6A et B des instructions de conversion, à la page 24).
- B. Pour faire fonctionner le brûleur de cuisson, tournez le bouton du sélecteur de mode du four à cuisson et tournez le bouton de commandes de température à 350. Le brûleur s'allumera après 30 à 90 secondes.

Les flammes doivent être stables et bleues, environ 2,5 cm (1 po) de hauteur et en forme de cône si le four est alimenté avec le gaz naturel et sans pointes jaunes à l'extrémité. Pour la plupart des fours alimentés au propane (LP), les petites pointes jaunes à l'extrémité du cône de la flamme sont normales. La longueur du cône interne de la flamme pour les deux types de gaz doit être de 12,7 à 19,1 mm (1/2 à 3/4 po).



- C. Répétez la même vérification avec le four latéral (si présent).

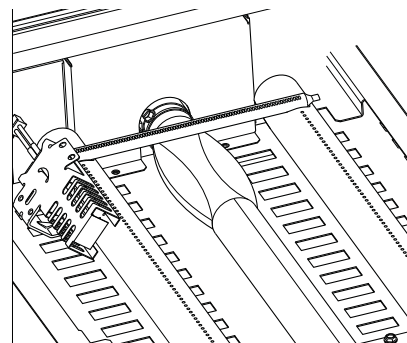
13 RÉGLEZ LE BRÛLEUR DE CUISSON DEPUIS LE VOILET D'OBTURATION (si nécessaire)

Réglage du volet d'obturation :

1. Si les flammes sont jaunes, ouvrez le volet d'obturation d'air plus grand que le réglage d'origine.
2. Si la hauteur de la flamme est trop haute ou qu'elle flotte au-dessus du brûleur, fermez le volet d'obturation d'air à un niveau inférieur du réglage d'origine.

Retirez le brûleur pour accéder au volet d'obturation d'air du brûleur.

- A. Utilisez un tournevis pour dévisser la vis de réglage du volet d'obturation d'air.



Installation

13 RÉGLEZ LE BRÛLEUR DE CUISSON DEPUIS LE VOLET D'OBTURATION (suite)

- B. Réglez le volet d'obturation d'air.
- C. Revissez la vis de réglage du volet d'obturation d'air.
- D. Vérifiez si la hauteur de la flamme du cône interne se situe entre 12,7 à 19,1 mm (1/2 à 3/4 po).

Réinstallez toutes les pièces après confirmation du bon fonctionnement.

14 VÉRIFIEZ LE FONCTIONNEMENT DU BRÛLEUR DU GRIL DU FOUR

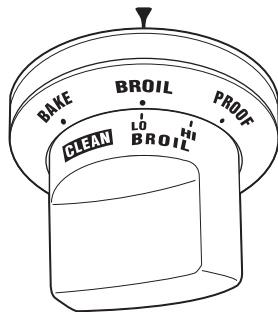
Le brûleur du gril du four doit chauffer pendant 3 minutes avant de procéder à sa vérification.

1. Pour faire fonctionner le brûleur du gril, tournez le bouton du sélecteur de mode du four à Broil (gril) puis tournez le bouton du sélecteur de température à Broil Hi (température élevée). Le brûleur s'allumera après 30 à 90 secondes.

La présence d'une nappe de flamme uniforme doit couvrir toute la surface de la plaque perforée, les flammes doivent être bleues et à peine visible et d'une hauteur d'environ 0,63 mm (1/2 po). Après environ 3 minutes, la surface de la plaque perforée brillera d'une couleur orange.

2. Répétez la même méthode de vérification pour le four latéral (si présent).

Si la flamme est longue et flétrie, vérifiez si l'orifice adéquat est installé et la conversion adéquate du régulateur vers le type de gaz d'alimentation de votre four.



UNE FOIS TOUS LES RACCORDEMENTS TERMINÉS

Vérifiez que tout le ruban et matériel d'emballage ont été retirés. Cela comprend le ruban sur le panneau métallique sous les boutons de commande (le cas échéant), le ruban adhésif, les attaches de câble, le carton et le plastique de protection. L'omission de retirer ce matériel peut causer des dommages à l'appareil une fois celui-ci allumé et ses surfaces chauffées.

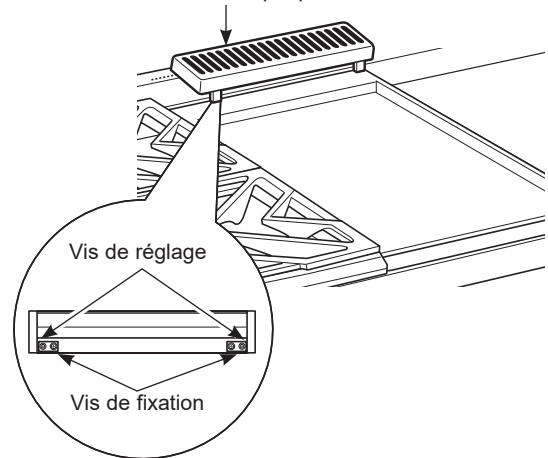
TERMINEZ L'INSTALLATION

Placez les grilles des brûleurs sur les brûleurs. Les grilles doivent être posées et ne devraient pas bouger.

La plaque chauffante est fixée à l'aide de vis. Elle a été conçue pour être statique et elle ne doit pas être retirée.

La plaque chauffante est dotée de deux vis de réglage sous le couvercle d'aération arrière que vous pouvez utiliser pour ajuster l'inclinaison de votre choix.

Couvercle d'aération de la plaque chauffante



Les deux vis intérieures sont des vis de fixation qui maintiennent la plaque en place. Desserrez les deux vis avant de régler. Ne retirez pas ces deux vis.

Les deux vis externes sont des vis de réglage. Ne retirez pas ces deux vis. Elles peuvent être vissées pour régler le niveau de la plaque chauffante ou pour créer une inclinaison vers l'avant permettant d'évacuer la graisse et l'huile des aliments cuisinés.

Après avoir réglé le niveau de la plaque chauffante, serrez les deux vis de fixation à la main, en prenant soin de ne pas trop serrer.

LISTE DE VÉRIFICATION POUR L'INSTALLATION

- Veillez à ce que les boutons de commande soient sur OFF.
- Veillez à ce que l'air de ventilation de combustion vers la table de cuisson n'est pas obstrué.
- **Revérifiez les étapes :**
Procédez à une nouvelle vérification afin de vous assurer que les consignes figurant dans ce manuel ont été respectées. Cette vérification garantira le fonctionnement optimale de la table de cuisson.

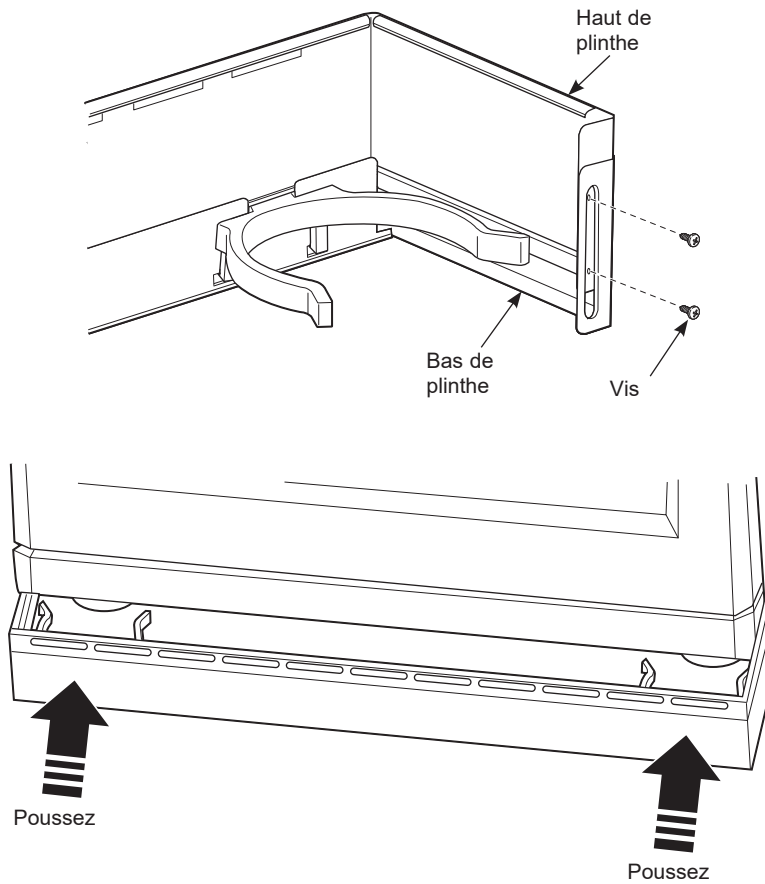
REMARQUE : La plaque signalétique est située dans le bas du panneau de commande et elle est visible depuis le dessous lorsque la porte du four est ouverte. Les numéros de modèle et de série se trouvent derrière le bouton gauche et ils sont visibles lorsque ce bouton est enlevé.

Installation

ACCESSOIRES—PLINTHE (certains modèles)

- Installez la plinthe après avoir ajusté la position de la cuisinière.
- Mesurez la distance entre le sol et le bas de la cuisinière.
- Desserrez les deux vis sur chaque extrémité. Ajustez la hauteur de la plinthe en faisant coulisser les pièces supérieur et inférieur 1/8" de moins que la hauteur mesurée.
- Fixez les parties inférieure et supérieure en serrant les 2 vis sur chaque extrémité.
- Plaquez la plinthe contre le pied de la cuisinière jusqu'à ce que le clip s'encastre dans les pieds.

REMARQUE : Veillez à ce que la plinthe s'emboîte correctement dans le pied.



UX12B36PSS Installation d'accessoires

ACCESSOIRES EN OPTION—DOSSERET DE 30 CM (12") DE HAUTEUR

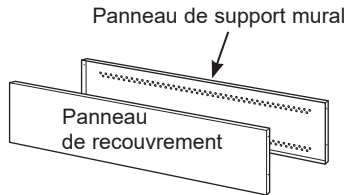
Ce kit permet l'installation d'un dossier de 12 po de hauteur pour les cuisinières et dessus de cuisinières professionnels de 36 po.

OUTILS ET MATÉRIEL NÉCESSAIRES

- Gants pour vous protéger des parties tranchantes
- Tournevis cruciforme 2 et T-15
- Percez avec des forets 23 mm (3/32") et 35 mm (9/64")
- Lunettes protectrices
- Niveau
- Crayon

Ce Kit comprend

- Panneau de support mural
- Panneau recouvrant
- Sachet de matériel contenant
 - 5 vis en acier inoxydable Torx 15 #8 auto-taraudeuses
 - 5 vis à bois à tête cylindrique #10 Phillips #2

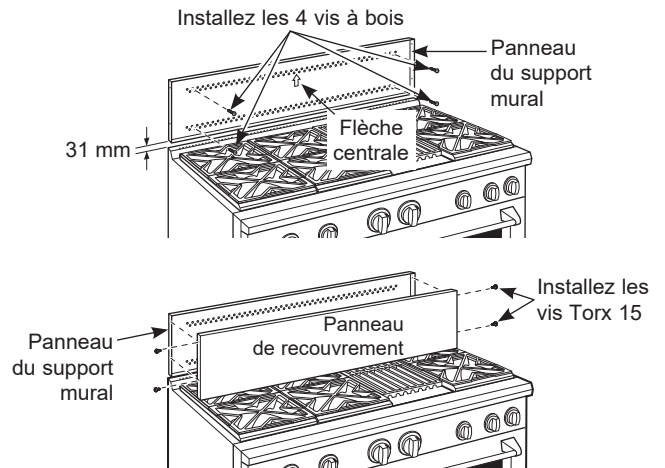


INSTALLEZ LE DOSSERET 30 CM (12")

⚠ AVERTISSEMENT

Ce dossier doit être correctement fixé au mur afin d'éviter toute blessure ou dommage matériel.

- Installez et ajustez la position de la cuisinière ou de la table de cuisson et de la hotte de la cuisinière, conformément aux consignes d'installation.
- Sortez le dossier de son emballage et le film protecteur.
- Utilisez un niveau pour dessiner au crayon une ligne horizontale sur le mur, 1/8" au-dessus de la cuisinière ou de la table de cuisson. L'espace de 1/8" fait que le panneau recouvrant se superpose au panneau de support mural.
- Localisez les poteaux muraux sur chaque côté. En l'absence de poteaux, utilisez plutôt des chevilles murales (non fournies).
- Alignez le panneau de support mural sur la ligne horizontale dessinée et centrée de gauche à droite.
- Le panneau de support mural doit être fixé au mur aux 4 coins. Utilisez des vis à bois (fournies) ou des chevilles murales (non fournies) pour fixer le panneau de support au mur.
- Placez le panneau de recouvrement sur le panneau du support mural et fixez à l'aide de vis Torx (fournies). Installez 2 vis de chaque côté.



UXADJB36PSS, UXADJB48PSS Installation d'accessoires

ACCESSOIRES—DOSSERET AJUSTABLE 30"-36" (non fourni)

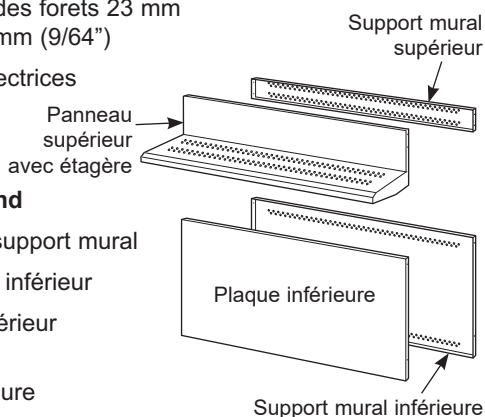
- Ce dossier est conçu combler l'espace entre le haut de la cuisinière et le bas de la hotte, entre une hauteur maximale de 76 cm et 91 cm.
- Le poids maximal de portance de l'étagère est de 18 kg.

OUTILS ET MATÉRIEL NÉCESSAIRES

- Gants pour vous protéger des parties tranchantes
- Tournevis cruciforme 2 et T-15
- Percez avec des forets 23 mm (3/32") et 35 mm (9/64")
- Lunettes protectrices
- Niveau
- Crayon

Ce Kit comprend

- Panneau de support mural
- Panneau mur inférieur
- Panneau supérieur avec étagère
- Plaque inférieure
- Sachet de matériel contenant
 - 9 vis autotaraudeuses à 6 lobes internes en acier inoxydable 15, no 8
 - 9 vis à tête cylindrique bombée no 2 pour bois no 10
 - 3 vis à tête bombée no 2 en acier inoxydable no 10 (pour une méthode d'installation alternative)



INSTALLEZ LES PANNEAUX DE SUPPORT MURAL

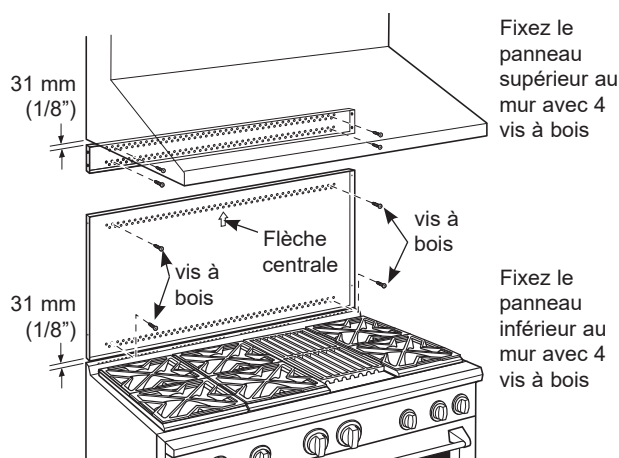
⚠ AVERTISSEMENT

Les panneaux de support mural doivent être correctement fixés au mur afin d'éviter toute blessure ou dommage matériel.

IMPORTANT : Ce dossier est conçu pour couvrir le mur entre la partie supérieure de la cuisinière et la partie inférieure de la hotte. La hotte d'extraction doit être installée sur la table de cuisson ou de la cuisinière avant d'installer le dossier.

- Installez et ajustez la position de la table de cuisson/cuisinière conformément aux consignes d'installation.
- Retirez l'emballage du dossier et le film protecteur.
- Localisez les poteaux muraux sur chaque côté. En l'absence de poteaux, utilisez plutôt des chevilles murales (non fournies).
- Utilisez un niveau pour tracer au crayon 2 lignes horizontales sur le mur, une à 1/8" sous la hotte d'extraction et l'autre à 1/8" au-dessus de la table de cuisson/cuisinière. Cet espace de 1/8" fait que le panneau de recouvrement se superpose aux supports muraux.
- Fixez le panneau mural supérieur au mur à l'aide de 4 vis à bois, à travers les poteaux externes.
- Utilisez 4 vis à bois pour fixer support mural inférieur. La rainure centrale doit être placée en haut.

L'espace séparant le panneau de support du bas de celui du haut sera comblé par la plaque supérieur avec étagère.

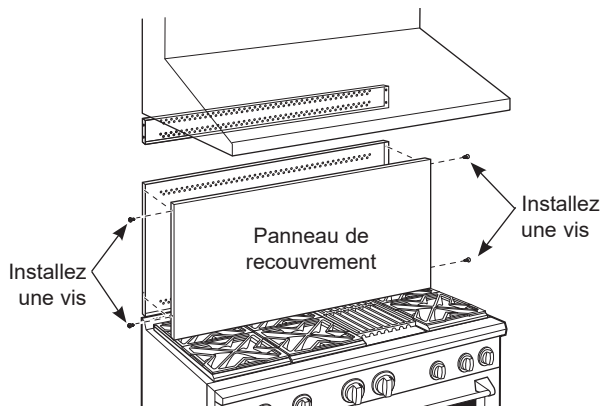


UXADJB36PSS, UXADJB48PSS Installation d'accessoires

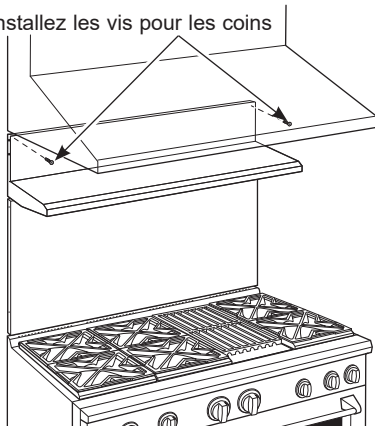
INSTALLEZ LES PANNEAUX DE RECOUVREMENT

Optez pour la méthode alternative si l'accès latéral est bloqué.

- Maintenez la plaque inférieure sur le support tout en vissant une vis (fournie) de chaque côté.
- Placez la plaque supérieure avec l'étagère en place sur le support mural supérieur. Si vous pouvez accéder aux deux côtés, fixez le panneau avec deux vis sur chaque côté.
- Fixez la plaque supérieure avec l'étagère sur le support supérieur et fixez la plaque à l'aide de vis sur l'avant du panneau, sur les coins supérieurs. Utilisez une vis par côté.



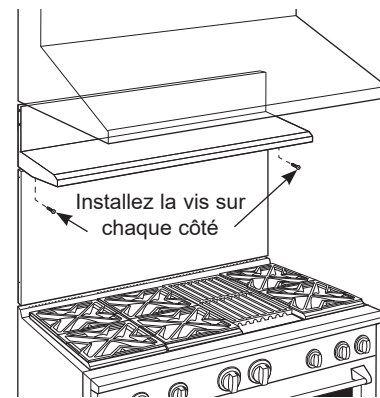
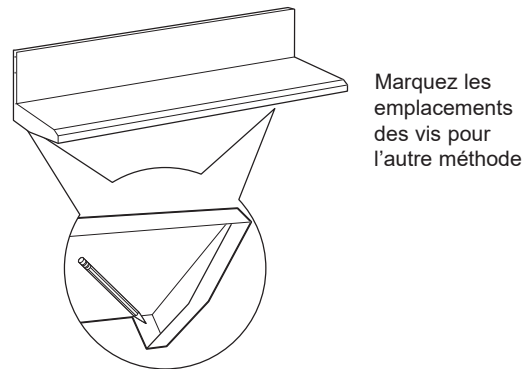
Installez les vis pour les coins



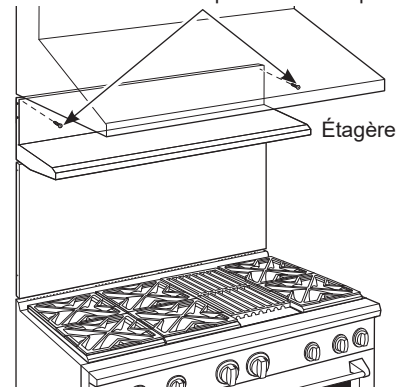
INSTALLEZ LES PANNEAUX DE RECOUVREMENT (suite)

MÉTHODE ALTERNATIVE : En cas d'obstruction de l'accès latéral

- Installez la plaque inférieure sur le support inférieur tout en vissant une vis de chaque côté.
- Maintenez la plaque supérieure en place tout en marquant les emplacements des vis, juste en dessous de l'étagère de support et sur la plaque inférieure.
- Retirez l'étagère et percez un trou de 0,35 cm (9/64") de diamètre dans les emplacements tracés au crayon.
- Montez la plaque supérieure sur le support supérieur et fixez la plaque à l'aide de vis dans les trous percés sur chaque côté.
- Installez les vis à travers chaque coin supérieur.



Installez la vis sur le coin supérieur de chaque côté



Instructions d'installation

Conversion au propane (LP) ou au gaz naturel

⚠ AVERTISSEMENT Risque d'explosion

La mort ou des blessures graves peuvent résulter de l'omission d'observer ces instructions.

- Seul un technicien qualifié doit effectuer les réparations.
- Coupez l'alimentation en gaz et électrique avant de procéder à une réparation.
- Reconnectez tous les dispositifs de mise à la terre après une réparation.
- Remplacez toutes les pièces et les panneaux avant l'utilisation.

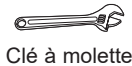
Les orifices du régulateur de pression et du brûleur sont préparés soit pour le gaz naturel, soit pour le propane (LP), selon le numéro de modèle. Pour convertir vers un gaz différent de celui déterminé à l'usine pour le régulateur de pression (gaz naturel ou propane[LP]), les orifices du régulateur et du brûleur doivent être changés.

⚠ AVERTISSEMENT N'utilisez pas la table de cuisson ou les brûleurs du four de cette cuisinière avant de changer les orifices du régulateur de pression et du brûleur en fonction du gaz qui sera utilisé. L'omission de procéder ainsi peut engendrer des flammes hautes et des vapeurs toxiques pouvant causer des blessures graves.

OUTILS DONT VOUS AUREZ BESOIN POUR LA CONVERSION



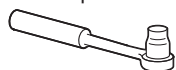
Lunettes protectrices



Clé à molette



Clé ouverte de 7/16 po (11,1 mm)



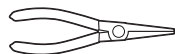
Clé à douille 1/2" (12,7 mm)



Petit tournevis à tête plate (pointe de 2 à 2,4 mm ou 3/32", 60 mm de longueur)



Tournevis à douille 7 mm et 1/4"



Petites pinces

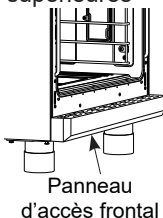


Tournevis cruciforme

1 SUPPORT D'ORIFICE

Le support d'orifice de la cuisinière est situé sur le panneau d'accès frontal et au fond de la cuisinière. Retirez les portes (voyez les instructions à la page 10) et les vis supérieures et inférieures du panneau d'accès frontal. Retirez le panneau frontal pour accéder au support d'orifice.

Des orifices additionnels peuvent être présents. Utilisez uniquement les orifices mentionnés aux instructions pour votre cuisinière ou plaque de cuisson.

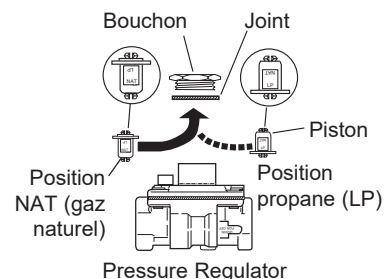


2 CONVERTIR LE RÉGULATEUR

Débranchez l'électricité sur le disjoncteur ou la boîte à fusible du circuit principal.

- Coupez le gaz en fermant le robinet de fermeture sur l'appareil ou le mur.
- Déplacez la cuisinière de manière à pouvoir accéder à l'arrière de l'appareil.
- Enlevez le panneau arrière pour pouvoir accéder aux régulateurs - (1) sur les cuisinières de 76 et 91 cm (30 et 36 po) et (2) cuisinières de 121 cm (48 po).
- Convertissez le régulateur de pression:

- Dévissez le bouchon avec la ventouse.
- Placez votre doigt contre la partie plate du piston et appuyez pour sortir la ventouse du bouchon.
- Observez attentivement le piston pour repérer la position gaz naturel (NAT) ou propane (LP).
- Retournez le piston de sorte que le type de gaz souhaité apparaisse à côté du bas.



- Remplacez le piston dans le bouchon.
- Vissez le bouchon sur le régulateur.

- Inversez ces étapes pour réassembler le régulateur de pression.

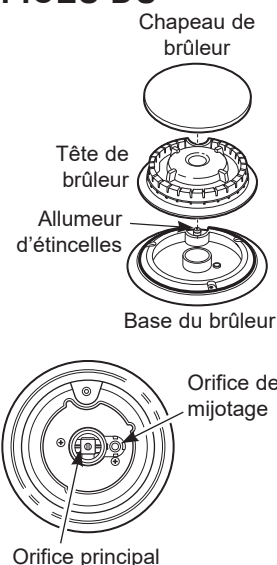
3 CHANGEZ LES ORIFICES DU BRÛLEUR

CONSEIL D'INSTALLATION :

Commencez par retirer tous Orifices, puis remplacez-les. Vous éviterez ainsi tout oubli.

- Retirez les grilles du brûleur, les chapeaux et les têtes.
- Desserrez les orifices du brûleur du haut à l'aide d'un tournevis à douille 7 mm. Utilisez de petites pinces pour soulever les orifices délicatement.

L'orifice principal est situé assez bas au centre du brûleur, tandis que l'orifice de mijotage est placé plus haut dans le centre du brûleur.

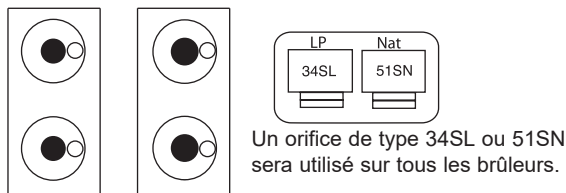


Consignes d'installation pour la conversion de gaz

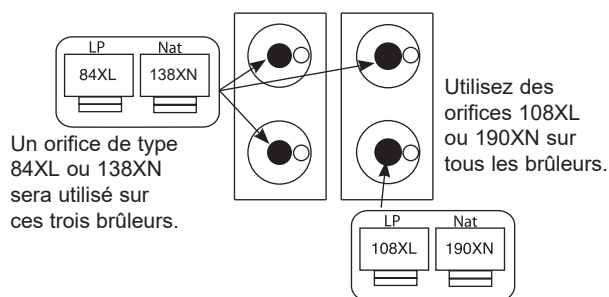
3 CHANGEZ L'ORIFICE DU GRILL (suite)

IMPORTANT : Veuillez trouver le numéro de modèle ci-dessous. Lisez chacune des étiquettes des orifices afin de les identifier et de les placer dans les emplacements indiqués.

Modèles de 30 po (76 cm) - ORIFICES DE MIJOTAGE

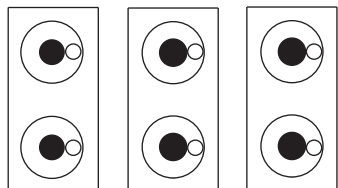
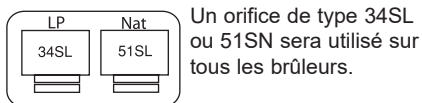


Modèles de 30 po (76 cm) - ORIFICES PRINCIPAUX



Modèles de 36 po (91 cm) et 48 po (122 cm)

ORIFICES DE MIJOTAGE

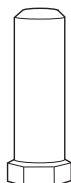


ORIFICES PRINCIPAUX

- Remplacez les orifices non utilisés sur le support. Fixez le support à nouveau et la fiche d'instruction avec la vis dans le lieu de rangement d'origine.
- Remplacez les têtes des brûleurs, les chapeaux et les grilles supérieures. Sur les cuisinières, remplacez la plaque d'aération arrière.

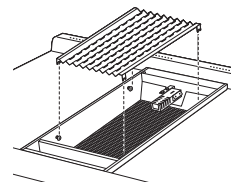
4 CHANGEZ L'ORIFICE DU GRILL (si installé)

Localisez l'orifice du grill d'une longueur de 1-1/2" (4 cm). Sélectionnez le type de gaz.



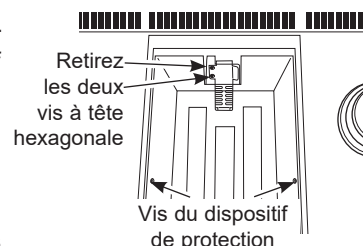
4 CHANGEZ L'ORIFICE DU GRILL (suite)

- Retirez le couvercle du grill, les grilles et le cadre. Enlevez le déflecteur de rayonnement.
- Retirez les 2 vis à tête hexagonale du haut de l'allumeur.



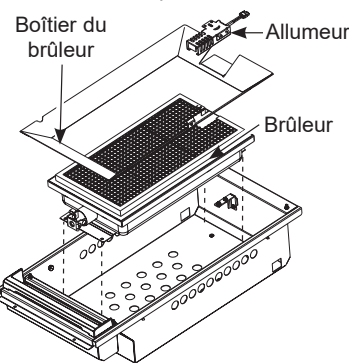
- Retirez 1 vis de chaque côté du dispositif de protection du brûleur.

- Soulevez le dispositif de protection.



- Poussez avec précaution sur l'allumeur sur le côté et sous le brûleur. Ne tirez ou ne coincez pas le câble.

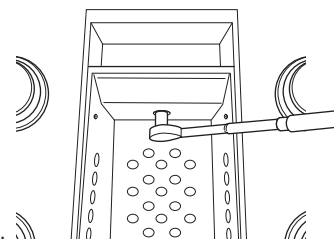
Retirez les 4 vis de fixation du brûleur, 2 à l'avant et 2 autres à l'arrière. Faites glisser le brûleur vers l'arrière et à l'extérieur de l'arrivée du gaz.



- Utilisez une clé à douille 1/2" pour retirer et réinstaller l'orifice.

Inversez la procédure pour remonter le grill. Assurez-vous de placer l'orifice non utilisé sur le support pour pouvoir l'utiliser ultérieurement.

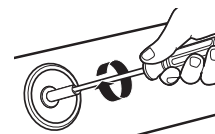
Partie avant de la cuisinière



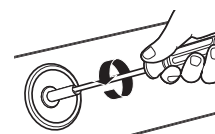
- Ajustez le réglage Grill "LO" (feu doux)

- Assurez-vous que l'alimentation en gaz et en électricité à l'appareil est coupée.
- Tournez le bouton du grill à la position LO (feu doux) puis retirez-le en tirant en ligne droite.
- Insérez un petit tournevis à tête plate dans le trou au centre du piston de la vanne pour engager la vis.

- Pour convertir le réglage LO (feu doux) de gaz naturel à propane (LP), tournez la vis dans le sens des aiguilles d'une montre jusqu'au bout (environ 3/4 de tour). Il peut s'avérer nécessaire d'immobiliser l'extérieur du piston de vanne à l'aide d'une pince pour l'empêcher de tourner lors de l'ajustement de la vis.



- Pour convertir le réglage LO (feu doux) de propane (LP) à gaz naturel, tournez la vis dans le sens contraire des aiguilles d'une montre sur environ 3/4 de tour.



Consignes d'installation pour la conversion de gaz

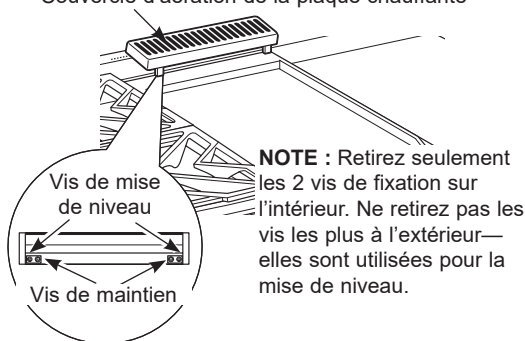
5 CHANGEZ L'ORIFICE DE LA PLAQUE CHAUFFANTE (si installé)

Saisissez-vous de l'orifice de la plaque chauffante de (19 mm) 3/4" longueur. Sélectionnez le type de gaz.



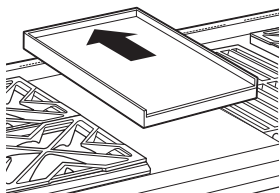
- A. Soulevez le couvercle d'aération de la plaque chauffante. Retirez les 2 vis intérieures de fixation.

Couvercle d'aération de la plaque chauffante

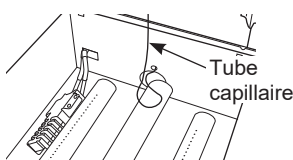


NOTE : Retirez seulement les 2 vis de fixation sur l'intérieur. Ne retirez pas les vis les plus à l'extérieur—elles sont utilisées pour la mise de niveau.

- B. Soulevez les lèchefrites en fonte. Faites glisser la plaque chauffante vers l'arrière et hors des languettes de maintien le long de la partie inférieure.



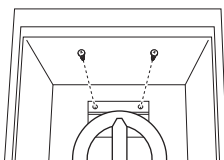
- C. Soulevez délicatement la plaque chauffante tout en maintenant. Tirez la longueur excédentaire de tube capillaire par le trou d'entrée. Posez la plaque chauffante debout sur la lèchefrite.



- D. Retirez les 2 vis de maintien à l'arrière du brûleur.

Tirez le brûleur directement vers l'arrière et détachez-le de l'arrivée du gaz.

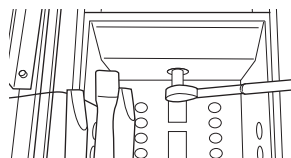
Arrière de la cuisinière



- E. Utilisez une clé à douille d'1/2 po pour retirer et réinstaller l'orifice.

Inversez la procédure pour remonter la plaque chauffante. Repoussez la longueur excédentaire de tube capillaire dans le trou d'entrée. Placez l'orifice non utilisé sur le possible pour une possible utilisation ultérieure.

Avant de la cuisinière

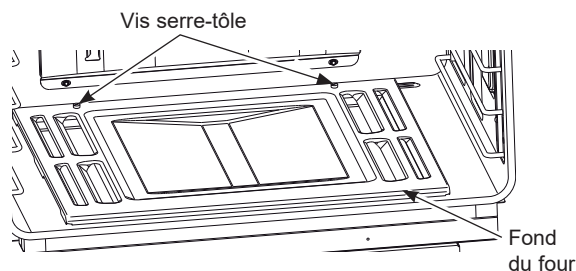


6A REMPLACEMENT DU BRÛLEUR DE CUISSON DU FOUR LATÉRAL

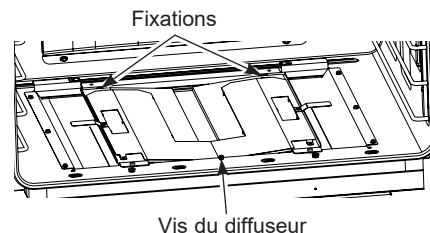
Repérez l'orifice de 19 mm (3/4 po) de long du brûleur de cuisson du four.

Choisissez la dimension d'orifice adéquate selon votre type de gaz et de brûleur au diagramme de conversion.

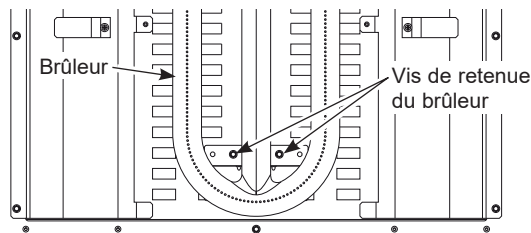
- A. Retirez la porte du four et placez-la dans un endroit sûr.
B. Retirez les deux fonds du four fixés à l'aide de vis et situés à l'arrière du panneau.



- C. Glissez le fond du four vers l'avant puis déposez-le tout près.
D. Retirez la vis du diffuseur de brûleur.



- E. Soulevez légèrement la partie frontale du diffuseur du brûleur et glissez-le vers l'avant pour déclencher les fixations arrière. Mettez le diffuseur de côté.

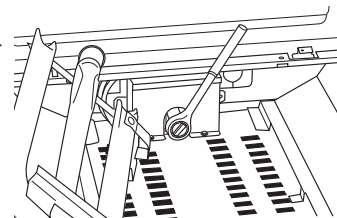


- F. Retirez les trois vis de retenue du brûleur (1 à l'avant et deux à l'arrière).

- G. Soulevez légèrement la partie frontale du brûleur et glissez-le vers la gauche pour le retirer.

- H. Utilisez une douille profonde de 12,7 mm (1/2 po) pour retirer et replacer l'orifice.

- I. Inversez l'ordre de ces étapes pour réassembler le brûleur du four et les autres pièces. Placez l'orifice inutilisé dans le support pour une utilisation future.



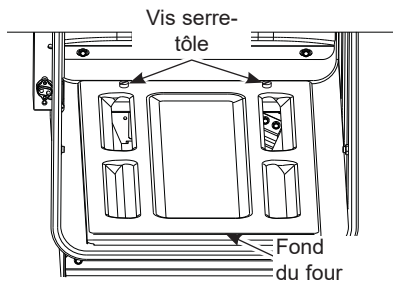
Consignes d'installation pour la conversion de gaz

6B REMPLACEMENT DU BRÛLEUR DE CUISSON DU FOUR LATÉRAL (si présent)

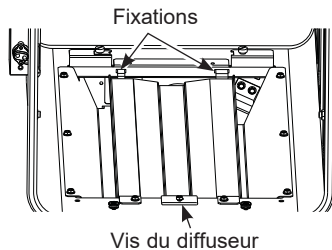
Repérez l'orifice de 19 mm (3/4 po) de long du brûleur de cuisson du four.

Choisissez la dimension d'orifice adéquate selon votre type de gaz et de brûleur au diagramme de conversion.

- A. Repérez l'orifice de 19 mm (3/4 po) de long du brûleur de cuisson du four.
- B. Retirez la porte du four et placez-la dans un endroit sûr.



- C. Glissez le fond du four vers l'avant puis déposez-le tout près.
- D. Retirez la vis du diffuseur de brûleur.



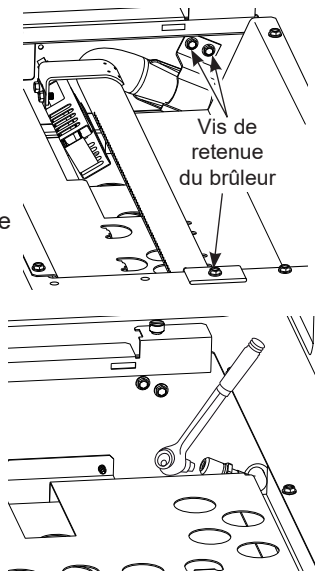
- E. Soulevez légèrement la partie frontale du diffuseur du brûleur et glissez-le vers l'avant pour déclencher les fixations arrière. Mettez le diffuseur de côté.

- F. Retirez les trois vis de retenue du brûleur (1 à l'avant et deux à l'arrière).

- G. Soulevez légèrement la partie frontale du brûleur et glissez-le vers la gauche pour le retirer.

- H. Utilisez une douille profonde de 12,7 mm (1/2 po) pour retirer et replacer l'orifice.

- I. Inversez l'ordre de ces étapes pour réassembler le brûleur du four et les autres pièces. Placez l'orifice inutilisé dans le support pour une utilisation future.



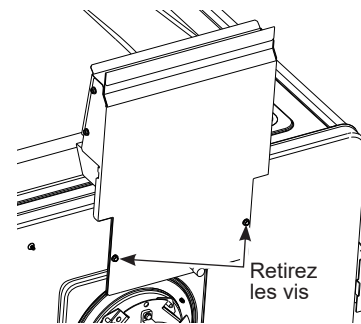
7 REMPLACEMENT DE L'ORIFICE DU BRÛLEUR DE CUISSON DU FOUR LATÉRAL

Repérez l'orifice brûleur de cuisson du four.

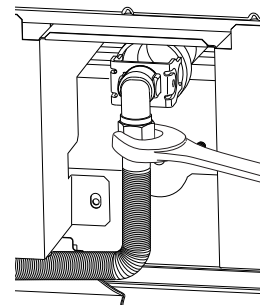
Choisissez la dimension d'orifice adéquate selon votre type de gaz et de brûleur au diagramme de conversion.

Le panneau arrière doit être retiré des régulateurs de conversion. Consultez l'article 2 pour obtenir tous les détails si celui-ci est toujours en place.

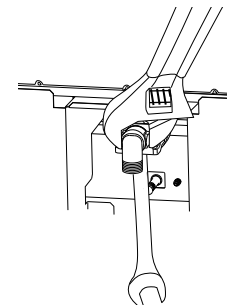
- A. Retirez les deux vis de retenue du couvercle de conduit du gril



- B. Dévissez et retirez l'écrou du tube d'alimentation du gril situé sur le support d'orifice du gril.



- C. Utilisez une clé à ouverture variable et une douille de 11 mm (7/16 po) pour dévisser, retirer et replacer l'orifice du gril.

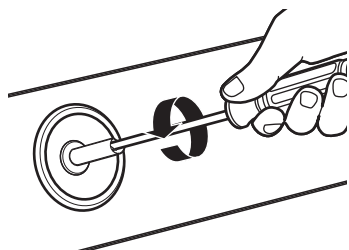


- D. Inversez l'ordre de ces étapes pour réassembler le brûleur du four. Placez l'orifice inutilisé dans le support pour une utilisation future.

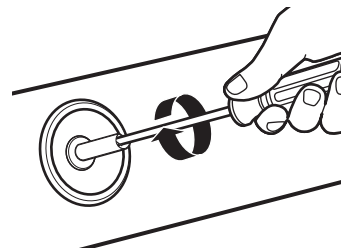
Consignes d'installation pour la conversion de gaz

8 RÉGLAGE DES SOUPAPES DE BRÛLEUR SUPÉRIEURES

- A. Allumez le gaz. Branchez le cordon d'alimentation.
- B. Réglez les flammes de la rangée supérieure de chaque brûleur pour le propane (LP) de la façon suivante. Retirez le bouton en le tirant en ligne droite. Insérez un petit tournevis à lame plate dans le trou au centre de la tige de soupape pour accéder à la vis.



S'il s'agit d'une conversion vers le propane (LP), tournez la vis dans le sens des aiguilles jusqu'à ce qu'elle s'arrête (environ 3/4 de tour). Répétez pour chaque soupape.



S'il s'agit d'une conversion vers le gaz naturel, tournez la vis dans le sens contraire des aiguilles sur environ 1/2 tour. Répétez pour chaque soupape.

- C. Remplacez les boutons. Allumez les brûleurs au maximum et vérifiez les flammes. Elles devraient être bleues. Si vous utilisez du propane (LP), la pointe de flammes devrait être jaune. La présence d'objets étrangers dans le tuyau d'alimentation en gaz devraient donner une couleur orange à la flamme au début. L'orange disparaît par la suite.
- D. Tournez le bouton du brûleur sur "LO" (feu doux) tout en observant la flamme. Les flammes devraient être stables sans vacillement.

PUISSANCES NOMINALES DE SORTIE DU BRÛLEUR : BTU/HR

Gaz naturel, avec P.C. de 12,7 cm (5 po)					
MODÈLE	BRÛLEUR		PUISSANCE BTU	DIMENSION ORIFICE	ID
48" 36"	BRÛLEURS TOUTES SURFACES	Princ.	16,800	0.075" (1.90mm)	190XN
		Mijoter	1,200	0.002" (0.51mm)	51SL
30"	BRÛLEUR AD	Princ.	16,800	0.075" (1.90mm)	190XN
		Mijoter	1,200	0.002" (0.51mm)	51SN
30"	AD, GD, AG	Princ.	8,800	0.050" (1.26mm)	126HXN
		Mijoter	1,200	0.002" (0.51mm)	51SN
ALL	FOUR		15,000	0.0689" (1.75mm)	0.069
ALL	TABLE DE CUISSON		18,000	0.076" (1.93mm)	0.076
48" 36"	CUISSON - PRINCIPAL		24,500	0.0886" (2.25mm)	0.089
30"	CUISSON - PRINCIPAL		23,500	0.0866" (2.20mm)	0.087
48"	CUISSON - FOUR LATÉRAL		10,500	0.0531" (1.35mm)	0.053
ALL	GRIL PRINCIPAL		12,500	0.063" (1.60mm)	160
48"	GRIL - FOUR LATÉRAL		9,000	0.052" (1.32mm)	132

Gaz propane (LP), avec P.C. de 25,5 cm (10 po)					
MODÈLE	BRÛLEUR		PUISSANCE BTU	DIMENSION ORIFICE	ID
48" 36"	BRÛLEURS TOUTES SURFACES	Princ.	13,800	0.043" (1,08mm)	108XL
		Mijoter	1,200	0.013" (0,34mm)	34SL
30"	BRÛLEUR AD	Princ.	13,800	0.043" (1,08mm)	108XL
		Mijoter	1,200	0.013" (0,34mm)	34SL
30"	AD, GD, AG	Princ.	7,900	0.033" (0,84mm)	84XL
		Mijoter	1,200	0.013" (0,34mm)	34SL
ALL	FOUR		14,000	0.047" (1,19mm)	0.047
ALL	TABLE DE CUISSON		16,000	0.047" (1,19mm)	0.047
48" 36"	CUISSON - PRINCIPAL		23,000	0.055" (1,397mm)	0.055
30"	CUISSON - PRINCIPAL		21,500	0.0531" (1,35mm)	0.053
48"	CUISSON - FOUR LATÉRAL		10,000	0.0374" (0,95mm)	0.037
ALL	GRIL PRINCIPAL		11,500	0.041" (1,04mm)	104
48"	GRIL - FOUR LATÉRAL		9,000	0.0360" (0,91mm)	91

Une fois la conversion terminée et vérifiée, remplissez l'étiquette de conversion et placez-la à côté de l'étiquette signalétique. Pour les cuisinières, placez l'étiquette sous le panneau de commande. Pour les tables de cuisson, placez l'étiquette au bas de l'appareil.

Notes

REMARQUE : Il est recommandé de porter des lunettes de sécurité ou des lunettes étanches lors de l'installation de cet appareil.

REMARQUE : Au sein de GE Appliances, nous nous efforçons toujours d'améliorer nos produits. Ainsi, les matériaux, l'aspect et les spécifications peuvent être modifiés sans préavis.

INSTRUCCIONES DE INSTALACIÓN

**Estufas profesionales completamente
a gas de 30", 36" y 48"**

Información de Seguridad

¿Preguntas? Llame a GE Appliances al 800.GE.CARES (800.432.2737) o visita www.GEAppliances.com. En Canadá, llame 1.800.561.3344 o visita www.GEAppliances.ca.

EN EL COMMONWEALTH DE MASSACHUSETTS

- Este producto debe ser instalado por un plomero licenciado o un mecánico gasista.
- Al usar un conector de gas flexible no deberá exceder los 5 pies.
- Al usar válvulas de cierre de gas tipo balón, deberán ser del tipo de manija T.

⚠ ADVERTENCIA RIESGO DE INCENDIO O EXPLOSIÓN

Si la información de este manual no se sigue exactamente, se podrá producir un incendio o explosión, ocasionando daños sobre la propiedad, lesiones o la muerte.

La instalación deberán ser realizadas por un instalador calificado.

Lea estas instrucciones en su totalidad y atentamente.

Esta cocina se deberá instalar de acuerdo con los códigos locales, o en la ausencia de códigos locales, con el Código de Gas Combustible Nacional, ANSI Z223.1/NFPA.54, última edición. En Canadá, la instalación deberá ser conforme con el Código de Instalación de Gas Natural actual, CAN/CGA-B149.1 o el Código de Instalación de Propano actual, CAN/CGA-B149.2, y con los códigos locales cuando corresponda. Esta cocina fue diseñada y certificada por CSA International, de acuerdo con ANSI Z21.1, última edición y con la Canadian Gas Association (Asociación de Gas de Canadá) CAN/CGA-1.1 última edición.

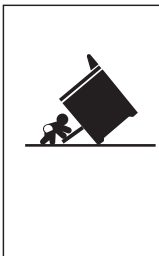
Al instalar un electrodoméstico a gas, el uso de conectores flexibles viejos puede ocasionar pérdidas y lesiones personales. Siempre use un conector flexible NUEVO.

La prueba de goteras del electrodoméstico se deberá realizar de acuerdo con las instrucciones del fabricante.

La cocina deberá estar correctamente conectada a tierra de acuerdo con los códigos y ordenanzas locales o, en ausencia de códigos locales, de acuerdo con el Código Nacional de Electricidad (National Electric Code), (ANSI/NFPA NO. 70., última edición). En Canadá, la conexión a tierra se deberá realizar de acuerdo con la Parte 1 del Código de Electricidad de Canadá CSA C22.1 y/o los códigos locales. En esta sección, consulte las Conexiones Eléctricas

No instale este producto con una campana con cortina de aire u otra campana de cocina que funcione llevando aire a la placa de cocción. El flujo de aire podrá interferir en el funcionamiento de los quemadores de gas, produciendo riesgos de incendio o explosión.

PARA SU SEGURIDAD

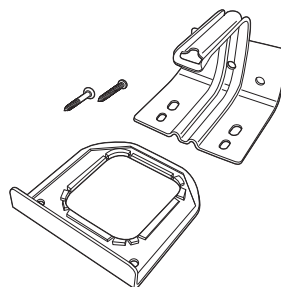


⚠ ADVERTENCIA

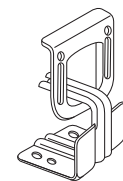
Riesgo de Caída

- Un niño o adulto pueden volcar la cocina y morir.
- Instale el soporte anti-volcaduras sobre la pared o el piso.
- Asegúrese la estufa al soporte anti-volcaduras deslizando la unidad hacia atrás de tal manera que la pata niveladora sea enganchada.
- Vuelva a adherir el soporte anti-volcaduras si la estufa se mueve de lugar.
- Si esto no se hace, se podrá producir la muerte o quemaduras graves en niños o adultos.

Si no recibió un soporte anti volcaduras con su compra, llame al 1.800.626.8774 para recibir uno sin costo. (En Canadá, llame al 1.800.561.3344). Para recibir instrucciones de instalación del soporte, visite: GEAppliances.com (En Canadá, GEAppliances.ca).



Kit de soporte anti-volcaduras incluido



Vista Trasera

⚠ ADVERTENCIA

Antes de comenzar la instalación, apague el encendido en el panel de servicio y bloquee el medio de desconexión del servicio a fin de evitar que el encendido se active de forma accidental. Cuando el medio de desconexión del servicio no se pueda bloquear, ajuste de manera segura un ítem de advertencia que esté bien visible, tal como una etiqueta, sobre el panel de servicio.

READ AND SAVE THESE INSTRUCTIONS

Información de Seguridad

ANTES DE COMENZAR

Lea estas instrucciones por completo y con detenimiento.

- **IMPORTANTE** — Conserve estas instrucciones para uso del inspector de electricidad local.
- **IMPORTANTE** — Cumpla con todos los códigos y ordenanzas gubernamentales.
- **IMPORTANTE** — Retire todo el material de embalaje y material escrito del horno antes de conectar el gas y el suministro de corriente a la cocina.
- **IMPORTANTE** — A fin de evitar daños en los gabinetes, controle con su constructor o proveedor de gabinetes que los materiales usados no descolorarán, deslaminarán ni sostendrán otro daño. Este horno fue diseñado de acuerdo con los requisitos de UL y CSA International y cumple con las temperaturas máximas permitidas para gabinetes de madera de 194° F (90° C).
- **Nota para el Instalador** — Asegúrese de que estas instrucciones queden en manos del comprador.
- **Nota para el Consumidor** — Guarde estas instrucciones para referencia futura.
- **Servicio Técnico** — El diagrama eléctrico se encuentra en un sobre adjunto al reverso de la cocina.
- La correcta instalación del producto es responsabilidad del instalador.
- Si se producen fallas en el producto debido a una instalación inadecuada, la Garantía no cubrirá las mismas.
- Antes de instalar su cocina sobre linóleo y cualquier otro revestimiento de piso sintético, asegúrese de que el revestimiento del piso resista los 180° F sin contraerse, combarse o descolorarse. No instale la cocina sobre alfombras, a menos que haya una hoja de contrachapado de un grosor de ¼" o un aislante similar entre la cocina y la alfombra.
- Para servicio técnico local Monogram en su área, 1.800.444.1845.
- Para servicio técnico Monogram en Canadá, llame al 1.800.561.3344.
- Para Piezas y accesorios Monogram, llame al 1.800.626.2002.
- Si ha recibido una cocina dañada, usted debe comunicarse con su vendedor.

SI ESTE PRODUCTO ES PARA SER USADO FUERA DE LOS EE.UU. O CANADÁ

▲ ADVERTENCIA Si desea utilizar este producto con gas Líquido de Propano (LP) que contiene más de 10% de butano, debe comprar el paquete de conversión para gas butano #WB28K10589. Para pedir, llame al 1.888.664.8403 o 1.787.276.4051. No hacerlo puede provocar un peligro de monóxido de carbono o de incendio.

COMBINACIONES DE CAPUCHAS DE VENTILACIÓN

Se requiere una campana superior de ventilación adecuada para los modelos con parrilla y también se recomienda para todo los demás modelos.

Debido a la elevada capacidad de calor de esta unidad, debe prestarse especial atención a la instalación de la capucha y de la red de conductos para garantizar que cumpla con los códigos de construcción locales.

Distancias respecto de superficies horizontales sobre la cocina, medidas en relación a la superficie de cocción. No cumplir con esto puede provocar un peligro de incendio.

- Las instalaciones sin capucha requieren un mínimo de 48" respecto de elementos combustibles.
- Una instalación de capucha a medida con superficies expuestas horizontales combustibles debe contar con una función de encendido automático.
- Para otras instalaciones con una capucha, consulte las instrucciones de instalación de capuchas sobre espacios específicos para capuchas.

▲ PRECAUCIÓN Estas cocinas pesan hasta 700 libras. Desmontar algunos elementos reducen su peso en forma considerable. Debido al peso y tamaño de la cocina y para reducir el riesgo de lesiones personales o daños al producto:

SE REQUIEREN DOS PERSONAS PARA UNA INSTALACIÓN ADECUADA DE LAS COCINAS DE 36" Y 30".

SE REQUIEREN TRES PERSONAS PARA UNA INSTALACIÓN ADECUADA DE LAS COCINAS DE 48".

READ AND SAVE THESE INSTRUCTIONS

Contenidos

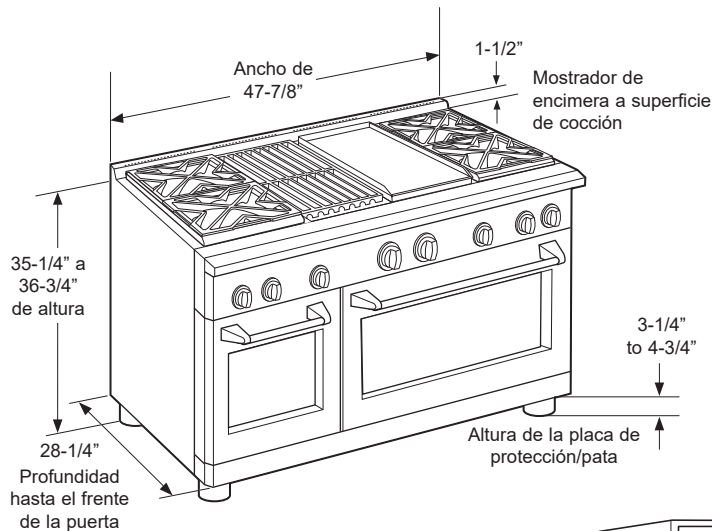
CONTENIDOS

Información de Seguridad	2	Instalación de accesorios UX12B36PSS	
Información de diseño		Herramientas y Materiales Requeridos.....	19
Dimensiones y Espacios del Producto.....	5	Instale el Salpicadero de 12".....	19
Información de instalación		Instalación de accesorios	
Kit Para Altitudes Elevadas WB28K10553.....	9	UXADJB36PSS, UXADJB48PSS	
Kit de Reducción WB28K10554.....	9	Herramientas y Materiales Requeridos.....	20
Materiales Provistos.....	9	Instale los Paneles de Soporte de Pared.....	20
Herramientas Requeridas.....	9	Instale los Paneles de Cubierta.....	21
Materiales Requeridos.....	9	Instrucciones de instalación	
Instalación		Conversión a Propano (LP) o a Gas Natural	
Quite el Empaque.....	10	Herramientas Necesarias Para la Conversión.....	22
Traslade la Cocina al Interior.....	11	Soporte de Orificios.....	22
Instale el Dispositivo Anti-Volcaduras.....	12	Convierta el Regulador.....	22
Conversión a Propano (LP) o a Gas Natural.....	13	Cambie los Orificios de los Quemadores.....	22
Suministro de Gas.....	13	Cambie el Orificio de la Parrilla.....	23
Conexiones Eléctricas.....	14	Cambie el Orificio de la Plancha.....	24
Coloque la Cocina en su Posición.....	14	Cambie el Orificio del Quemador de Hornear Principal.....	24
Nivele la Cocina.....	15	Cambie el Orificio del Quemador	
Reemplace las Puertas del Horno.....	15	de Hornear Acompañante.....	25
Controle los Quemadores.....	16	Cambie el Orificio del Quemador Asador	
Controle las Cabezas de los Quemadores.....	16	Principal/Acompañante.....	25
Revise la Operación de los Quemadores de		Ajuste a las Válvulas del Quemador Superior.....	26
Hornear del Horno.....	16	Calificaciones de Salida del Quemador: Btu/Hr.....	26
Cómo Ajustar el Quemador de Hornear en el Obturador.....	16		
Revise la Operación del Quemador del Asador del Horno.....	17		
Cuando Todas las Conexiones se Hayan Completado.....	17		
Finalice la Instalación.....	17		
Lista de Control de la Instalación.....	17		
Accesorios – Placa de Protección.....	18		

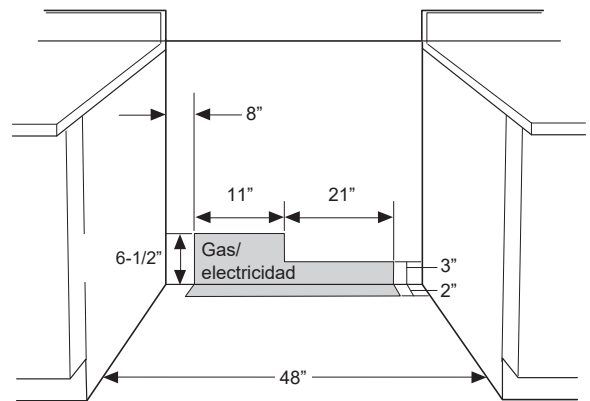
Información de diseño

DIMENSIONES Y ESPACIOS DEL PRODUCTO

Modelos de cocina de 48"



Ubicaciones de los servicios públicos



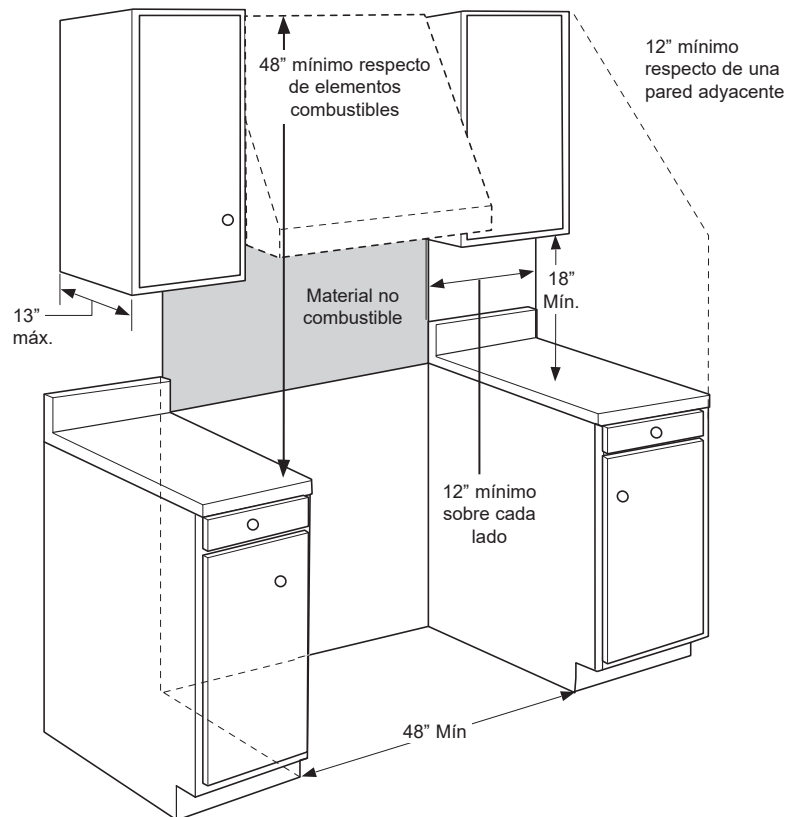
⚠ ADVERTENCIA

Las instalaciones sin capucha requieren un mínimo de 48" respecto de elementos combustibles. Una instalación de capucha a medida con superficies expuestas horizontales combustibles debe contar con una función de encendido automático. Consulte las instrucciones de instalación de la capucha para obtener espacios específicos de las capuchas.

La superficie de toda la pared trasera sobre la estufa y debajo de la campana deberá estar cubierta con material no combustible de cartón contracolado ignífugo de un grosor no inferior a 1/4" (6.4 mm) cubierto por una lámina de metal no inferior a MSG n° 28 (grosor de .015" [.38 mm]), grosor de acero inoxidable de .015" (.38 mm), aluminio de .025" (0.64 mm) o cobre de .020" (0.5 mm).

⚠ PRECAUCIÓN

Para evitar que una corriente de aire afecte el funcionamiento del quemador, selle todas las aberturas sobre el piso debajo del electrodoméstico y detrás de la pared del mismo.

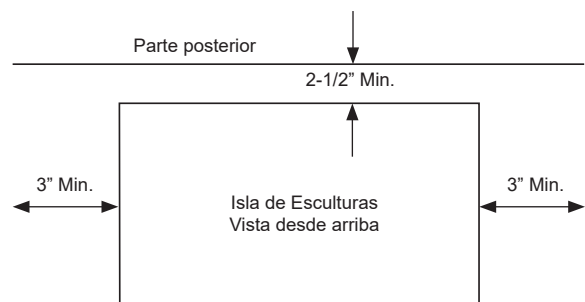


ESPACIOS ADICIONALES:

Deje un espacio mínimo de 12" respecto de una pared adyacente sobre cada lado.

Las áreas de trabajo adyacentes a la estufa deben contar con un espacio mínimo de 18" entre el mostrador de encimera y la parte inferior del gabinete de pared.

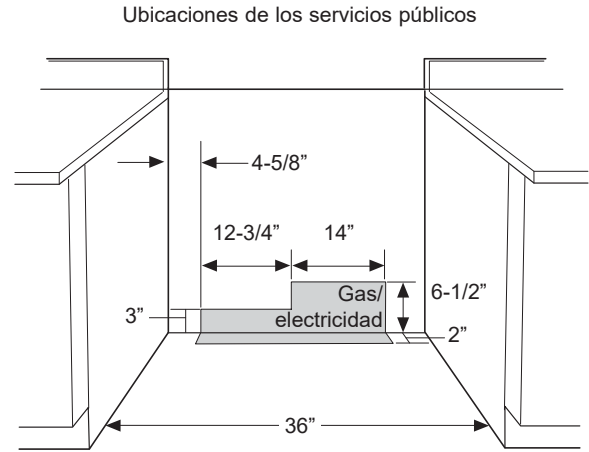
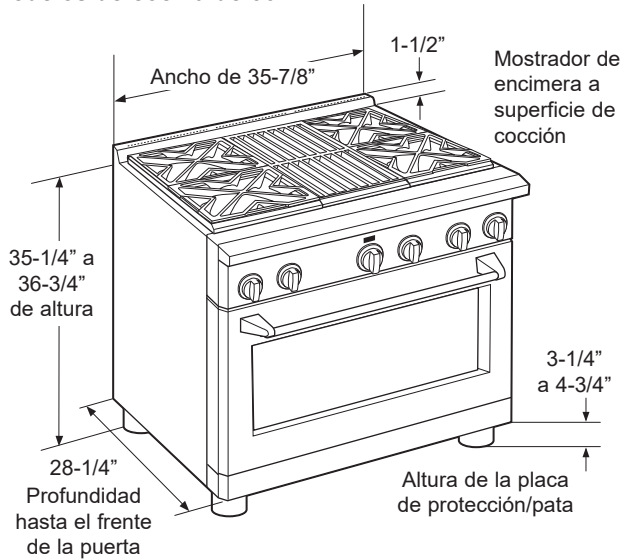
Para la instalación de la isla, deje un espacio mínimo de 2-1/2" entre la abertura y el extremo trasero de la mesada y un mínimo de 3" entre la abertura y los extremos laterales de la mesada (ver la vista superior).



Información de diseño

DIMENSIONES Y ESPACIOS DEL PRODUCTO

Modelos de cocina de 36"



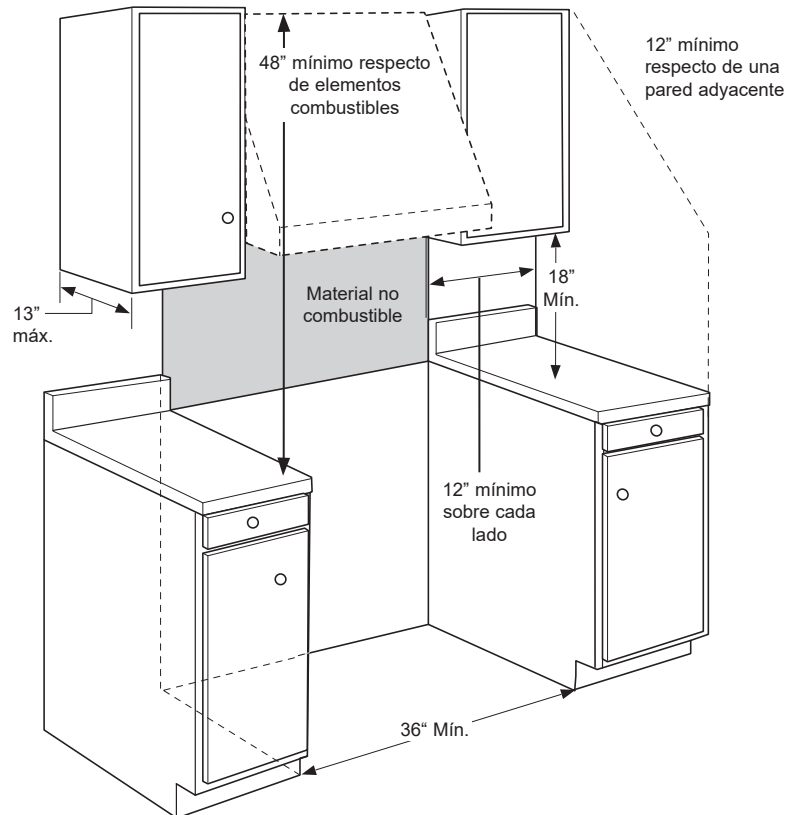
⚠️ ADVERTENCIA

Las instalaciones sin capucha requieren un mínimo de 48" respecto de elementos combustibles. Una instalación de capucha a medida con superficies expuestas horizontales combustibles debe contar con una función de encendido automático. Consulte las instrucciones de instalación de la capucha para obtener espacios específicos de las capuchas.

La superficie de toda la pared trasera sobre la estufa y debajo de la campana deberá estar cubierta con material no combustible de cartón contracolado ignífugo de un grosor no inferior a 1/4" (6.4 mm) cubierto por una lámina de metal no inferior a MSG n° 28 (grosor de .015" [.38 mm]), grosor de acero inoxidable de .015" (.38 mm), aluminio de .025" (0.64 mm) o cobre de .020" (0.5 mm).

⚠️ PRECAUCIÓN

Para evitar que una corriente de aire afecte el funcionamiento del quemador, selle todas las aberturas sobre el piso debajo del electrodoméstico y detrás de la pared del mismo.

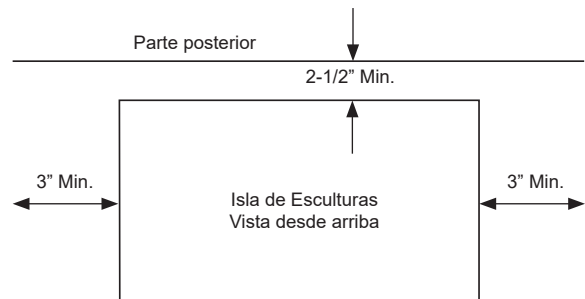


ESPACIOS ADICIONALES:

Deje un espacio mínimo de 12" respecto de una pared adyacente sobre cada lado.

Las áreas de trabajo adyacentes a la estufa deben contar con un espacio mínimo de 18" entre el mostrador de encimera y la parte inferior del gabinete de pared.

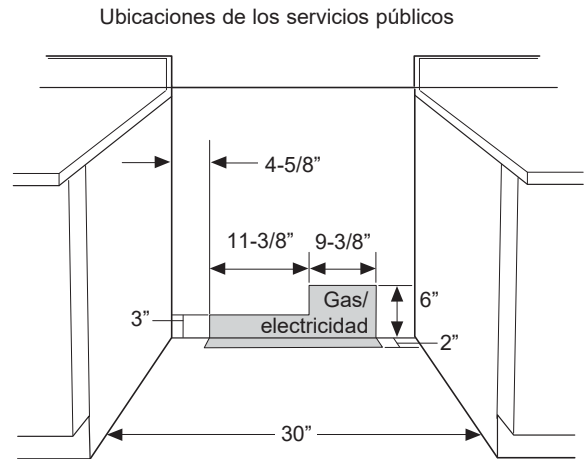
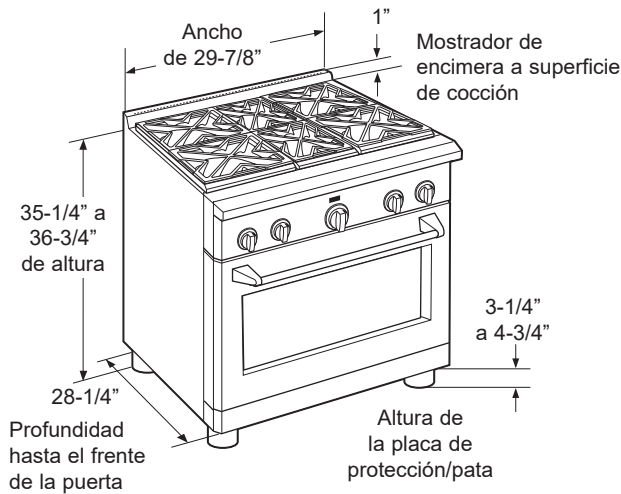
Para la instalación de la isla, deje un espacio mínimo de 2-1/2" entre la abertura y el extremo trasero de la mesada y un mínimo de 3" entre la abertura y los extremos laterales de la mesada (ver la vista superior).



Información de diseño

DIMENSIONES Y ESPACIOS DEL PRODUCTO

Modelos de cocina de 30" de ancho



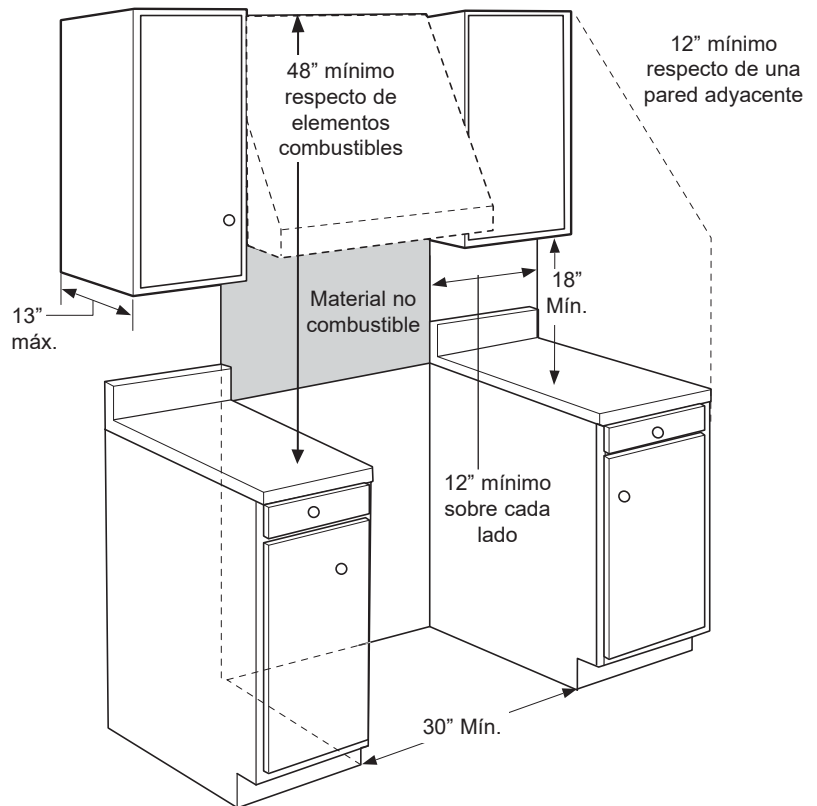
⚠️ ADVERTENCIA

Las instalaciones sin capucha requieren un mínimo de 48" respecto de elementos combustibles. Una instalación de capucha a medida con superficies expuestas horizontales combustibles debe contar con una función de encendido automático. Consulte las instrucciones de instalación de la capucha para obtener espacios específicos de las capuchas.

La superficie de toda la pared trasera sobre la estufa y debajo de la campana deberá estar cubierta con material no combustible de cartón contracolado ignífugo de un grosor no inferior a 1/4" (6.4 mm) cubierto por una lámina de metal no inferior a MSG n° 28 (grosor de .015" [.38 mm]), grosor de acero inoxidable de .015" (.38 mm), aluminio de .025" (0.64 mm) o cobre de .020" (0.5 mm).

⚠️ PRECAUCIÓN

Para evitar que una corriente de aire afecte el funcionamiento del quemador, selle todas las aberturas sobre el piso debajo del electrodoméstico y detrás de la pared del mismo.

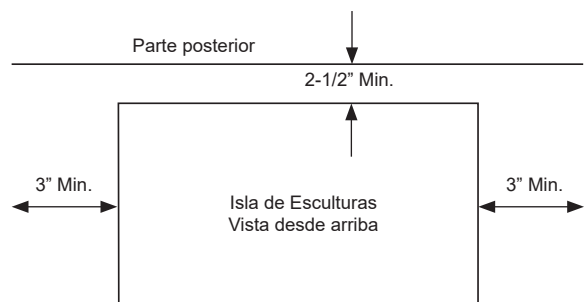


ESPACIOS ADICIONALES:

Deje un espacio mínimo de 12" respecto de una pared adyacente sobre cada lado.

Las áreas de trabajo adyacentes a la estufa deben contar con un espacio mínimo de 18" entre el mostrador de encimera y la parte inferior del gabinete de pared.

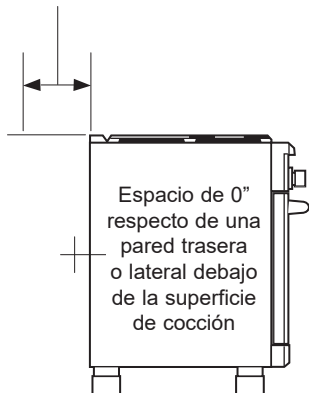
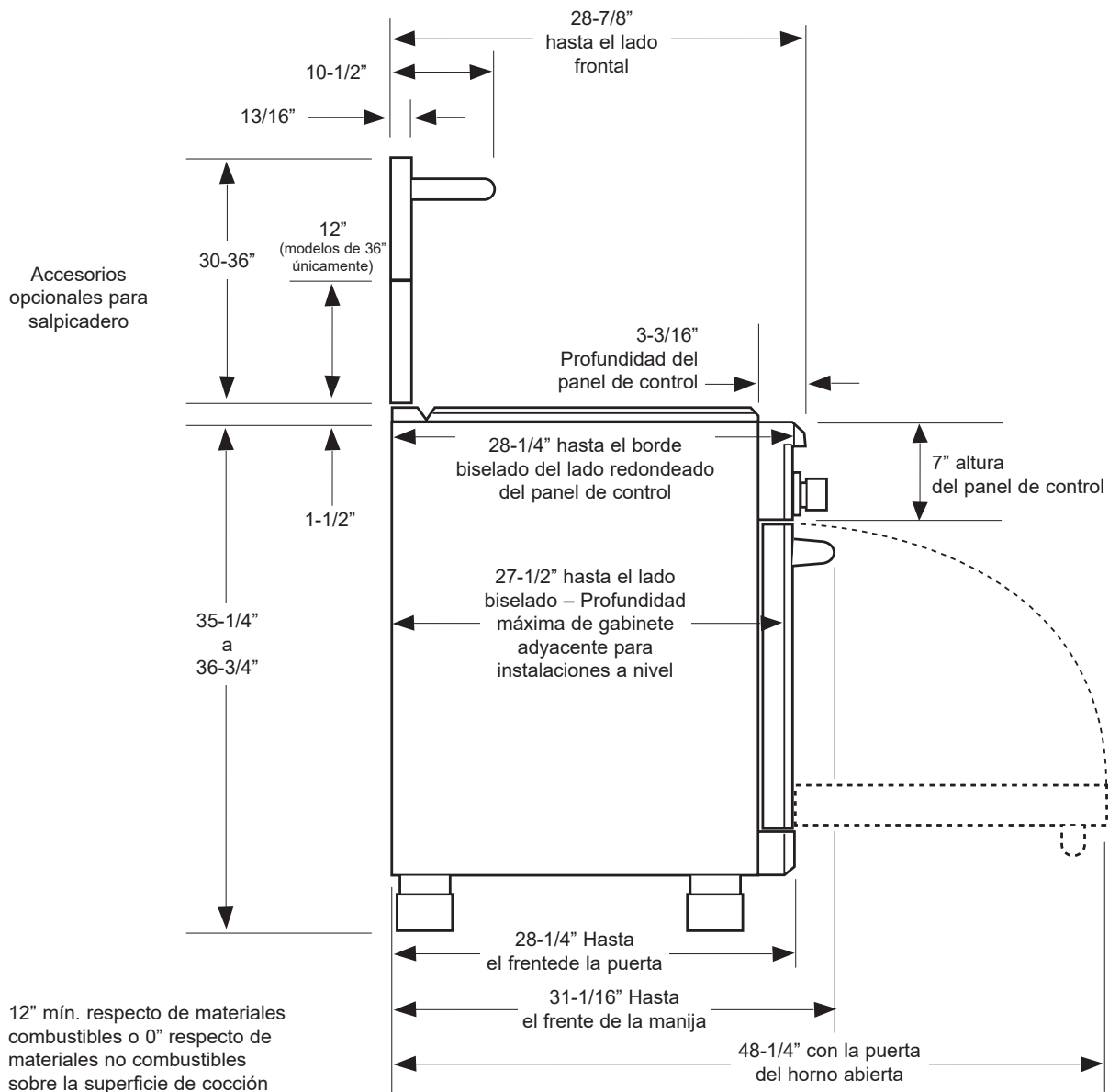
Para la instalación de la isla, deje un espacio mínimo de 2-1/2" entre la abertura y el extremo trasero de la mesada y un mínimo de 3" entre la abertura y los extremos laterales de la mesada (ver la vista superior).



Información de diseño

DIMENSIONES Y ESPACIOS DEL PRODUCTO

Modelos de cocinas de 48", 36" y 30"



⚠ ADVERTENCIA

El accesorio para salpicadero de acero inoxidable de 12" de altura debe instalarse en combinación con un salpicadero no combustible a medida.

El salpicadero terminado debe cubrir toda la pared trasera hasta la parte inferior de una capucha, o cuando no haya una capucha, 48" respecto de elementos combustibles.

(modelos de 36" únicamente)

Información de instalación

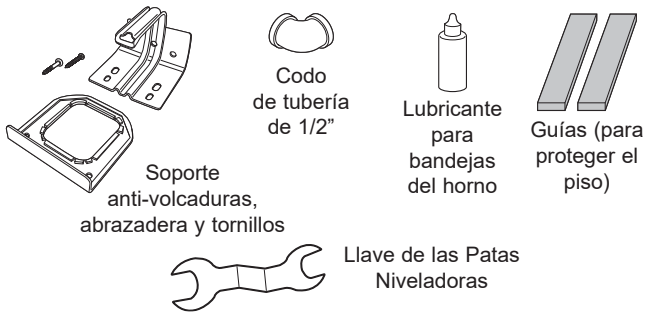
KIT PARA ALTITUDES ELEVADAS WB28K10553

Para el funcionamiento sobre 6.000 pies de altura, solicite el kit de conversión WB28K10553. Este kit incluye orificios para la utilización de propano (LP) gas y gas natural.

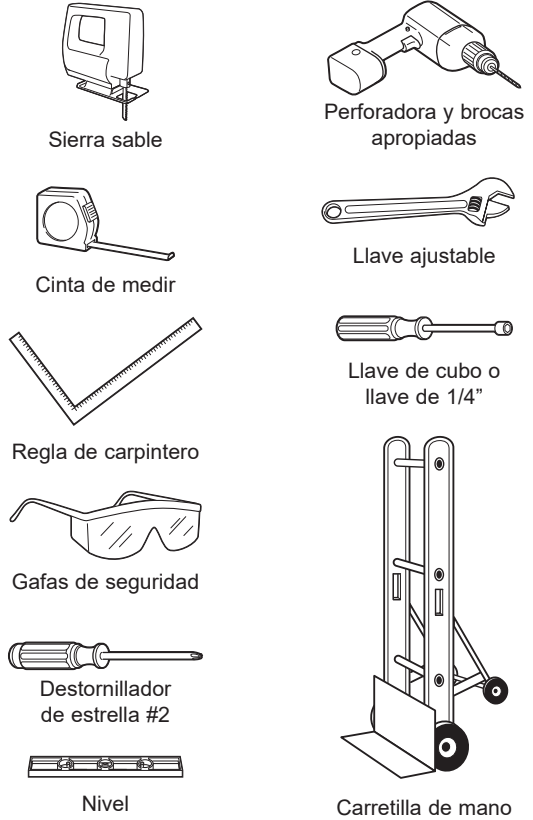
KIT DE REDUCCIÓN WB28K10554

(Para cocinas con espacio reducido)
El kit de reducción se utiliza con el modelo ZDP304N (sólo gas natural). Este kit incluye orificios para reducir la salida del quemador de superficie a 40.800 BTU.

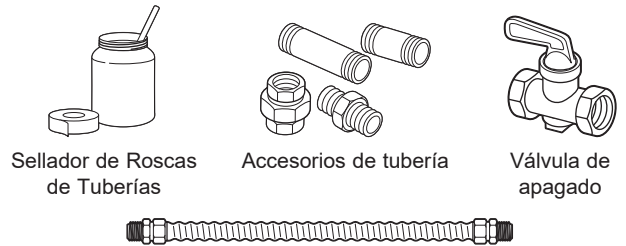
MATERIALES PROVISTOS



HERRAMIENTAS REQUERIDAS



MATERIALES REQUERIDOS (NO PROVISTOS)



Longitud máxima de 5 pies, 5/8" DE. Suministro de gas de metal flexible aprobado por CSA

NOTA: Adquiera una línea flexible nueva; no utilice una línea de gas flexible previamente usada.

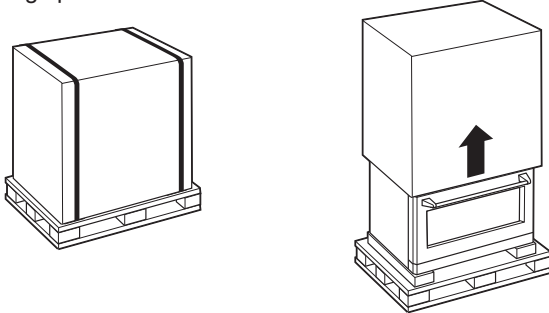
Instalación

1 QUITE EL EMPAQUE

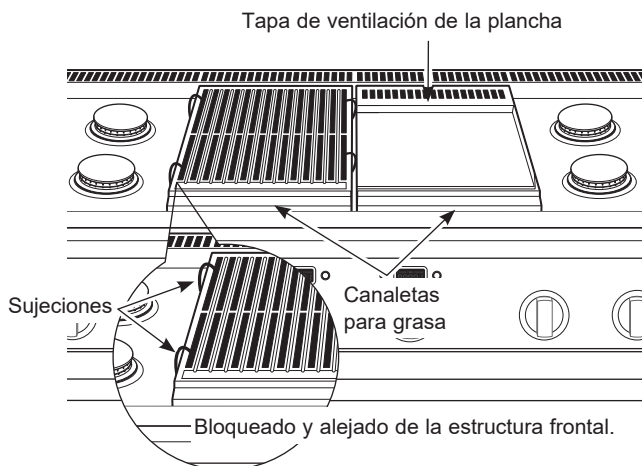
⚠ PRECAUCIÓN

Mantenga una distancia prudencial.

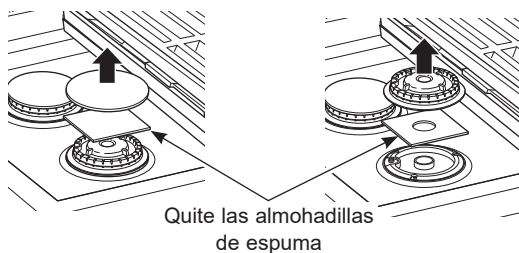
Cuando se cortan, los extremos de los precintos de metal pueden golpearlo.



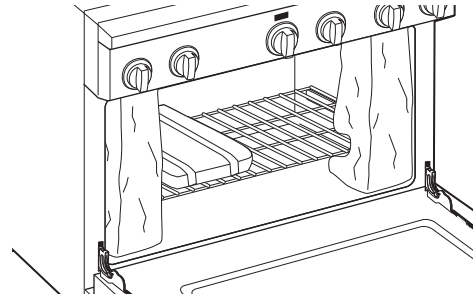
- Corte los precintos de metal. Levante la caja hacia arriba.
- Ubique las dos guías en la parte superior del empaque. Estas guías se utilizarán para proteger el piso de la cocina durante la instalación.
- Quite las protecciones de las esquinas. Deseche todo el material de empaque.
- Quite las tapas de la parrilla/plancha, la rejilla de la parrilla y las rejillas de los quemadores.
- Levante y quite la tapa de ventilación de la plancha de hierro fundido, las canaletas para grasa y las almohadillas.
- Corte las sujeciones que sostienen la rejilla de la parrilla al armazón de la parrilla.



- Levante las tapas de los quemadores y quite las almohadillas de espuma, luego levante los cabezales de los quemadores y quite las almohadillas de espuma.



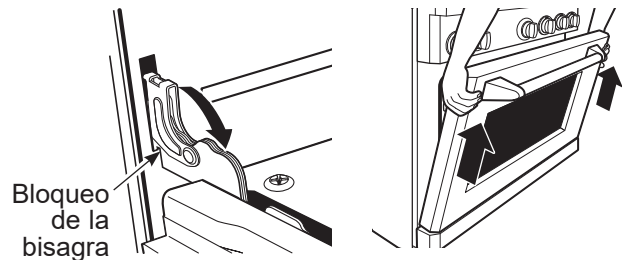
- Abra la(s) puerta(s) del horno y quite los elementos de empaque. Quite la asadera que sostiene el estante, la cinta, el paquete con las instrucciones, el lubricante de bandejas y la sonda.



⚠ PRECAUCIÓN

Las puertas y pasillos que lleven a la ubicación de la instalación requieren de una abertura de por lo menos 32". Si la abertura es menor a los 32", deben quitarse la(s) puerta(s) del horno y las perillas de control.

QUITAR LA(S) PUERTA(S) DEL HORNO SÓLO SI ES NECESARIO para trasladar la cocina a través de las puertas. Para evitar daños a los lados de la cocina, será necesario colocar almohadillas en las esquinas debajo de las cintas de la carretilla de mano.



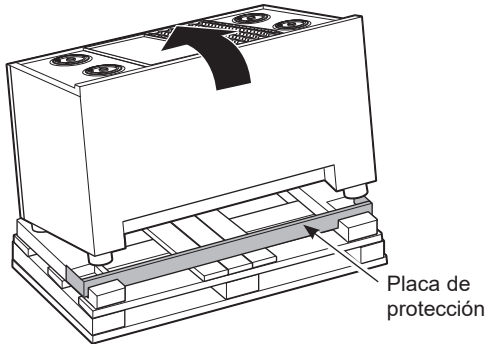
Para quitar la(s) puerta(s) del horno:

- Abra la puerta por completo.
- Cada bisagra cuenta con un bloqueo de bisagra. Empuje la bisagra hacia usted.
- Tome firmemente la puerta de los lados superiores.
- Cierre la puerta hasta una posición casi vertical.
- Levante la puerta hacia arriba y hálela hacia afuera.

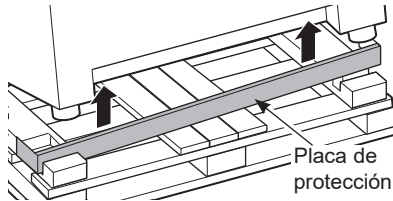
Instalación

2 TRASLADÉ LA COCINA AL INTERIOR

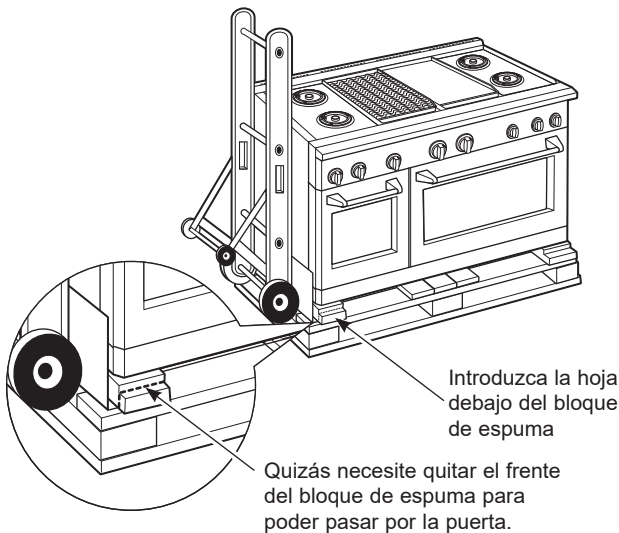
1. Incline la cocina hacia adelante sobre el patín.



2. Quite la placa de protección de la base de espuma.



3. Coloque la hoja de la carretilla de mano debajo del bloque de espuma.

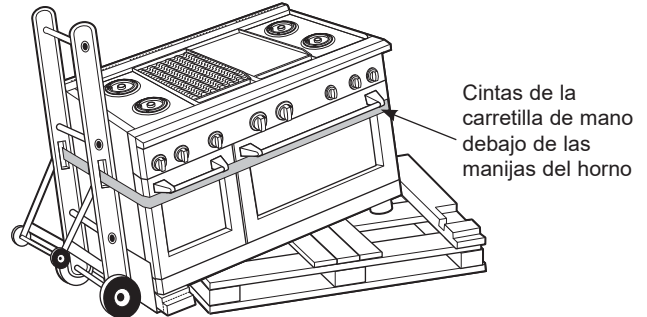


IMPORTANTE: No retire el bloque de espuma de la base mientras la carretilla elevadora se encuentre en uso. Coloque la hoja de la carretilla elevadora debajo del bloque de espuma de la base y transporte la sierra hasta la ubicación final.

4. Sujete las correas de la carretilla de mano alrededor de la unidad.

IMPORTANTE: Coloque las cintas de la carretilla de mano debajo de las manijas de la puerta del horno. A fin de evitar dañar los paneles laterales, coloque una almohadilla entre la carretilla de mano y la cocina.

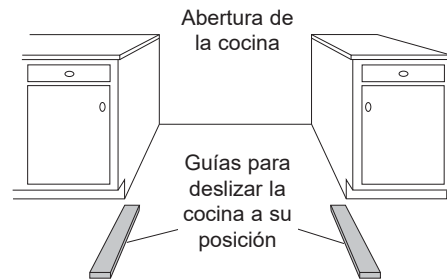
5. Incline la cocina para bajar las ruedas de la carretilla de mano del patín.



6. Coloque las guías del aparato sobre el piso en los lados izquierdo y derecho en frente de la abertura.

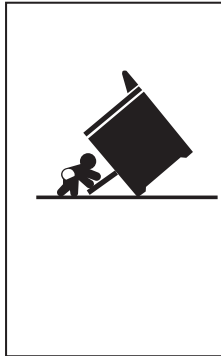
IMPORTANTE: Las guías brindan una superficie para deslizar la cocina a su posición final y protegen el acabado del piso. Las guías deben quitarse antes de nivelar la cocina.

7. Traslade la cocina al interior. Coloque la cocina frente a la ubicación de la instalación, sobre las guías.



Instalación

3 INSTALE EL DISPOSITIVO ANTI-VOLCADURAS



⚠ ADVERTENCIA

Riesgo de Caída

- Un niño o adulto pueden volcar la cocina y morir.
- Instale el soporte anti-volcaduras sobre la pared o el piso.
- Asegúrese la estufa al soporte anti-volcaduras deslizando la unidad hacia atrás de tal manera que la pata niveladora sea enganchada.
- Vuelva a adherir el soporte anti-volcaduras si la estufa se mueve de lugar.
- Si esto no se hace, se podrá producir la muerte o quemaduras graves en niños o adultos.

Para reducir el riesgo de volcar la cocina, ésta debe sujetarse mediante un soporte anti-volcaduras con una adecuada instalación. Ver las instrucciones de instalación enviadas con el soporte para obtener detalles completos antes de iniciar la instalación.

Para controlar que el soporte esté instalado y sujetado de forma adecuada, observe la parte inferior de la cocina. El soporte anti-Volcaduras se debe insertar en la abertura correspondiente a la abrazadera anti-volcaduras de la cocina. Si el brazo del soporte pierde la abrazadera en la parte izquierda o derecha, o si el brazo del soporte no sobresale a través de la apertura de la abrazadera, la abrazadera se deberá volver a instalar.

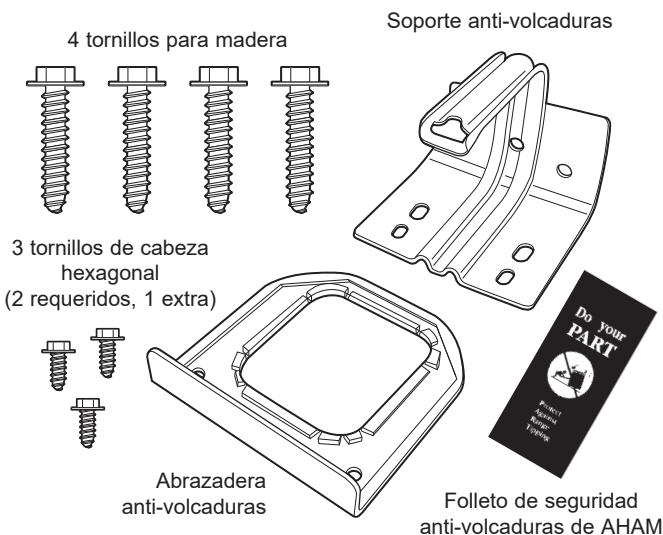
Si la cocina se separa de la pared por cualquier razón, siempre repita este procedimiento para verificar que la cocina esté bien sujeta mediante el soporte anti-volcaduras.

Si su cocina no cuenta con un soporte anti-volcaduras, llame al 1.800.626.8774 para recibir uno sin costo alguno.

Si el dispositivo anti-volcaduras suministrado con la cocina no es apto para la aplicación, utilice el dispositivo anti-volcaduras WB2X7909.

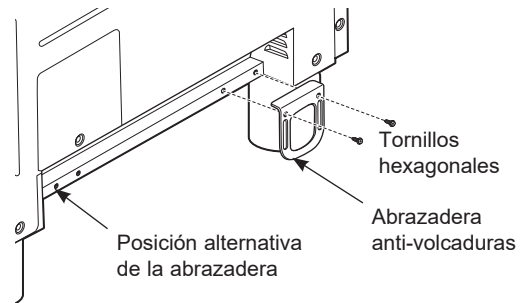
Lea el Folleto de seguridad anti-volcaduras de AHAM enviado con el soporte.

Piezas anti-volcaduras provistas



- Sujete la abrazadera anti-volcaduras a la parte inferior de la cocina en el área empotrada. Instale 2 tornillos hexagonales (provistos) a través de la abrazadera y dentro de la cocina.

NOTA: Este dispositivo anti-volcaduras puede instalarse en el lado opuesto de la cocina.



- Mida y marque Dimensión A (vea la tabla abajo) desde el lado izquierdo (o derecho) de la ubicación de la instalación. Si el mostrador de encimera tiene una saliente, agregue esa dimensión a Dimensión A.

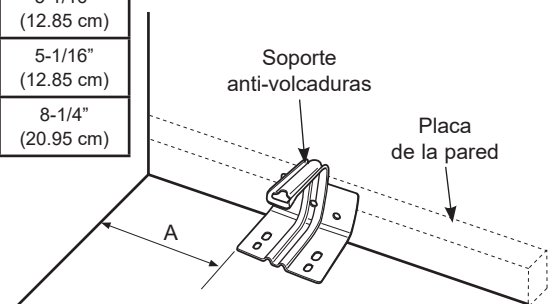
- Coloque el soporte anti-volcaduras contra el piso y pared trasera en la ubicación marcada. Marque los orificios de los tornillos para sujetar el soporte a la placa de la pared y el piso.

- Perfore orificios piloto de 1/8" a un ángulo de 20°.

- Sujete el soporte a la pared y/o piso mediante por lo menos 2 tornillos para madera (provistos).

Para construcciones de concreto o cemento: Deben utilizarse elementos de sujeción apropiados (no provistos).

La Cocina	A
30" (76 cm)	5-1/16" (12.85 cm)
36" (91 cm)	5-1/16" (12.85 cm)
48" (121 cm)	8-1/4" (20.95 cm)



Instalación

4 CONVERSIÓN A PROPANO (LP) O A GAS NATURAL

El regulador de presión y los orificios del quemador están configurados de fábrica tanto para gas natural como para gas propano (LP), dependiendo del número de modelo. A fin de convertir a un gas diferente para el cual su regulador de presión fue configurado, los orificios del regulador o del quemador deberán ser convertidos. La conversión deberá ser realizada por un instalador de gas propano (LP) calificado.

Guarde estas instrucciones y todo orificios en caso de que lo desee convertir nuevamente a gas natural.

5 SUMINISTRO DE GAS

⚠ ADVERTENCIA Riesgo de incendio: No use una llama para controlar las pérdidas de gas.

⚠ ADVERTENCIA Riesgo de Explosión: No supere una torsión máxima de 25 pies-libras al realizar conexiones de tuberías de gas. Cualquier ajuste en exceso podrá dañar el regulador de presión, resultando en riesgo de incendio o explosión.

Regulador de Presión de Gas

Se deberá usar el regulador de presión de gas suministrado con esta cocina. Para un funcionamiento adecuado, la presión de entrada al regulador deberá ser la siguiente:

Gas Natural:

Presión mínima: Columna de Agua de 6"

Presión máxima: Columna de Agua de 13"

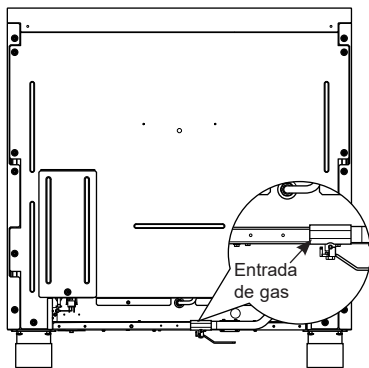
Gas Propano:

Presión mínima: Columna de Agua de 11"

Presión máxima: Columna de Agua de 13"

Si no está seguro sobre cuál es la presión de entrada, comuníquese con el proveedor de gas local.

NOTA: Esta cocina está equipada con una válvula de cierre de gas ubicada en la parte trasera de la misma, cerca del piso. Esta llave de cierre se debe usar en caso de necesitar realizar el servicio técnico. Para acceder a la válvula de cierre, retire el panel del zócalo y acceda a la parte inferior de la cocina.



5 SUMINISTRO DE GAS (Cont.)

Cierre la válvula principal de suministro de gas antes de desconectar su vieja cocina y deje la misma apagada hasta que la nueva conexión se haya completado. No olvide volver a encender el piloto en otros electrodomésticos a gas cuando vuelva a encender el gas.

Debido a que las tuberías duras restringen el movimiento de la cocina, se recomienda el uso del conector para electrodomésticos de metal flexible con certificación internacional de CSA, a menos que los códigos locales requieran una conexión de tubería dura.

Si se usa el método de tubería dura, deberá alinear la misma con cuidado; la cocina no se podrá mover una vez realizada la conexión.

A fin de evitar pérdidas de gas, coloque el sellador de roscas de tuberías, o envuelva la cinta para roscas de tuberías con Teflón* alrededor de todas las roscas de tubería macho (externas).

- Instale una válvula de cierre manual de la línea de gas en la línea de gas, en una ubicación de fácil acceso fuera de la cocina. Asegúrese de que todas las personas que usen la cocina sepan dónde y cómo cerrar el suministro de gas de la cocina.
- Instale el adaptador para uniones cónicas macho de 1/2" a la rosca interna de NPT de 1/2" en la entrada de la válvula de cierre de la estufa. Use la llave de repuesto en la válvula de cierre para evitar daños.
- Instale el adaptador para uniones cónicas macho de 1/2" o 3/4" a la rosca interna de NPT de la válvula de cierre del hogar, procurando evitar que la válvula de cierre no gire.
- Conecte el conector de metal flexible del electrodoméstico al adaptador de la cocina. Posicione la estufa para permitir la conexión en la válvula de cierre del hogar.
- Cuando todas las conexiones se hayan realizado, asegúrese de que todos los controles de la cocina estén en la posición de apagado y encienda la válvula de suministro principal de gas. Use un detector de pérdida de líquido en todas las conexiones de gas, a fin de controlar pérdidas en el sistema.

Al usar presión superior a 1/2 psig para controlar la presión del sistema de suministro de gas de la residencia, desconecte la cocina y la válvula de cierre individual de la tubería de suministro de gas. Al usar las presiones de prueba de 1/2 psig o menos para controlar el sistema de suministro de gas, simplemente aisle la cocina del sistema de suministro de gas, cerrando la válvula de cierre individual.

Al controlar el funcionamiento adecuado del regulador, la presión de entrada deberá ser por lo menos 1" mayor que la presión de funcionamiento (tubo) como en la etiqueta de calificación del producto.

*Teflón: Marca registrada por DuPont

Instalación

6 CONEXIONES ELÉCTRICAS

⚠ADVERTENCIA Riesgo de Descarga: Este electrodoméstico deberá estar conectado a tierra de forma adecuada. Si no cumple con esto se podrán producir descargas eléctricas.

Requisitos Eléctricos - Circuito específico de 120 voltios, 60 Hertz, correctamente conectado a tierra por un disyuntor de 15 o 20 amperes o fusible de retraso.

NOTA: No se recomienda para este producto el uso de interruptores automáticos, inalámbricos o con cableado externo que apagan la corriente del electrodoméstico.

Conexión a Tierra

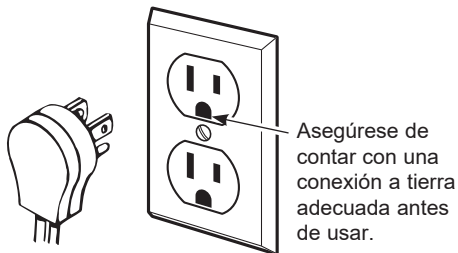
El cable de corriente de este electrodoméstico cuenta con un enchufe de 3 patas (conexión a tierra) que se conecta a un tomacorriente de pared estándar de 3 cables para minimizar la posibilidad de riesgos de descargas eléctricas por parte del mismo.

El cliente deberá contratar a un electricista calificado para que controle el circuito, a fin de asegurar que el tomacorriente esté correctamente conectado a tierra.

En caso de contar con un tomacorriente de pared de 2 cables, es la responsabilidad y obligación del cliente reemplazarlo por un tomacorriente de pared de 3 cables correctamente conectado a tierra.

NUNCA, BAJO NINGUNA CIRCUNSTANCIA, CORTE NI ELIMINE EL TERCER CABLE (TIERRA) DEL CABLE DE CORRIENTE. NO USE UN ADAPTADOR. NO USE UN PROLONGADOR.

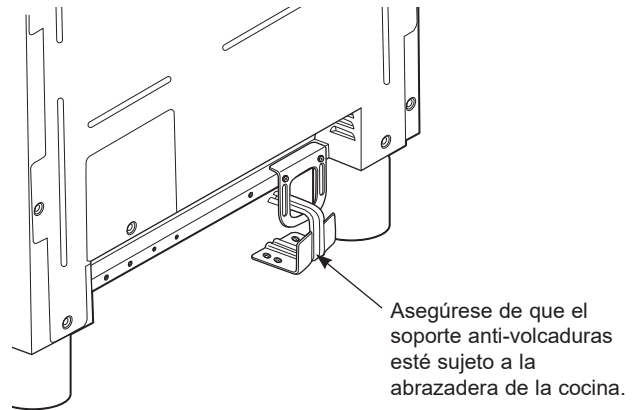
No se requieren ni se recomiendan Interruptores con Detección de Falla a Tierra (GFCI) en receptáculos de cocinas a gas. El funcionamiento de la estufa no se verá afectado si se utiliza en un circuito GFCI protegido, pero es posible que se produzcan detenciones ocasionales no deseadas del interruptor GFCI.



7 COLOQUE LA COCINA EN SU POSICIÓN

⚠ADVERTENCIA El soporte anti-volcaduras debe instalarse adecuadamente para evitar la volcadura accidental de la cocina. No hacerlo puede provocar daños o lesiones graves.

- Asegúrese de que las guías del aparato se encuentren debajo de las ruedas.
- La cocina se envía con la ruedas en la posición baja. Con mucho cuidado deslice la cocina a su posición, asegurándose de no enroscar o pellizcar el cable de energía y la tubería flexible de gas.
- Quite las guías ubicadas debajo de la cocina.



Instalación

8 NIVELE LA COCINA

▲ADVERTENCIA

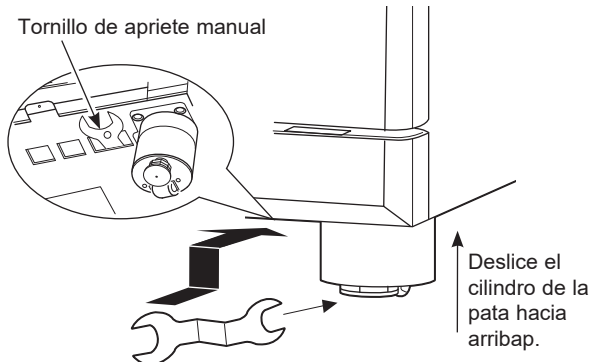
La cocina debe estar nivelada y sostenida por las patas, no por las ruedas. La cocina podría desplazarse si las ruedas hacen contacto con el piso. Asegúrese de que todas las patas estén en contacto con el piso en cualquier instalación.

- Todas las patas deben nivelarse después de que el producto se haya instalado.
- Asegúrese de que los gabinetes/mostradores de encimera cercanos se encuentren nivelados, desde el frente a la parte trasera y de izquierda a derecha a lo largo de la abertura de la cocina.
- Mida la distancia desde el piso hasta el extremo superior del mostrador de encimera en las esquinas traseras izquierda y derecha.
- Ajuste la altura de la cocina a la altura del mostrador de encimera o a una altura superior.

IMPORTANTE: Esta cocina siempre debe instalarse a la altura del mostrador de encimera o a una altura superior. **NO INSTALE LA COCINA POR DEBAJO DE LA ALTURA DEL MOSTRADOR DE ENCIMERA ADYACENTE.** Esta cocina debe hallarse sostenida por las 4 patas, independientemente de la altura del mostrador de encimera.

AJUSTE DE LAS PATAS DELANTERAS

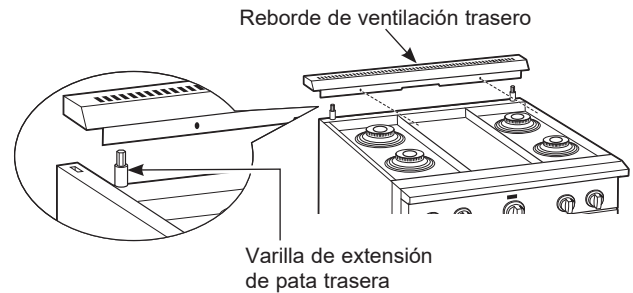
- El aparato cuenta con una llave para nivelar las patas. Ubique la misma debajo del frente de la cocina, cerca de la pata derecha. Ubique y quite un tornillo de apriete manual y luego saque la llave de la ranura.
- Deslice el cilindro frontal hacia arriba para acceder a las patas niveladoras frontales. Tenga cuidado de no dañar el cilindro.
- Use la llave suministrada para ajustar las patas niveladoras frontales. Gire en dirección de las agujas del reloj para extender las patas a fin de elevar y estabilizar la cocina. Gire en dirección contraria a las agujas del reloj para retraer las patas y permitir que la cocina se apoye sobre sus ruedas.
- Asegúrese de volver a colocar la llave en su ranura de almacenamiento para usos posteriores.



8 NIVELE LA COCINA (cont.)

AJUSTE DE LAS PATAS TRASERAS

- Quite dos tornillos del reborde de ventilación trasero. Deslice el reborde de ventilación hacia adelante y luego levántelo.
- Busque las dos varillas de extensión de las patas traseras. Utilice una llave de cubo o llave de 1/4" para ajustar las patas traseras izquierda o derecha.



- Reemplace el reborde de ventilación trasero utilizando los tornillos originales.

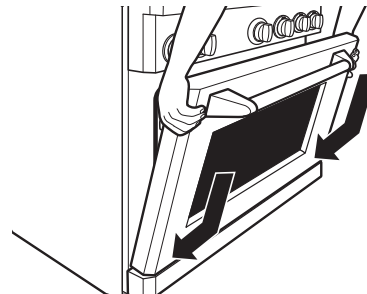
9 REEMPLACE LAS PUERTAS DEL HORNO

Saltee este paso si las puertas del horno se encuentran en su lugar.

IMPORTANTE: No levante la puerta tomándola de la manija.

Para reemplazar las puertas del horno:

- Tome firmemente la puerta de los lados superiores. Esto es fundamental.
- Acérquese a la cocina con la puerta en posición vertical.
- Guíe las bisagras dentro de las ranuras.
- Presione la puerta firmemente hacia adentro mientras la abre.
- Una vez que esté en su posición, abra la puerta por completo. Presione las trabas de la bisagra hacia adentro y hacia el armazón frontal.



▲PRECAUCIÓN

Tenga cuidado al reemplazar las puertas del horno. Si la traba de la bisagra no se encuentra bien bloqueada, la bisagra puede saltar y separarse. Si la bisagra se separa, debe aplicarse presión (posiblemente con el pie) para unirla y enganchar de nuevo la traba de la bisagra.

Instalación

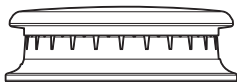
10 CONTROLE LOS QUEMADORES

⚠ ADVERTENCIA

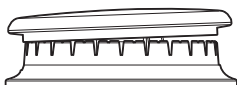
Riesgo de Incendio o Explosión:

No use el quemador sin que todas las partes de los quemadores estén en sus respectivos lugares.

- A. **Quemadores** - Coloque las cabezas de los quemadores en las posiciones correspondientes en la placa de cocción.
- B. **Tapas** - Coloque las tapas en los quemadores de los tamaños correspondientes.
- C. **Rejillas** - Las rejillas izquierda y derecha son intercambiables. Coloque las rejillas en la placa de cocción.



Tapa del quemador bien colocada



Tapa del quemador mal colocada

11 CONTROLE LAS CABEZAS DE LOS QUEMADORES

Presione y gire la perilla a la posición LITE (Luz). Un sonido de clic indica el correcto funcionamiento del sistema de encendido. Al iluminar cualquier quemador, se producirán chispas en todos los quemadores pero sólo saldrá gas del que fue seleccionado. Una vez que el aire se haya purgado de la línea de suministro, el quemador se deberá encender dentro de los 4 segundos. Luego de que el quemador se encienda, gire la perilla fuera de la posición LITE (Luz). Pruebe cada quemador de forma sucesiva hasta que todos los quemadores hayan sido controlados.

Calidad de las Llamas

Determine la calidad de las llamas de forma visual. Las llamas normales de los quemadores se deberán ver como (A) o (B).



(A) Llamas azul suave — Normal para gas natural



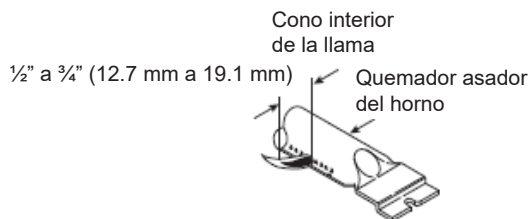
(B) Puntas amarillas en conos externos — Normal para el gas propano (LP)

Las llamas largas de color amarillo brillante no son normales. Las llamas normales podrán mostrar signos de un tinte anaranjado cuando estén bien quemadas, o signos de anaranjado parpadeante debido a las partículas del gas o del aire.

12 REVISE LA OPERACIÓN DE LOS QUEMADORES DE HORNEAR DEL HORNO

- A. Retire la base del horno y el difusor (consulte las secciones 6A y B de las instrucciones de instalación de la conversión, página 24).
- B. Para operar el quemador de hornear, gire la perilla selectora de modalidad del horno a la posición Bake y gire la perilla de la temperatura del horno a 350. Después de 30 a 90 segundos, se prenderá el quemador.

Las llamas deben ser constantes, conos azules aproximadamente de 1" Y, si la estufa opera con gas natural, no deben tener puntas amarillas. Con la mayoría de gas propano (LP), las puntas amarillas pequeñas en el extremo de los conos de gas exteriores son normales. El cono interior de la llama debe ser entre 1/2" y 3/4" de largo para cualquier gas.



- C. Realice la misma revisión en el horno acompañante, si lo hay.

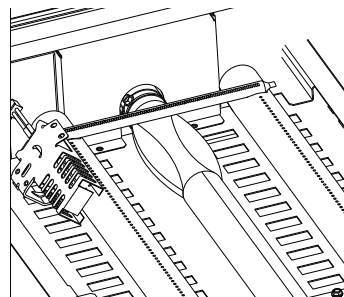
13 CÓMO AJUSTAR EL QUEMADOR DE HORNEAR EN EL OBTURADOR (si es necesario)

Para ajustar el obturador:

1. Si las llamas están amarillas, abra el obturador de aire más allá del nivel original.
2. Si las llamas fluctúan o se alejan del quemador, cierre el obturador de aire más allá del nivel original.

Se puede lograr acceso al obturador de aire para el quemador de hornear al quitar el quemador.

- A. Con un destornillador, afloje el tornillo de ajuste del obturador de aire.



Instalación

13 CÓMO AJUSTAR EL QUEMADOR DE HORNEAR EN EL OBTURADOR (Cont.)

- B. Haga el ajuste al obturador de aire.
- C. Vuelva a apretar el tornillo del obturador de aire.
- D. Revise que el cono interior de la llama esté entre $\frac{1}{2}$ " y $\frac{3}{4}$ " (12.7 mm y 19.1 mm) de largo.

Después de confirmar la operación correcta del quemador, reemplace todas las partes.

14 REVISE LA OPERACIÓN DEL QUEMADOR DEL ASADOR DEL HORNO

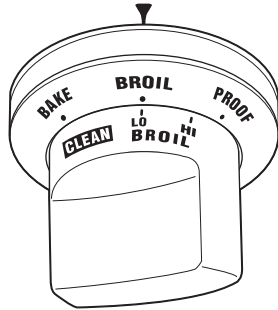
El quemador del asador debe encenderse y calentarse hasta por 3 minutos antes de la operación de revisión.

1. Para operar el quemador asador, gire la perilla selectora de modalidad del horno a la posición Broil y gire la perilla de la temperatura a Broil Hi. Después de 30 a 90 segundos, el quemador se encenderá.

Debe haber una manta uniforme de llama cubriendo toda la superficie de la pantalla que es azul y apenas visible, aproximadamente $\frac{1}{4}$ " de largo. Después de aproximadamente 3 minutos, el área de la pantalla debe empezar a verse de color naranja.

2. Realice la misma revisión en el horno acompañante, si lo hay.

Si la llama es larga y débil, verifique que el orificio correcto esté instalado y el regulador esté convertido correctamente para su suministro de gas.



CUANDO TODAS LAS CONEXIONES SE HAYAN COMPLETADO

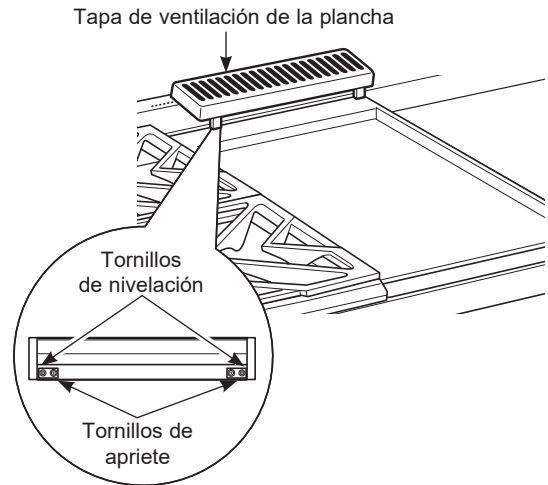
Asegúrese que todos los materiales de empaque y cintas se hayan retirado. Esto incluye cintas sobre el panel metálico debajo de las perillas de control (si corresponde), cinta adhesiva, cintas de ajuste, cartón y plástico protector. Si estos materiales no se retiran, se podrá producir como resultado un daño sobre el electrodoméstico, una vez que el mismo haya sido encendido y las superficies estén calientes.

FINALICE LA INSTALACIÓN

Coloque las rejillas de los quemadores sobre los quemadores. Las rejillas deben estar bien asentadas y no deben moverse.

La plancha se halla sujeta con tornillos. Se encuentra diseñada para permanecer en un lugar fijo y no debe quitarse.

La plancha cuenta con dos tornillos de nivelación debajo de tapa de ventilación trasera que pueden usarse para ajustar la inclinación deseada.



Los dos tornillos internos son tornillos de apriete para asegurar la plancha en su lugar. Afloje los dos tornillos antes de nivelar. No quite estos dos tornillos.

Los dos tornillos exteriores son tornillos de nivelación. No quite estos dos tornillos. Pueden girarse para nivelar la plancha o para brindar una inclinación hacia adelante para que las grasas y aceites se escurran de los alimentos que se están cocinando.

Después de nivelar la plancha, ajuste los tornillos de apriete a mano; no ajuste de más.

LISTA DE CONTROL DE LA INSTALACIÓN

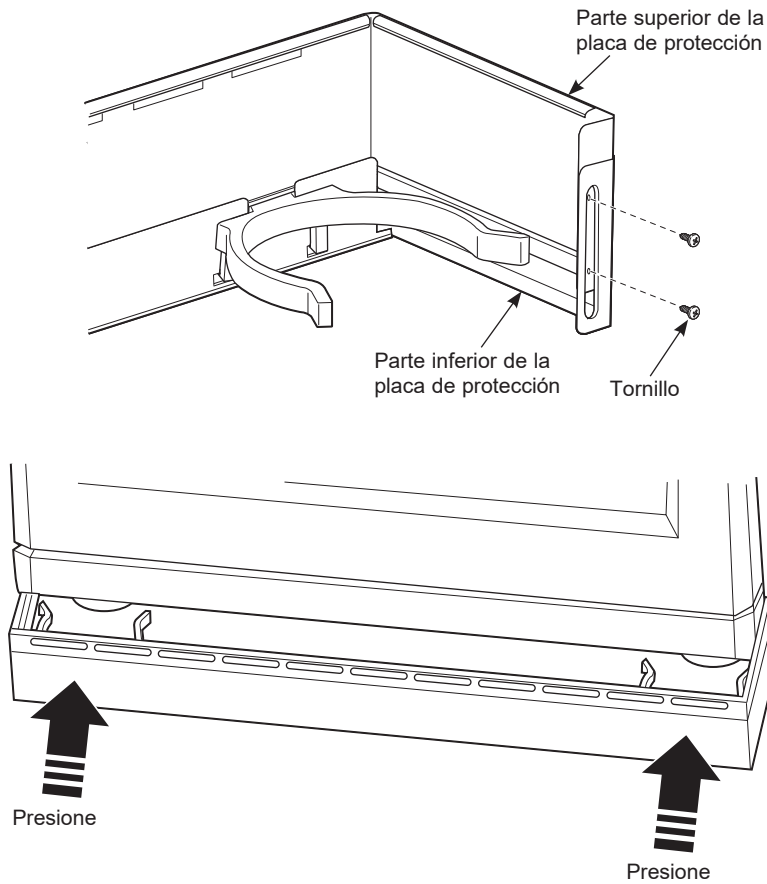
- Verifique que todos los controles queden en la posición OFF (apagado).
- Asegúrese de que la corriente de aire de combustión y de ventilación hacia la cocina no esté obstruida.
- **Vuelva a chequear los pasos:**
Constata dos veces que todos los puntos de este manual se hayan completado. Volver a chequear los pasos garantizará un uso seguro de la cocina.

NOTA: La placa de calificación está ubicada en la parte inferior del panel de control y está visible desde la parte inferior cuando la puerta del horno es abierta. Los números de modelo y serie también se pueden encontrar en la parte trasera de la perilla izquierda, y están visibles cuando la perilla es retirada.

Instalación

ACCESORIOS – PLACA DE PROTECCIÓN (en algunos modelos)

- Instale la placa de protección después de que se haya nivelado la cocina.
 - Mida la distancia entre el piso y la parte inferior de la cocina.
 - Afloje los dos tornillos de cada extremo. Ajuste la altura de la placa de protección separando las piezas superiores e inferiores en 1/8" menos que la altura medida.
 - Fije las secciones superior e inferior ajustando los 2 tornillos de cada extremo.
 - Presione la placa de protección contra la pata de la cocina hasta que se trabe sobre las patas.
- NOTA:** Asegúrese de que la placa de protección quede bien sujeta a la pata.



Instalación de accesorios UX12B36PSS

ACCESORIOS OPCIONALES – SALPICADERO ALTO DE 12”

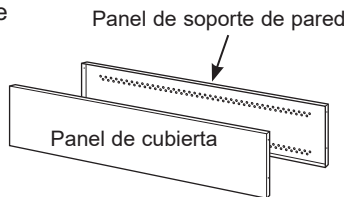
Este kit provee la instalación de tableros posteriores superiores de 12” en Estufas y Placas Superiores de Estufas Profesionales.

HERRAMIENTAS Y MATERIALES REQUERIDOS

- Guantes para protegerse de los bordes filosos
- Destornilladores T-15 y de estrella #2
- Perforadora eléctrica con mechas de 3/32” y 9/64” bits
- Gafas de seguridad
- Nivel
- Lápiz

Este kit incluye

- Panel de soporte de pared
- Panel de cubierta
- Paquete de ferretería con
 - 5 tornillos auto-roscantes #8 Torx 15 de acero inoxidable
 - 5 tornillos de estrella #2 para madera de cabeza troncocónica #10

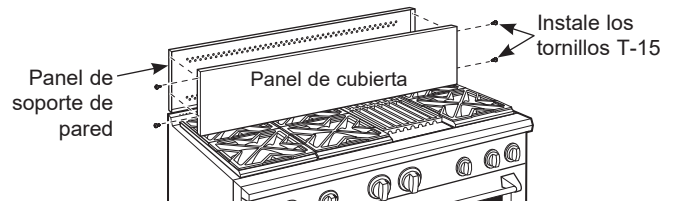
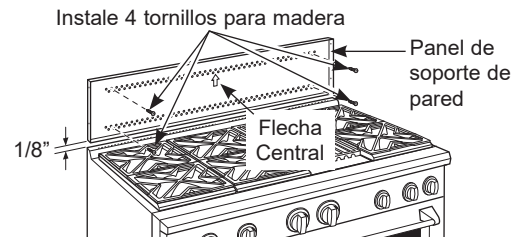


INSTALE EL SALPICADERO DE 12”

⚠ ADVERTENCIA

Este salpicadero debe estar bien sujeto a la pared. No hacerlo puede provocar daños o lesiones personales.

- Instale y nivele la cocina o estufa y la capucha de la cocina de acuerdo con las instrucciones de instalación.
- Quite el empaque y la película protectora del salpicadero.
- Utilice un nivel para marcar con lápiz una línea horizontal sobre la pared, 1/8” sobre la cocina o estufa. El espacio de 1/8” permite que el panel de cubierta se superponga con el panel de soporte de pared.
- Ubique los parantes en ambos lados. Donde no haya parantes disponibles, utilice anclajes de pared (no provistos).
- Alinee el panel de soporte de pared sobre la línea horizontal marcada y centrada de izquierda a derecha.
- El panel de soporte de pared debe fijarse a la pared en las 4 esquinas. Utilice tornillos para madera (provistos) o anclajes de pared (no provistos) para fijar el panel de soporte a la pared.
- Coloque el panel de protección sobre el panel de soporte de pared y fije con tornillos Torx (provistos). Instale 2 tornillos en cada lado.



Instalación de accesorios UXADJB36PSS, UXADJB48PSS

ACCESORIOS –SALPICADERO AJUSTABLE DE 30” A 36” (no incluido)

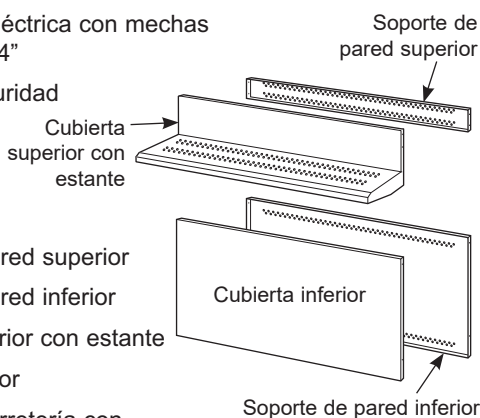
- Este salpicadero puede ajustarse para poder utilizarse en el espacio entre la parte superior de la cocina y la parte inferior de la capucha, con una altura mínima de 30” y una máxima de 36”.
- El peso máximo de capacidad de carga del estante es de 40 lbs.

HERRAMIENTAS Y MATERIALES REQUERIDOS

- Guantes para protegerse de bordes filosos
- Destornilladores T-15 y de estrella #2
- Perforadora eléctrica con mechas de 3/32” y 9/64”
- Gafas de seguridad
- Nivel
- Lápiz

Este kit incluye

- Soporte de pared superior
- Soporte de pared inferior
- Cubierta superior con estante
- Cubierta inferior
- Paquete de ferretería con
 - 9 tornillos auto-roscantes #8 Torx 15 de acero inoxidable
 - 9 tornillos de estrella #2 para madera de cabeza troncocónica #10
 - 3 tornillos de cabeza segmentada #10 de acero inoxidable #2 (para un método de instalación alternativo)



INSTALE LOS PANELES DE SOPORTE DE PARED

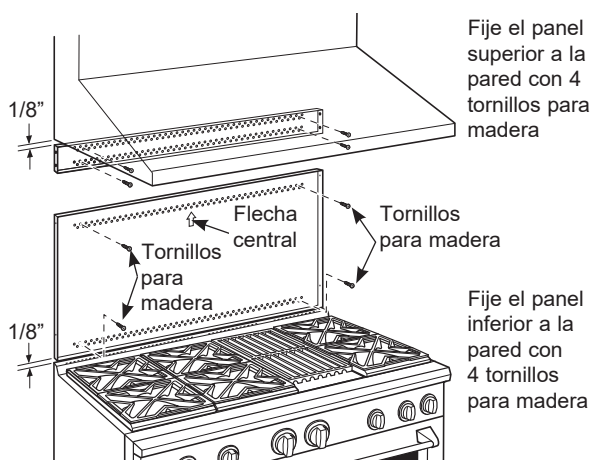
⚠ ADVERTENCIA

Los paneles de soporte de pared deben estar bien sujetos a la pared. No hacerlo puede provocar daños o lesiones personales.

IMPORTANTE: Este salpicadero se encuentra diseñado para cubrir la pared entre la parte inferior de la capucha y la parte superior de la cocina. La capucha de ventilación debe instalarse sobre la estufa o cocina antes de instalar el salpicadero.

- Instale y nivele la cocina/estufa de acuerdo con las instrucciones de instalación del producto.
- Quite el empaque y la película protectora del salpicadero.
- Ubique los parantes en ambos lados. Donde no haya parantes disponibles, utilice anclajes de pared (no provistos).
- Utilice un nivel para marcar con lápiz 2 líneas horizontales sobre la pared, una 1/8” por debajo de la capucha de ventilación y la otra 1/8” por encima de la cocina/estufa. El espacio de 1/8” permite que los paneles de cubierta se superpongan con los soportes de pared.
- Fije el panel de soporte de pared superior a la pared con 4 tornillos para madera, a través de los parantes exteriores.
- Utilice 4 tornillos para madera para fijar el panel de soporte de pared inferior. La ranura central debe ubicarse en la parte superior.

El espacio entre los paneles de soporte superior e inferior se cubrirá con la cubierta superior con estante.

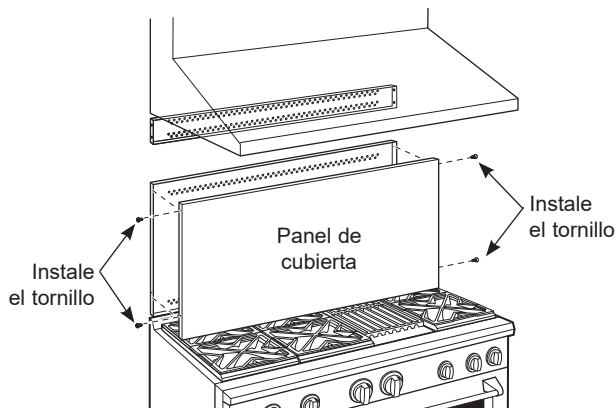


Instalación de accesorios UXADJB36PSS, UXADJB48PSS

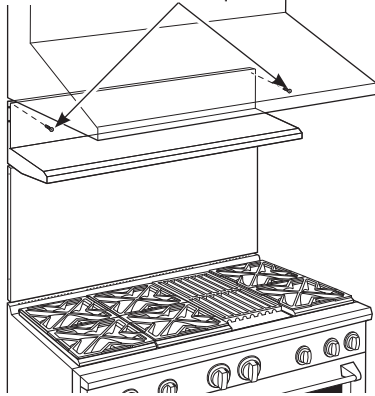
INSTALE LOS PANELES DE CUBIERTA

Ver el método alternativo si el acceso lateral se encuentra bloqueado.

- Sostenga la cubierta inferior sobre el soporte inferior mientras coloca un tornillo (provisto) sobre cada lado.
- Coloque la cubierta superior con estante sobre el soporte de pared superior. Si tiene acceso a los lados, fije el panel con dos tornillos de cada lado.
- Fije la cubierta superior con estante al soporte superior con tornillos a través de la parte frontal del panel, en las esquinas superiores. Utilice un tornillo en cada lado.



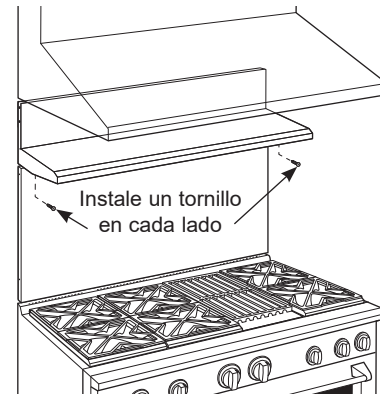
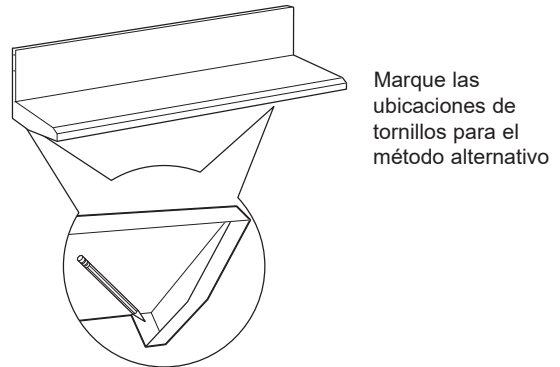
Instale tornillos en las esquinas



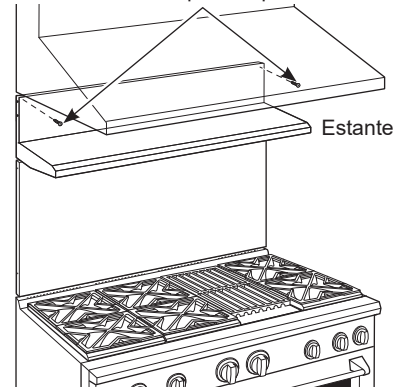
INSTALE LOS PANELES DE CUBIERTA (cont.)

MÉTODO ALTERNATIVO: Cuando el acceso lateral se encuentra bloqueado.

- Instale la cubierta inferior sobre el soporte inferior mientras coloca un tornillo sobre cada lado.
- Sostenga la cubierta superior en su lugar mientras marca las ubicaciones de los tornillos, apenas debajo del soporte de estante y sobre la cubierta inferior.
- Quite el estante y perforo un orificio de 9/64" de diámetro en las ubicaciones marcadas con lápiz.
- Monte la cubierta superior sobre el soporte superior y fije la cubierta frontal con tornillos a través de los orificios perforados sobre cada lado.
- Instale tornillos a través de cada esquina superior.



Instale un tornillo en la esquina superior de cada lado



Instrucciones de instalación

Conversión a Propano (LP) o a Gas Natural

⚠️ ADVERTENCIA Riesgo de Explosión

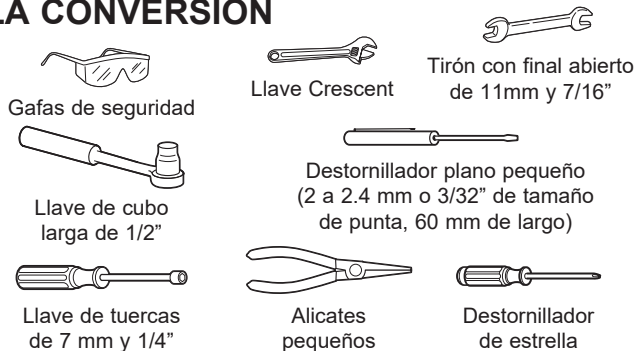
Se podrá producir la muerte o daños graves como resultado de no seguir estas instrucciones.

- Servicio técnico por parte de un técnico calificado del servicio únicamente
- Cierre la válvula de suministro y desconecte la corriente antes de realizar el servicio técnico.
- Vuelva a conectar todos los dispositivos de conexión a tierra luego de realizar el servicio técnico.
- Reemplace todas las piezas y paneles antes del uso.

El regulador de presión y los orificios del quemador están configurados de fábrica tanto para gas natural como para gas propano (LP), dependiendo del número de modelo. A fin de convertir a un gas diferente para el cual su regulador de presión fue configurado (gas natural o gas propano (LP)), los orificios del regulador o de los quemadores deberán ser convertidos.

⚠️ ADVERTENCIA No use la estufa ni los quemadores del horno de esta estufa antes de convertir el regulador de presión y los orificios de los quemadores al gas que será usado. Si no se cumple con esto, se podrán producir llamas altas y humos tóxicos que podrán producir lesiones graves.

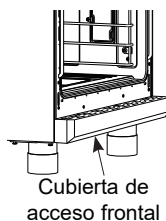
HERRAMIENTAS NECESARIAS PARA LA CONVERSIÓN



1 SOPORTE DE ORIFICIOS

El retenedor del orificio de la estufa se encuentra detrás del panel de acceso frontal en la base de la estufa. Retire la(s) puerta(s) (Consulte las instrucciones en la página 10) y los tornillos en la parte superior e inferior del panel de acceso frontal. Retire el panel de acceso frontal para lograr acceso al retenedor del orificio.

Podría haber orificios adicionales presentes. Use únicamente los orificios especificados en las instrucciones para su estufa u hornilla.

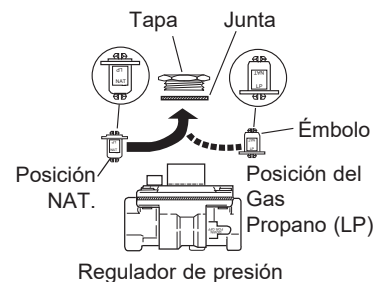


2 CONVIERTA EL REGULADOR

Desconecte el suministro de energía desde el interruptor de circuitos o la caja de fusibles.

- Corte el suministro de gas cerrando la válvula de apagado manual de la unidad o de la pared.
- Mueva la estufa para lograr acceso a la parte posterior de la unidad.
- Retire la parte posterior de la estufa para lograr acceso al regulador(es) - (1) en estufas de 30" y 36" y (2) en estufas de 48".
- Convierta el regulador de presión:

- Desenrosque la tapa del émbolo.
- Coloque el pulgar contra el lado plano del émbolo y presione hacia abajo para remover el émbolo de la tapa.
- Mire bien el émbolo para ubicar la posición NAT o propano (LP).
- Dé vuelta el émbolo para que el gas deseado se vea cerca de la parte inferior.
- Vuelva a colocar el émbolo en la tapa.
- Enrosque la tapa dentro del regulador.

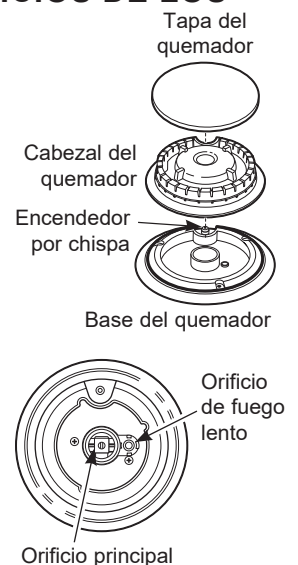


- Reverse estos pasos para volver a armar el regulador de presión.

3 CAMBIE LOS ORIFICIOS DE LOS QUEMADORES

CONSEJO DE INSTALACIÓN: Primero quite todos los orificios y luego comience a colocarlos de nuevo. Esto lo ayudará a evitar la posibilidad de que algunos no vuelvan a colocarse.

- Quite las rejillas de los quemadores, las tapas de los quemadores y cabezales de los quemadores.
- Afloje los orificios del quemador superior utilizando una llave de tuercas de 7 mm. Utilice alicates pequeños para quitar los orificios con mucho cuidado. El orificio principal se encuentra en la parte inferior del centro del quemador, mientras que el orificio de fuego lento se encuentra más arriba al lado del centro del quemador.

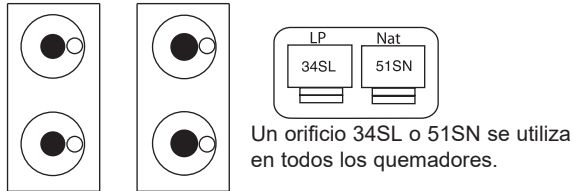


Instrucciones de instalación para conversión de gas

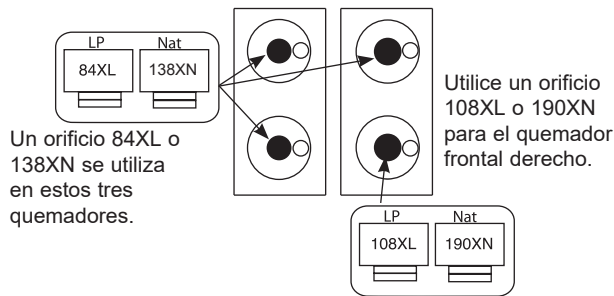
3 CAMBIE LOS ORIFICIOS DE LOS QUEMADORES (cont.)

IMPORTANTE: Busque el número de modelo a continuación. Lea cada etiqueta de los orificios para identificarlos e instalarlos en las ubicaciones precisas que se muestran.

Modelos de 30" - ORIFICIOS DE FUEGO LENTO

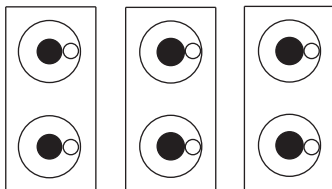
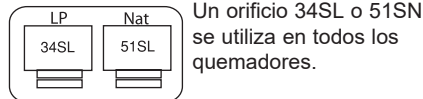


Modelos de 30" - ORIFICIOS PRINCIPALES



Modelos de 36" y 48"

ORIFICIOS DE FUEGO LENTO



ORIFICIOS PRINCIPALES



- Coloque los orificios sin usar de vuelta en el soporte. Vuelva a instalar el soporte y la hoja de instrucciones con el tornillo en la ubicación de almacenamiento original.
- Reemplace los cabezales, las tapas y las rejillas superiores. En los modelos de cocina, reemplace el reborde de ventilación trasero.

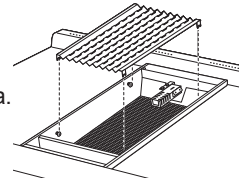
4 CAMBIE EL ORIFICIO DE LA PARRILLA (si corresponde)

Ubique el orificio de parrilla de 1-1/2" de longitud. Seleccione el tipo de gas.

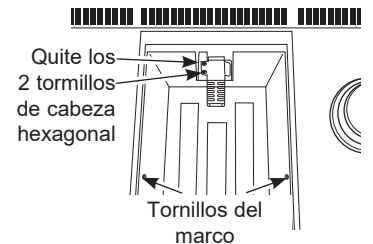


4 CAMBIE EL ORIFICIO DE LA PARRILLA (cont.)

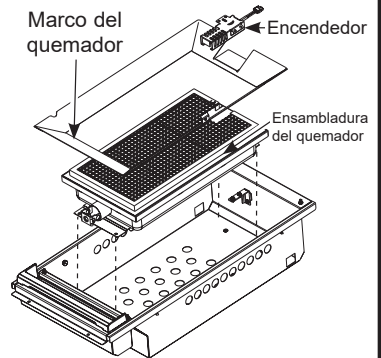
- Quite la tapa de la parrilla, las rejillas y el armazón de la rejilla. Levante el deflector radiante hacia arriba y afuera.
- Quite los 2 tornillos de cabeza hexagonal de la parte superior del encendedor.



- Saque un tornillo de cada lado del marco del quemador.
- Levante el marco.



- Cuidadosamente, empuje el encendedor hacia un costado debajo del quemador. No hale del cable ni lo pellizque. Saque 4 tornillos de sujeción del quemador, 2 en el frente y 2 en la parte trasera. Deslice la ensambladura del quemador hacia atrás y fuera de la entrada de gas.



- Utilice una llave de cubo larga de 1/2" para sacar y reemplazar el orificio. Invierta estos pasos para volver a montar la parrilla.

Asegúrese de colocar el orificio sin usar en el soporte para posibles usos futuros.

- Ajuste la Configuración de la Parrilla en "LO" (Bajo)

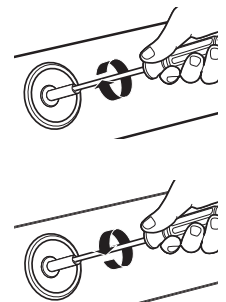
- Asegúrese de que la conexión de gas y electricidad a la unidad estén cerradas.

- Gire la perilla de la parrilla a LO (Bajo) y retire la perilla empujando hacia afuera.

- Inserte un destornillador pequeño de punta plana en el agujero en el centro del vástago de la válvula para colocar el tornillo correspondiente.

- Para convertir la configuración LO (Bajo) de gas natural a gas propano (LP), Gire el tornillo en dirección de las agujas del reloj hasta que se detenga (aproximadamente 3/4 de giro). Es posible que sea necesario tomar la parte exterior del vástago de la válvula con un par de pinzas, a fin de evitar que el vástago de la válvula rote a medida que el tornillo es ajustado.

- Para convertir la configuración LO (Bajo) de gas propano (LP) a gas natural, gire el tornillo en dirección contraria a las agujas del reloj aproximadamente 3/4 de giro.



Instrucciones de instalación para conversión de gas

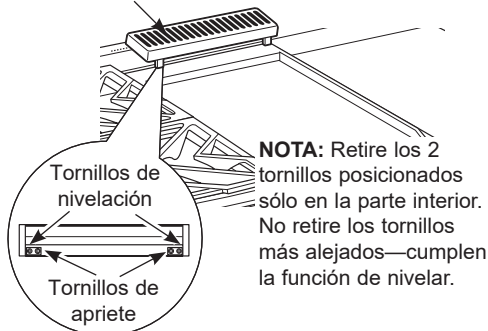
5 CAMBIE EL ORIFICIO DE LA PLANCHA (si corresponde)

Ubique el orificio de la plancha de 3/4" de longitud. Seleccione el tipo de gas.



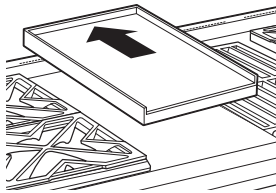
- A. Levante la tapa de ventilación de la plancha. Retire los 2 tornillos interiores de apriete.

Tapa de ventilación de la plancha

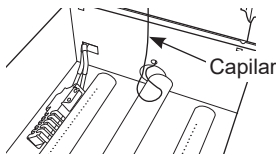


NOTA: Retire los 2 tornillos posicionados sólo en la parte interior. No retire los tornillos más alejados—cumplen la función de nivelar.

- B. Retire la canaleta para grasa de hierro fundido. Deslice la plancha hacia atrás y fuera de las lengüetas de sujeción a lo largo de la parte inferior.



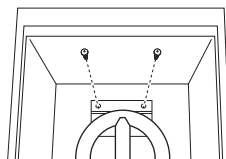
- C. Con cuidado levante y sostenga la plancha mientras agrega longitud desde el capilar al orificio de entrada. Sostenga la plancha en el extremo del cárter para grasa.



- D. Retire los 2 tornillos de sujeción en la parte trasera del quemador.

Quite el quemador empujando hacia atrás y afuera de la entrada de gas.

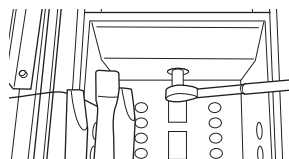
Trasera de la cocina



- E. Use la llave de cubo larga de 1/2" para retirar y reemplazar el orificio.

Realice los pasos hacia atrás para volver a ensamblar la plancha. Vuelva a colocar el capilar excesivo nuevamente en el orificio de entrada. Coloque el orificio no utilizado en el soporte para posibles usos futuros.

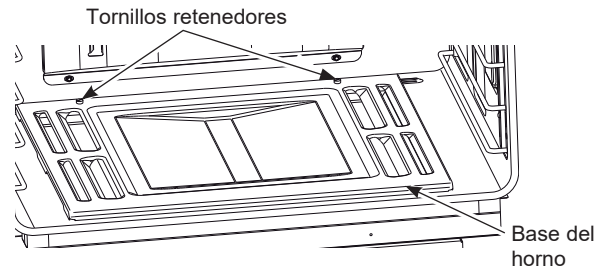
Fronte de la cocina



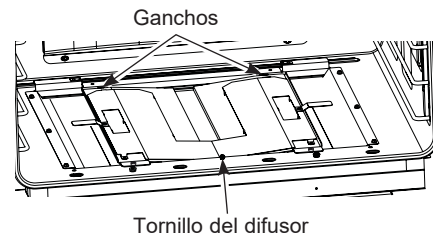
6A CAMBIE EL ORIFICIO DEL QUEMADOR DE HORNEAR PRINCIPAL

Localice el orificio del quemador de hornear de 3/4" de largo. Seleccione el tamaño de orificio correcto para su gas y quemador en la tabla de conversión.

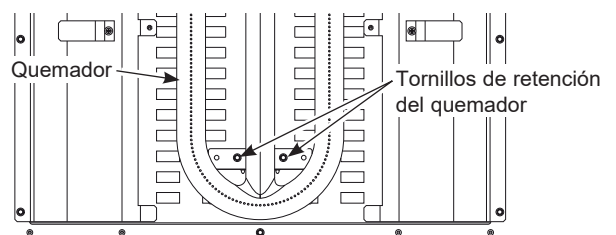
- A. Retire la puerta del horno y coloque a un lado en un lugar seguro.
B. Retire los dos tornillos de sostienen la base del horno de la parte trasera de la cubierta.



- C. Deslice la base del horno hacia el frente y ponga a un lado.
D. Retire el tornillo del difusores del quemador.

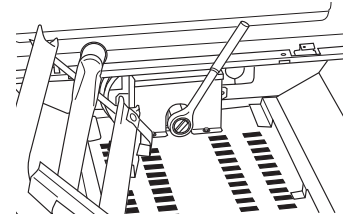


- E. Levante el frente del difusor del quemador ligeramente y deslice hacia adelante para liberar los ganchos en la parte posterior. Coloque el difusor del quemador a un lado.



- F. Retire los dos tornillos de retención del quemador.
G. Levante el frente del quemador ligeramente y deslice hacia adelante para ponerlo a un lado (con cuidado de no dañar la ignición).
H. Use una llave de copa de 1/2" para retirar y reemplazar el orificio.

- I. Invierta estos pasos para reajustar el quemador y las piezas del horno. Coloque el orificio no utilizado en el retenedor para posible uso futuro.

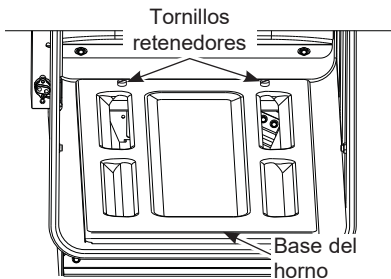


Instrucciones de instalación para conversión de gas

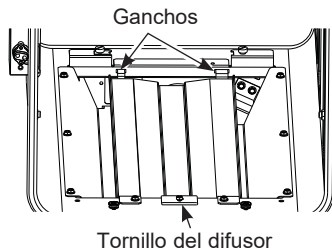
6B CAMBIE EL ORIFICIO DEL QUEMADOR DE HORNEAR ACOMPAÑANTE (SI LO HAY)

Localice el orificio quemador de hornear de $\frac{3}{4}$ " de largo. Seleccione el tamaño correcto de orificio para su gas y quemador en la tabla de conversión.

- A. Retire la puerta del horno y coloque a un lado en un lugar seguro.
- B. Retire los dos tornillos retenedores de la base del horno de la parte posterior de la cubierta.



- C. Deslice la base del horno hacia el frente y coloque a un lado.
- D. Retire el tornillo del difusor del quemador.



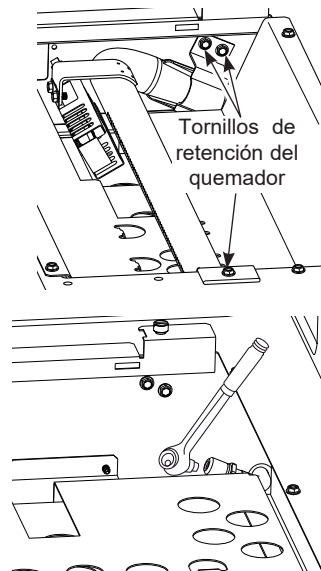
- E. Levante el frente del difusor del quemador ligeramente y deslice hacia adelante para liberar los ganchos en la parte posterior. Coloque el difusor del quemador a un lado.

- F. Retire los tres tornillos de retención del quemador (1 al frente y 2 atrás).

- G. Levante el frente del quemador ligeramente y deslice hacia adelante para quitar.

- H. Use una llave de copa de $\frac{1}{2}$ " para retirar y reemplazar el orificio.

- I. Invierta estos pasos para reajustar el quemador y las piezas del horno. Coloque el orificio no utilizado en el retenedor para posible uso futuro.

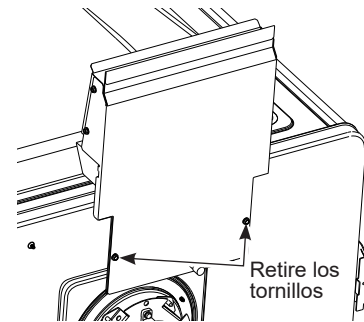


7 CAMBIE EL ORIFICIO DEL QUEMADOR ASADOR PRINCIPAL/ACOMPAÑANTE

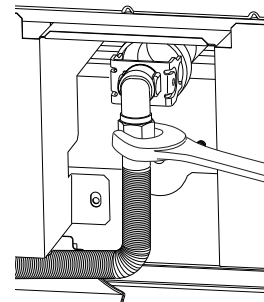
Localice el orificio del quemador asador. Seleccione el tamaño correcto de orificio para su gas y quemador en la tabla de conversión.

La cubierta posterior deberá continuar retirada de la conversión del regulador(es). Consulte la sección 2 para los detalles si no es así.

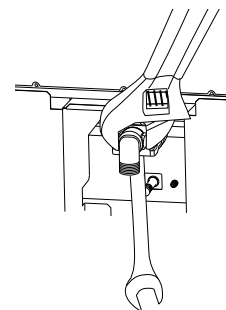
- A. Retire los dos tornillos de retención de la cubierta del ducto del asador. Levante y deslice para quitar.



- B. Afloje y retire la tuerca del tubo de suministro del asador que se encuentra en el retenedor del orificio del asador.



- C. Use una llave ajustable y una llave estriada de $\frac{7}{16}$ " (11 mm) para aflojar, quitar y reemplazar el orificio del asador.

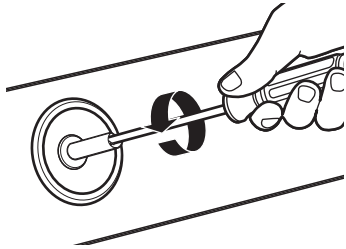


- D. Invierta estos pasos para reajustar el quemador para asar. Coloque el orificio no usado en el retenedor para un posible uso futuro.

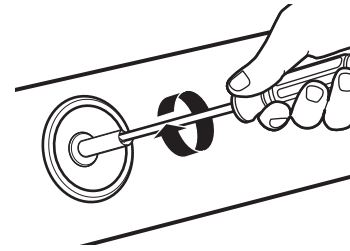
Instrucciones de instalación para conversión de gas

8 AJUSTE LAS VÁLVULAS DEL QUEMADOR SUPERIOR

- A. Encienda el gas. Enchufe el cable eléctrico.
- B. Ajuste la configuración de la fila superior de llamas de cada quemador para gas propano (LP) del siguiente modo. Retire la perilla empujando en dirección hacia usted. Inserte un destornillador pequeño de punta plana en el agujero que se encuentra en el centro del vástago de la válvula para colocar el tornillo correspondiente.



Si hará la conversión a Gas Propano (LP), gire el tornillo en dirección de las agujas del reloj hasta que se detenga (aproximadamente $\frac{3}{4}$ de giro). Repita con cada válvula.



Si hará la conversión a gas natural, ajuste las válvulas girando el tornillo en dirección contraria a las agujas del reloj, aproximadamente $\frac{1}{2}$ giro. Repita esto con cada válvula.

- C. Reemplace las perillas. Encienda todos los quemadores en la configuración más alta y controle las llamas. Tienen que ser de color azul. Cuando utilice gas propano (LP), las llamas pueden tener puntas amarillas. Partículas extrañas en la línea de gas pueden provocar una llama anaranjada al comienzo, pero esto desaparecerá rápidamente.
- D. Gire la perilla del quemador de la estufa a "LO" (bajo) mientras observa la llama. Las llamas deberán quemar de forma pareja y sin intermitencias.

CALIFICACIONES DE SALIDA DEL QUEMADOR: BTU/HR

Gas NG (Natural), 5" W.C.P.				
MODELO	QUEMADOR	CALIFICACIÓN BTU	TAMAÑO ORIFICIO	ID
48" 36"	QUEMADORES TODA SUPERFICIE Principal Fuego lento	16,800	0.075" (1.90mm)	190XN
		1,200	0.002" (0.51mm)	51SL
30"	QUEMADOR RF Principal Fuego lento	16,800	0.075" (1.90mm)	190XN
		1,200	0.002" (0.51mm)	51SN
30"	RR, LR, LF Principal Fuego lento	8,800	0.050" (1.26mm)	126HXN
		1,200	0.002" (0.51mm)	51SN
Todos	PARRILLA	15,000	0.0689" (1.75mm)	0.069
Todos	PLANCHA	18,000	0.076" (1.93mm)	0.076
48" 36"	HORNEAR PRINCIPAL	24,500	0.0886" (2.25mm)	0.089
30"	HORNEAR PRINCIPAL	23,500	0.0866" (2.20mm)	0.087
48"	HORNEAR ACOMPAÑANTE	10,500	0.0531" (1.35mm)	0.053
Todos	ASAR PRINCIPAL	12,500	0.063" (1.60mm)	160
48"	ASAR ACOMPAÑANTE	9,000	0.052" (1.32mm)	132

Gas NG (Natural), 5" W.C.P. (Presión de Columna de Agua)				
MODELO	QUEMADOR	CALIFICACIÓN BTU	TAMAÑO ORIFICIO	ID
48" 36"	QUEMADORES TODA SUPERFICIE Principal Fuego lento	13,800	0.043" (1.08mm)	108XL
		1,200	0.013" (0.34mm)	34SL
30"	QUEMADOR RF Principal Fuego lento	13,800	0.043" (1.08mm)	108XL
		1,200	0.013" (0.34mm)	34SL
30"	RR, LR, LF Principal Fuego lento	7,900	0.033" (0.84mm)	84XL
		1,200	0.013" (0.34mm)	34SL
Todos	PARRILLA	14,000	0.047" (1.19mm)	0.047
Todos	PLANCHA	16,000	0.047" (1.19mm)	0.047
48" 36"	HORNEAR PRINCIPAL	23,000	0.055" (1.397mm)	0.055
30"	HORNEAR PRINCIPAL	21,500	0.0531" (1.35mm)	0.053
48"	HORNEAR ACOMPAÑANTE	10,000	0.0374" (0.95mm)	0.037
Todos	ASAR PRINCIPAL	11,500	0.041" (1.04mm)	104
48"	ASAR ACOMPAÑANTE	9,000	0.0360" (0.91mm)	91

Una vez que la conversión se haya finalizado y controlado, llene la etiqueta de la conversión y fijela cerca de la etiqueta de clasificación. Para cocinas, coloque la etiqueta debajo del panel de control. Para estufas, coloque la etiqueta en la parte inferior de la unidad.

Notas

NOTE: While performing installations described in this book, safety glasses or goggles should be worn.

NOTE: Product improvement is a continuing endeavor at GE Appliances. Therefore, materials, appearance and specifications are subject to change without notice.