

DIMENSIONS AND INSTALLATION INFORMATION
(IN INCHES)

THIS VENT HOOD IS DESIGNED TO BE INSTALLED ON A WALL AND VENTED TO THE OUTDOORS, OR IT CAN BE INSTALLED FOR RECIRCULATING OPERATION. ALL NECESSARY PARTS FOR RECIRCULATING OPERATION ARE SUPPLIED WITH THE HOOD. NO KITS REQUIRED. MUST USE AN 8" ROUND DUCT, NOT SUPPLIED WITH PRODUCT.

A decorative duct cover is provided to enclose the duct from the top of the hood to a 8' to 10' ceiling.

ACCESSORIES

An optional stainless steel duct cover is available for 12' ceiling heights. Order ZX83012 optional duct cover at the same time as the vent hood and have on site before installation.

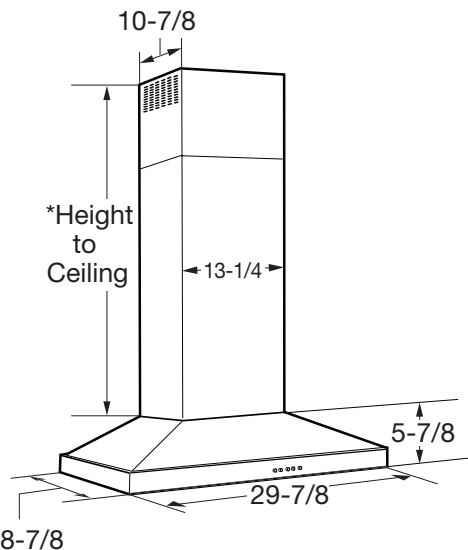
DIMENSIONS AND CLEARANCES

The vent hood should be installed 24" min. and 30" max. above the cooking surface. The cooking surface should be at least 36" above the floor. Installation will be easier if the vent hood is installed before the range or cooktop/ countertop is installed.

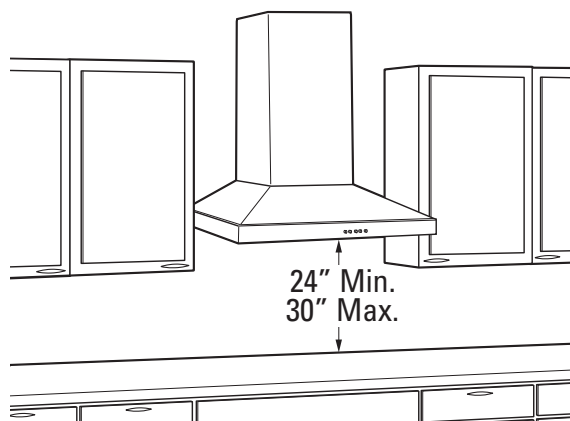
This hood can be installed over a Monogram electric or gas cooktop. It cannot be installed over a Monogram professional cooktop or range.

INSTALLATION INFORMATION

Before installing, consult installation instructions packed with product or available on monogram.com for current dimensional data.



*The Supplied Duct Cover Fits 8' to 10' Ceiling Heights.



FEATURES AND BENEFITS

STAINLESS STEEL DESIGN

Creates a striking architectural impression with bold angles and smoothly finished edges

POWERFUL VENTILATION

Offers three speeds plus a 420-cfm boost to capture cooking fumes produced by 30" cooktops

PERIMETER FILTER SYSTEM

Draws fumes and vapors around a stainless steel center panel, which completely and stylishly conceals filters

HALOGEN LIGHTING

Provides four levels of clean, brilliant illumination to suit the cooking task or occasion

RECIRCULATING-READY DESIGN

Includes reversible duct covers for non-vented installations, eliminating the need for an optional kit

