



FLEXLOK+

FlexLok+ tab system virtually eliminates harmful VOC's, this odorless dry installation system can be used in place of the traditional wet spread adhesives method. This system is performance without compromise and can be installed on any substrate. FlexLok provides a faster install with the flexibility of a floating modular floor with no glue.



PERFORMANCE

- Exceeds all performance expectations without compromise
- FlexLok+ works with all Mohawk modular products with the exception of Walk Off Tile and EcoFlex Air products

SUSTAINABILITY

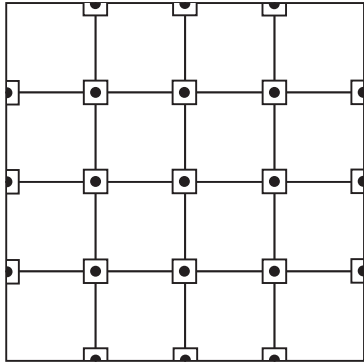
- HPD and CRI Green Label Certified
- Minimal VOCs for increased indoor air quality

INSTALLATION

- Install a flexible floating floor, no glue on the subfloor
- Install on any substrate (VCT, wood, etc.)
- FlexLok+ adhesive will not dry out so installation can be installed at your own pace
- Can be installed as long as there are no visible signs of moisture



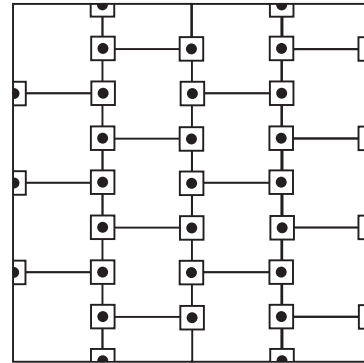
Install Methods – Tile 24x24



Quarter Turn, Monolithic, and Multi-Directional

Lay anchor rows and place a FlexLok+ tab at every joint. Install remaining carpet tiles using a step method, placing FlexLok+ tabs at each joint. Place a FlexLok+ tab at every joint around the perimeter of the room.

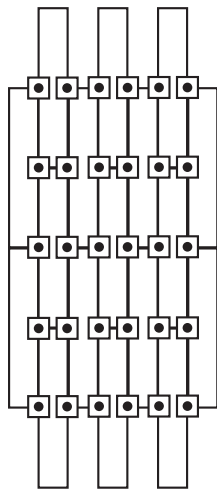
Install Methods – Tile 24x24



Brick and Ashlar

Lay anchor rows and place a FlexLok+ tab at every joint. Install remaining carpet tiles, placing FlexLok+ tabs as illustrated in the diagram. Place a FlexLok+ tab at every joint around the perimeter of the room.

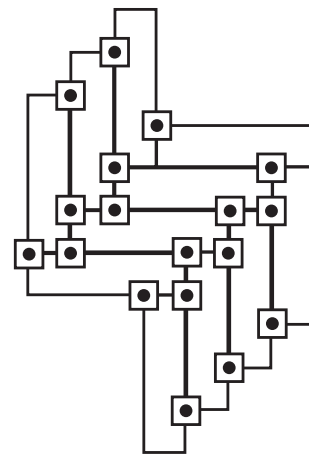
Install Methods – Plank 12x36



All Install Methods

Lay anchor rows and place a FlexLok+ tab at every joint. Install carpet using a step method placing a FlexLok+ tab at every corner.

Install Methods – Plank 12x36



All Install Methods

Must be used in middle of length as well as four corners.

NOTE: Included above are recommended methods of installation most frequently used. Additional installation methods may be available based on product selection.