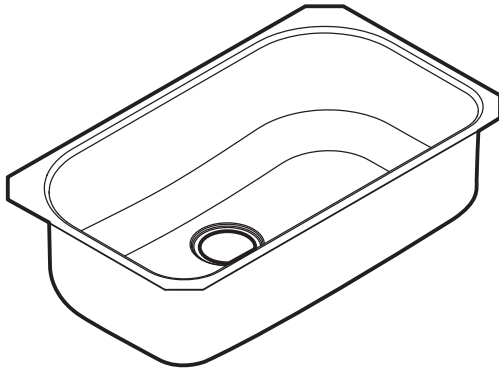




Buy it for looks. Buy it for life.®



# Specifications

Model Number	Depth-Inches	Drain Placement	Model Specified
G18165	9	Rear	
G18163	7	Rear	

## SINK DESCRIPTION

- 18 gauge stainless steel
- 1800 series single bowl undermount sink
- Rear drain location
- Mounting brackets included, other standard mounting hardware and silicone sealant not included
- SoundSHIELD sound absorbing system

## CUT OUT DIMENSIONS

- Cut out template available to download at moen.com
- Template included - template number 22511

## STANDARDS

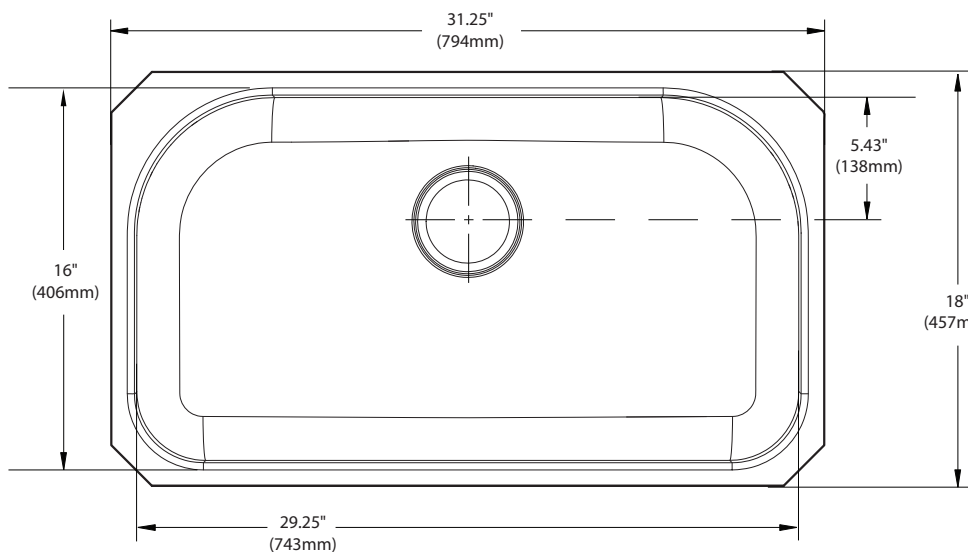
- Third party certified by IAPMO to meet ASME A112.19.3/CSA B45.4 and all applicable specifications referenced

## WARRANTY

- Limited lifetime warranty against material or manufacturing defects to the original consumer purchaser

## CRITICAL DIMENSIONS

(DO NOT SCALE)



MADE IN THE USA

## Installation Detail

