

### DESCRIPTION

- Non-metallic construction with various finishes identified by suffix
- Double check valve in handle

### OPERATION

- Single-function, full spray

### FLOW

- Limited to 1.75 gpm (6.7 L/min) max.

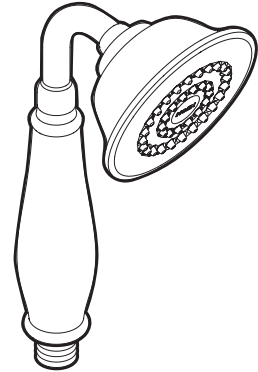
### STANDARDS

- Third party certified to WaterSense®, ASME A112.18.1/CSA B-125.1 and all applicable specifications referenced therein

### WARRANTY

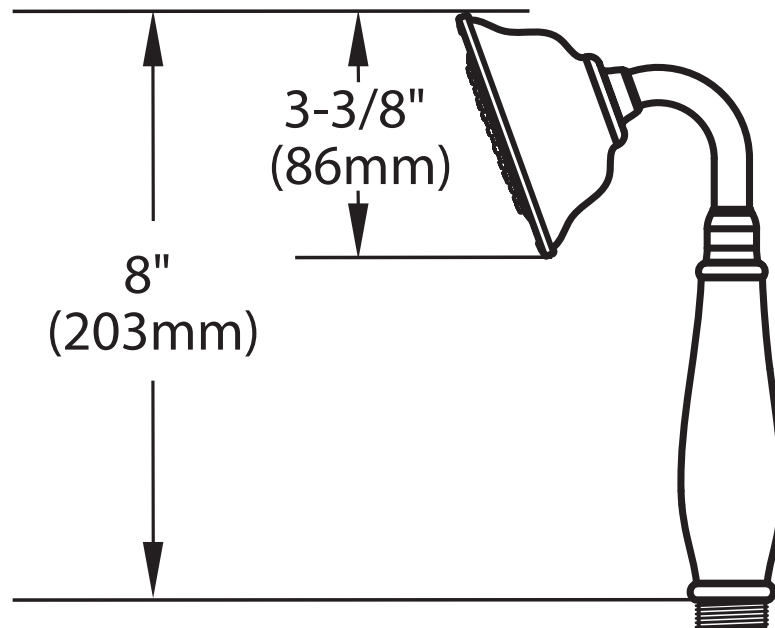
- Lifetime limited warranty against leaks, drips and finish defects to the original homeowner
- 10 year limited warranty when used in a multifamily installation
- 5 year limited warranty when used in a commercial installation

Visit [www.moen.com/support](http://www.moen.com/support) for complete details and limitations



**HAND SHOWER**

**Model:** 154305 series



### CRITICAL DIMENSIONS

(DO NOT SCALE)