

**DESCRIPTION**

- Solid brass construction
- Various finishes identified by suffix
- 3/8" compression x 15" stainless steel supply lines

**OPERATION**

- Lever style handle
- Temperature controlled by 110° arc of handle travel

**FLOW**

- Standard aerator is limited to 2.2 gpm max (8.3 L/min)

**CARTRIDGE**

- Ceramic disc cartridge with temperature limit stop
- Nonmetallic/nonferrous and ceramic material

**STANDARDS**

- Third party certified to meet WaterSense® (only applies to 1.5 gpm), ASME A112.18.1/CSA B-125.1 and all applicable requirements referenced therein
- Certified to ANSI/NSF 61/9
- Contains no more than 0.25% weighted average lead content
- Complies with California Proposition 65 and with the Federal Safe Drinking Water Act
- **ADA** for lever handles

**WARRANTY**

- Warranted for 5 years against material or manufacturing defects

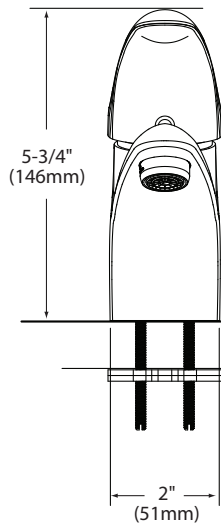
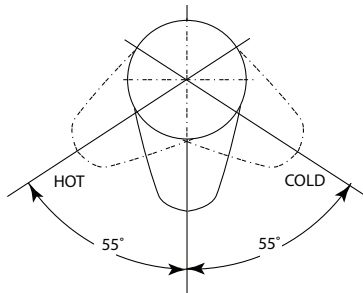
**Single-Handle Lavatory Faucet With Metal Drain Assembly**

MODEL	FLOW (gpm)	DRAIN	FINISH	WATERSENSE CERTIFIED
8417	2.2	Without	Chrome	
8417F15	1.5	Without	Chrome	x
8417F05	0.5	Without	Chrome	
8417F03	0.35	Without	Chrome	
8419	1.5	Metal	Chrome	x
8419F05	0.5	Metal	Chrome	
8419BC	1.5	Metal	Brushed Chrome	x

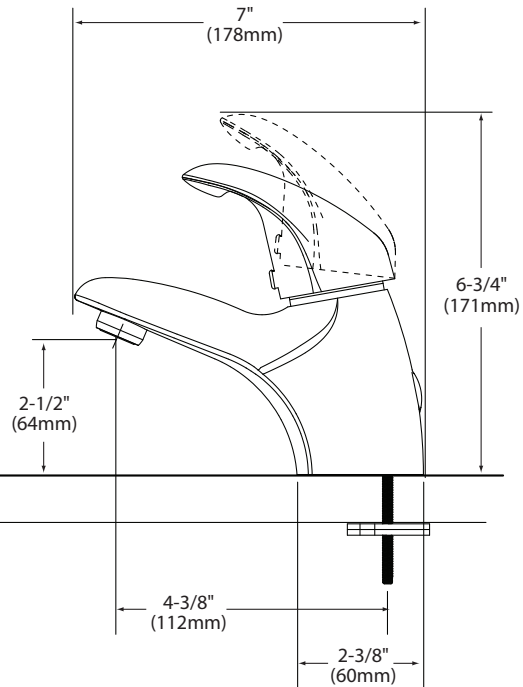


See table above

**NOTE:** Designed to be installed through 1 hole 1-3/8" min. dia.



1-1/2" MAX. (38mm)



**CRITICAL DIMENSIONS**

(DO NOT SCALE)