

DESCRIPTION

- Brass construction with chrome plated finish
- 8" widespread
- 1/2" IPS connections
- Vandal resistant torx head screws
- Vandal resistant aerator
- Without drain

OPERATION

- Wrist blade handles with hot and cold color indicators

FLOW

- Standard aerator is limited to 2.2 gpm max. (8.3 L/min)

CARTRIDGE

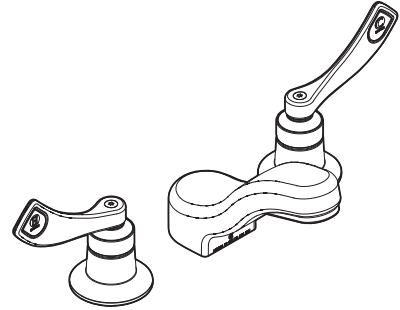
- Brass shell, ceramic disc cartridge
- 1/4 turn operation

STANDARDS

- Third party certified to WaterSense® (only applies to 1.5 gpm), ASME A112.18.1/CSA B125.1, and all applicable requirements referenced therein including NSF 61/9
- Contains no more than 0.25% weighted average lead content
- Complies with California Proposition 65 and with the Federal Safe Drinking Water Act
- **ADA** for lever handles

WARRANTY

- Warranted for 5 years against material or manufacturing defects

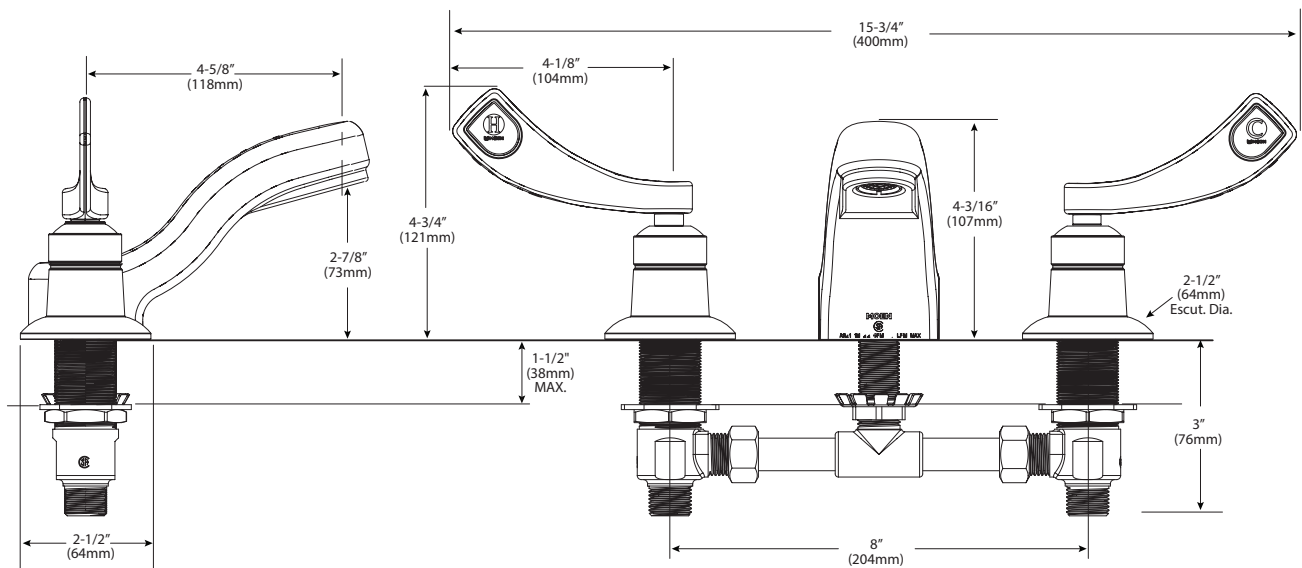


Two-Handle Lavatory Faucet		
MODEL	FLOW (gpm)	WATERSENSE CERTIFIED
8228	2.2	
8228F15	1.5	X
8228F05	0.5	
8228F03	0.35	



See table above

NOTE: Designed to be installed through 3 holes - 1-1/16" min. dia.



CRITICAL DIMENSIONS

(DO NOT SCALE)