

Brantford™ Technical Specification

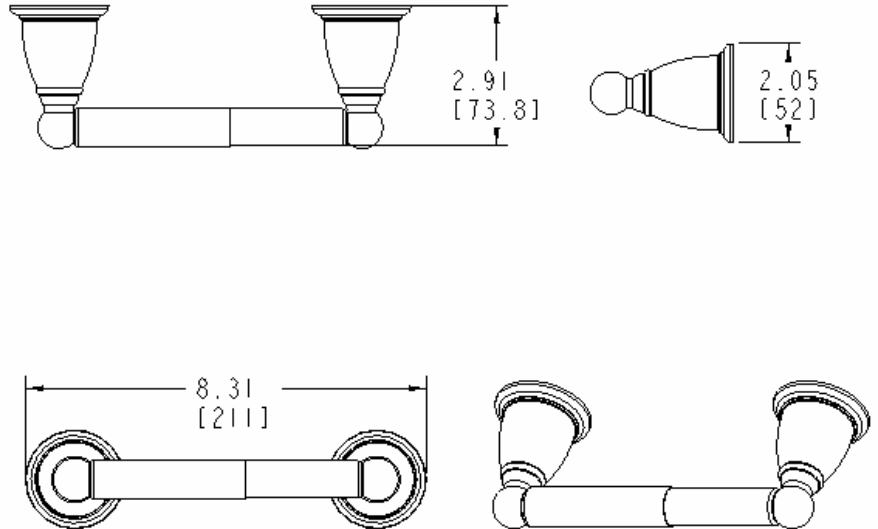
Paper Holder

YB2208

Stock Numbers:

- q **YB2208BN – Paper Holder**
Brushed Nickel Finish
- q **YB2208CH – Paper Holder**
Chrome Finish
- q **YB2208ORB – Paper Holder**
Oil Rubbed Bronze Finish

Dimensions:



Materials:

Paper Holder is constructed of zinc.

Installation Instructions:

Directions below are for installation into drywall. If installing product into a stud, use the wood screws only.

1. The center to center measurement for this product is 6 ¼”.
2. Mark this distance on the wall where you want to install the product.
3. Use a level to ensure that the pilot holes will be perfectly level.
4. Using ¼” drill bit, drill one pilot hole for each post.
5. Position mounting posts to wall by inserting wall anchors into pilot holes and pressing firmly. (Make sure that locking tab on mounting post is facing down.)
6. Tighten wall anchor screw while holding mounting post firmly in place. Tighten anchor until resistance increases. DO NOT over tighten.
7. Using tip of screw bit press wall spikes (metal pieces on outer edge of mounting post) into drywall.
8. Towel bar must be attached to mounting posts as a unit – insert towel bar into each post.
9. Attach posts by pressing firmly to mounting posts until it clicks. (The square opening at the base of the post must be facing down to match-up with locking tab).

Cleaning Instructions:

To preserve the fine finish of this product, clean only with a soft damp cloth. Dry well. Do not use commercial or abrasive cleaners.

Stock Number: _____ **Paper Holder**
By Creative Specialties



25300 AL MOEN DRIVE • NORTH OLMS TED, OH 44070
CORPORATE HEADQUARTERS: (800) 321-8809 • FAX: (800) 848-6636
INTERNATIONAL: (440) 962-2000 • FAX: (440) 962-2726
CUSTOMER SERVICE (USA): 800-882-0116 • FAX: (888) 379-2720
WWW.CSI.MOEN.COM

©Copyright Creative Specialties International 2006

Literature #BA1395

Brantford™ Technical Specification

18" & 24" Towel Bar

YB2218 & YB2224

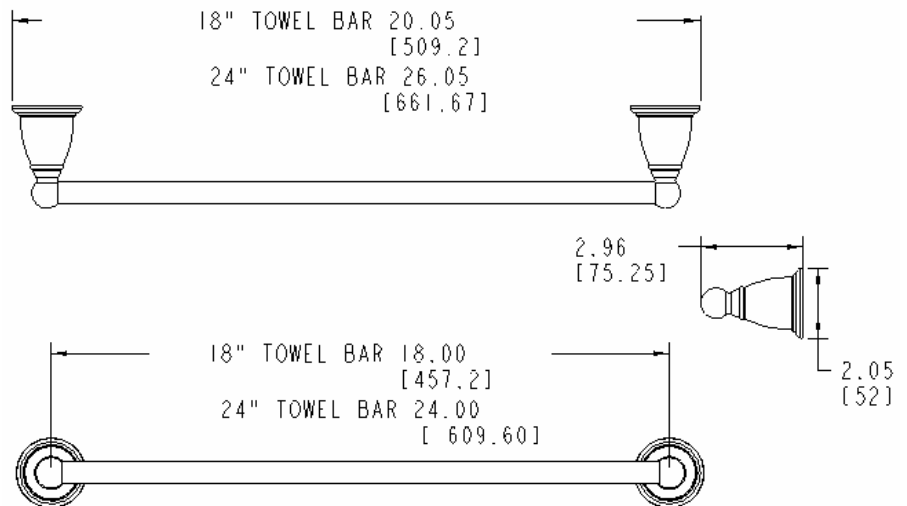
Stock Numbers:

- q **YB2218BN – 18" Towel Bar**
Brushed Nickel Finish
- q **YB2224BN – 24" Towel Bar**
Brushed Nickel Finish
- q **YB2218CH – 18" Towel Bar**
Chrome Finish
- q **YB2224CH – 24" Towel Bar**
Chrome Finish
- q **YB2218ORB – 18" Towel Bar**
Oil Rubbed Bronze Finish
- q **YB2224ORB – 24" Towel Bar**
Oil Rubbed Bronze Finish

Materials:

Towel Bar posts are constructed of zinc. Bar is aluminum.

Dimensions:



Installation Instructions:

Directions below are for installation into drywall. If installing product into a stud, use the wood screws only.

1. Mark the appropriate distance for your towel bar on the wall where you want to install the product.
2. Use a level to ensure that the pilot holes will be perfectly level.
3. Using 1/4" drill bit, drill one pilot hole for each post.
4. Position mounting posts to wall by inserting wall anchors into pilot holes and pressing firmly. (Make sure that locking tab on mounting post is facing down.)
5. Tighten wall anchor screw while holding mounting post firmly in place. Tighten anchor until resistance increases. DO NOT over tighten.
6. Using tip of screw bit press wall spikes (metal pieces on outer edge of mounting post) into drywall.
7. Towel bar must be attached to mounting posts as a unit – insert towel bar into each post.
8. Attach posts by pressing firmly to mounting posts until it clicks. (The square opening at the base of the post must be facing down to match-up with locking tab).

Cleaning Instructions:

To preserve the fine finish of this product, clean only with a soft damp cloth. Dry well. Do not use commercial or abrasive cleaners.

Stock Number: _____ **Towel Bar**
By Creative Specialties



25300 AL MOEN DRIVE • NORTH OLMSTED, OH 44070
CORPORATE HEADQUARTERS: (800) 321-8809 • FAX: (800) 848-6636
INTERNATIONAL: (440) 962-2000 • FAX: (440) 962-2726
CUSTOMER SERVICE (USA): 800-882-0116 • FAX: (888) 379-2720
WWW.CSI.MOEN.COM

©Copyright Creative Specialties International 2006

Literature #BA1396

Brantford™ Technical Specification

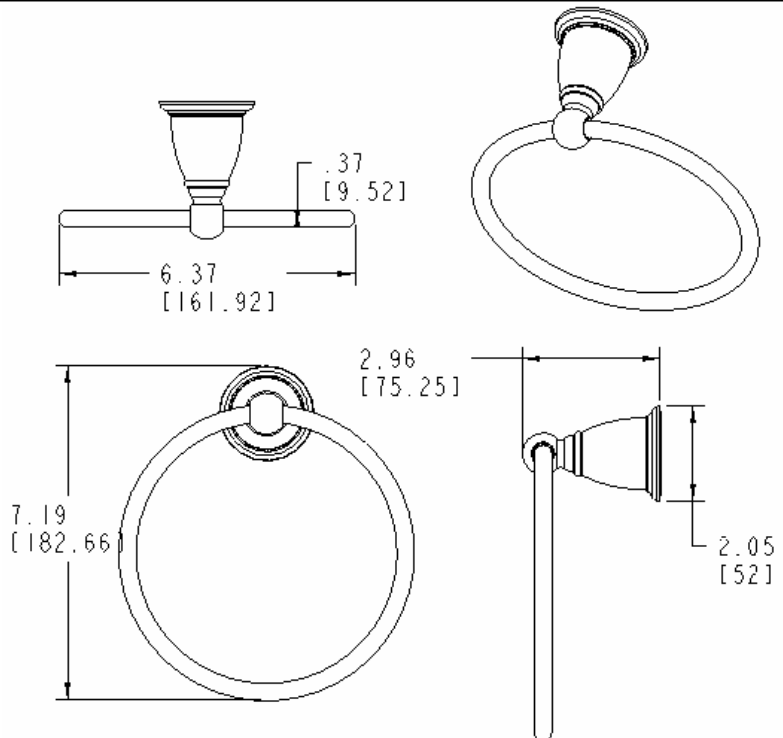
Towel Ring

YB2286

Stock Numbers:

- q **YB2286BN – Towel Ring**
Brushed Nickel Finish
- q **YB2286CH – Towel Ring**
Chrome Finish
- q **YB2286ORB – Towel Ring**
Oil Rubbed Bronze Finish

Dimensions:



Materials:

Towel Ring post is constructed of zinc. Ring is aluminum.

Installation Instructions:

Directions below are for installation into drywall. If installing product into a stud, use the wood screws only.

1. Using ¼" drill bit, drill one pilot hole for post.
2. Position mounting post to wall by inserting wall anchor into pilot hole and pressing firmly.
3. Make sure that locking tab on mounting post is facing down.
4. Tighten wall anchor screw while holding mounting post firmly in place. Tighten anchor until resistance increases. DO NOT over tighten.
5. Using tip of screw bit press wall spikes (metal pieces on outer edge of mounting post) into drywall.
6. Attach post by pressing firmly to mounting post until it clicks. (The square opening at the base of the post must be facing down to match-up with locking tab).

Cleaning Instructions:

To preserve the fine finish of this product, clean only with a soft damp cloth. Dry well. Do not use commercial or abrasive cleaners.

Stock Number: _____ **Towel Ring**
By Creative Specialties



25300 AL MOEN DRIVE • NORTH OLMSTED, OH 44070
CORPORATE HEADQUARTERS: (800) 321-8809 • FAX: (800) 848-6636
INTERNATIONAL: (440) 962-2000 • FAX: (440) 962-2726
CUSTOMER SERVICE (USA): 800-882-0116 • FAX: (888) 379-2720
WWW.CSI.MOEN.COM

©Copyright Creative Specialties International 2006

Literature #BA1397

Brantford™ Technical Specification

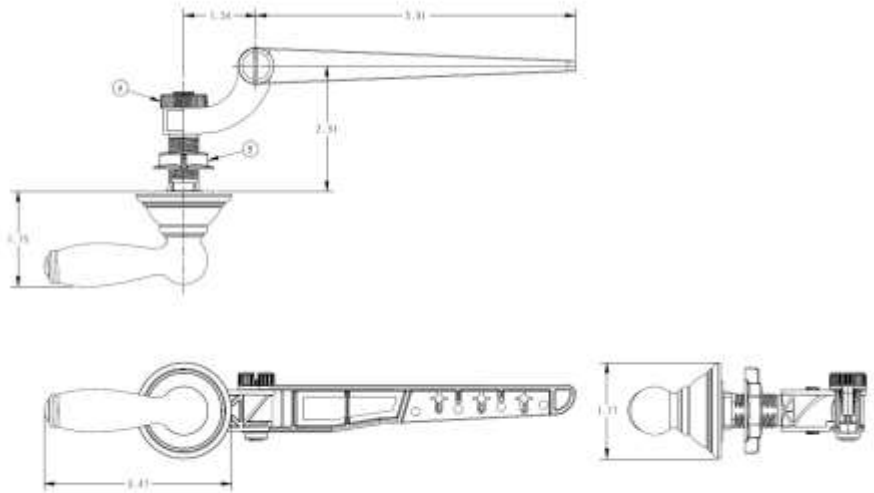
Tank Lever

YB2201

Stock Numbers:

- ❑ **YB2201BN – Tank Lever**
Brushed Nickel Finish
- ❑ **YB2201CH – Tank Lever**
Chrome Finish
- ❑ **YB2201ORB – Tank Lever**
Oil Rubbed Bronze Finish

Dimensions:



Materials:

Tank Lever is constructed of zinc. The arm mechanism is constructed of plastic.

Installation Instructions:

1. Remove existing tank lever.
2. Remove the arm mechanism from the new tank lever by loosening nut (A).
3. Unscrew the tank nut (B). The thread for the tank nut is a left handed thread.
4. Position the new tank lever through the tank hole. The tank lever handle should be pointing away from the toilet bowl.
5. Tighten nut (B). Depending on the curvature of the tank, there might be a slight gap between the outside of the tank and the base of the lever.
6. Place the arm mechanism on the tank lever post. Adjust the arm up or down as needed. Tighten nut (A) to secure the arm in place.
7. Adjust the arm mechanism from side to side as needed. Make sure the arm does not come into contact with the tank wall or the flush mechanism. Tighten screw (A) to lock the arm in place.
8. Attach the flapper valve chain to one of the provided slots on the arm. Be sure to eliminate any slack in the chain.
9. Make sure no water is leaking through the flapper when the handle is in its normal position (not flushing)

Cleaning Instructions:

To preserve the fine finish of this product, clean only with a soft damp cloth. Dry well. Do not use commercial or abrasive cleaners.

Stock Number: _____ **Tank Lever**
By Creative Specialties



25300 AL MOEN DRIVE • NORTH OLMSTED, OH 44070
CORPORATE HEADQUARTERS: (800) 321-8809 • FAX: (800) 848-6636
INTERNATIONAL: (440) 962-2000 • FAX: (440) 962-2726
CUSTOMER SERVICE (USA): 800-882-0116 • FAX: (888) 379-2720
WWW.MOEN.COM

©Copyright Creative Specialties International

Literature # BA1393