

TWO-HANDLE ROMAN TUB VALVE

MODEL 4793

HELP LINE

STOP Please do not return this product to the store.

If you need installation assistance, replacement parts or have questions regarding our warranty, please call our Product Consultants at:

U.S.: 1-800-289-6636

Monday - Friday 8:00 a.m. to 8:00 p.m. EST

Saturday 8:00 a.m. to 6:30 p.m. EST

Or e-mail us at: moenwebmail@moen.com

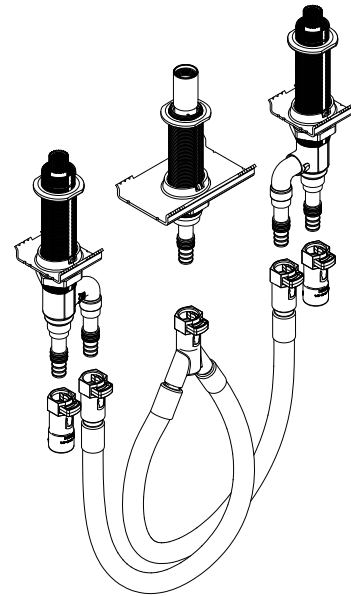
Be sure to visit our website at www.moen.com

Canada 1-800-465-6130

Monday - Friday 7:30 a.m. to 5:00 p.m. EST

Or e-mail us at: cantsd@moen.com

Be sure to visit our website at www.moen.ca



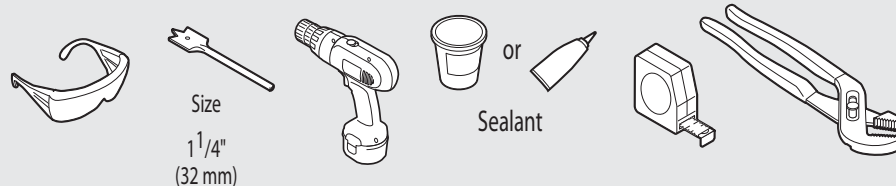
CAUTION — TIPS FOR REMOVAL OF OLD FAUCET

! **CAUTION** — Always turn water supply OFF before removing existing faucet or disassembling the valve. Open faucet handle to relieve water pressure and ensure that complete water shut-off has been accomplished.

The PEX fittings in these valves have been third party certified to U.S. and Canadian Standards using the following: Nibco® and U.S. Brass QESTPEX® 1/2" Cu crimp rings and certified 1/2" PEX tubing. Crimps were made using Nibco® PEXlink® 1/2" crimp tool in accordance with the Nibco® instructions.

HELPFUL TOOLS

For safety and ease of faucet replacement, Moen recommends the use of these helpful tools.



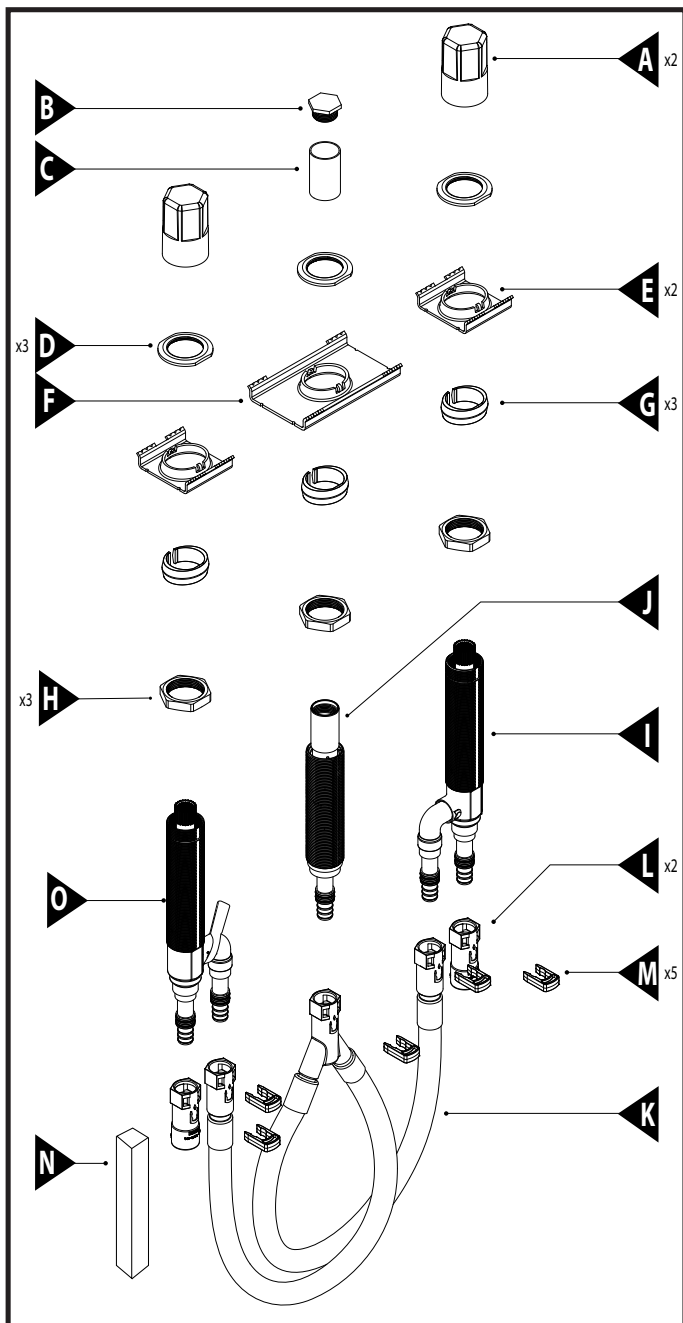
Moen Lifetime Limited Warranty

Moen products have been manufactured under the highest standards of quality and workmanship. Moen warrants to the original consumer purchaser for as long as the original consumer purchaser owns their home (the "Warranty Period" for homeowners), that this faucet will be leak- and drip-free during normal use and all parts and finishes of this faucet will be free from defects in material and manufacturing workmanship. All other purchasers (including purchasers for industrial, commercial and business use) are warranted for a period of 5 years from the original date of purchase (the "Warranty Period" for non-homeowners).

If this faucet should ever develop a leak or drip during the Warranty Period, Moen will FREE OF CHARGE provide the parts necessary to put the faucet back in good working condition and will replace FREE OF CHARGE any part or finish that proves defective in material and manufacturing workmanship, under normal installation, use and service. Replacement parts may be obtained by calling 1-800-289-6636 (Canada 1-800-465-6130), or by writing to the address shown. Proof of purchase (original sales receipt) from the original consumer purchaser must accompany all warranty claims. Defects or damage caused by the use of other than genuine Moen parts is not covered by this warranty. This warranty is applicable only to faucets purchased after December, 1995 and shall be effective from the date of purchase as shown on purchaser's receipt.

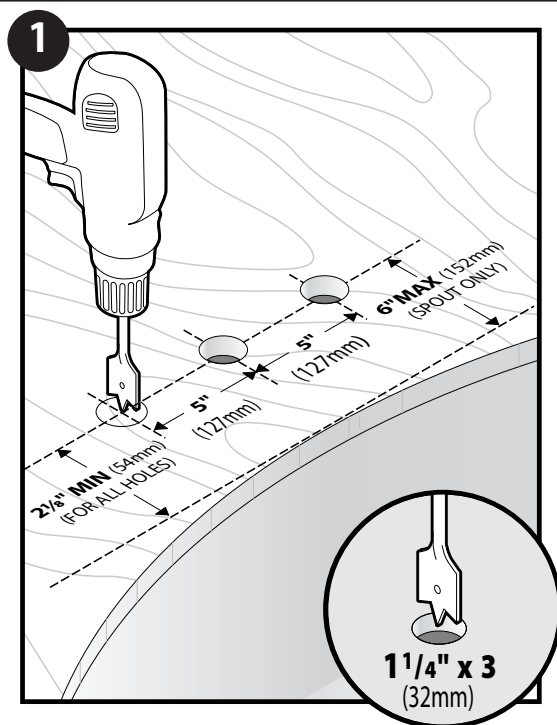
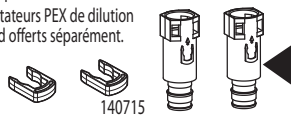
This warranty is extensive in that it covers replacement of all defective parts and finishes. However, damage due to installation error, product abuse, product misuse, or use of cleaners containing abrasives, alcohol or other organic solvents, whether performed by a contractor, service company, or yourself, are excluded from this warranty. Moen will not be responsible for labor charges and/or damage incurred in installation, repair or replacement, nor for any indirect, incidental or consequential damages, losses, injury or costs of any nature relating to this faucet. Except as provided by law, this warranty is in lieu of and excludes all other warranties, conditions and guarantees, whether expressed or implied, statutory or otherwise, including without restriction those of merchantability or of fitness for use.

Some states, provinces and nations do not allow the exclusion or limitation of incidental or consequential damages, so the above limitations or exclusions may not apply to you. This warranty gives you specific legal rights and you may also have other rights which vary from state to state, province to province, nation to nation. Moen will advise you of the procedure to follow in making warranty claims. Simply write to Moen Incorporated using the address below. Explain the defect and include proof of purchase and your name, address, area code and telephone number.

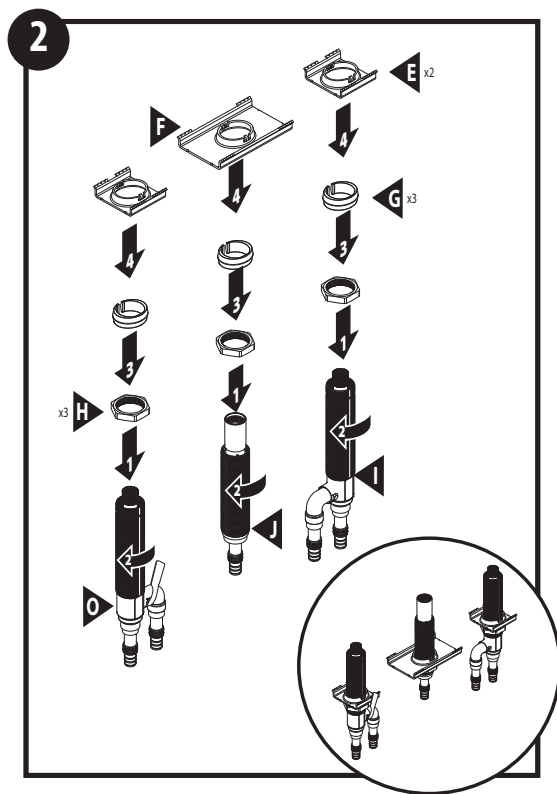


- A. Protective Cap (2x)
- B. Test Plug
- C. Protective Tube
- D. Top Mounting Nut (3x)
- E. Bracket, Valve (2x)
- F. Bracket, Shank
- G. Bushing, Tapered (3x)
- H. Nut (3x)
- I. Valve Body Assembly, Cold
- J. Adjustable Shank Assembly
- K. Hose Assembly
- L. CPVC Adapter (2x)
- M. Clip, Quick Connect (5x)
- N. Tool, Adjustable Shank
- O. Valve Body Assembly, Hot
- P. PEX Cold Expansion Adapters*

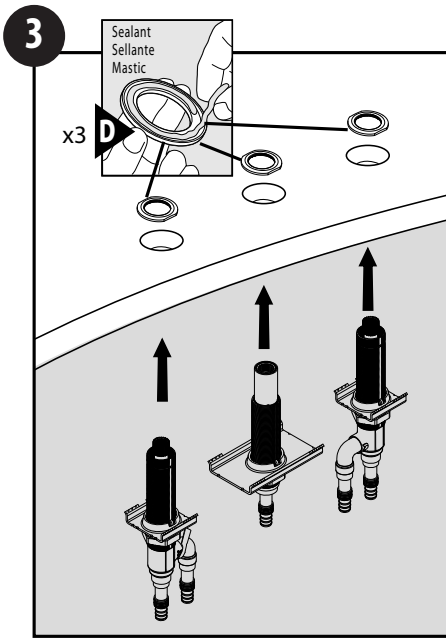
* Cold expansion PEX adapters available separately.
 Adaptadores PEX para expansión en frío disponibles por separado.
 Adaptateurs PEX de dilution à froid offerts séparément.



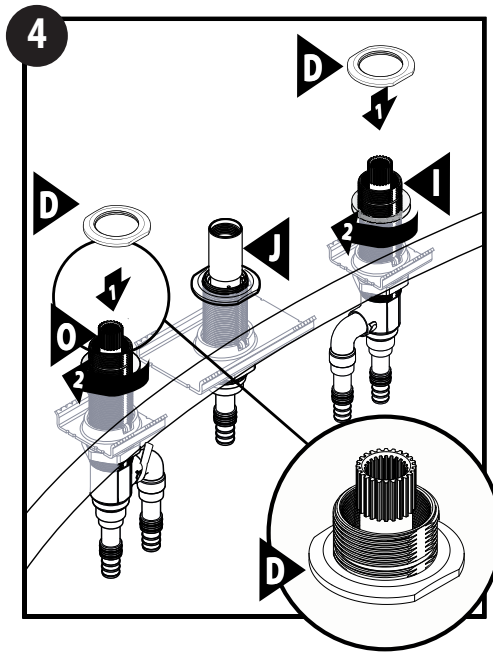
1) Drill holes for the valves and spout 5" minimum on center. Position the spout hole so that spout delivers the water to the desired place in the tub.



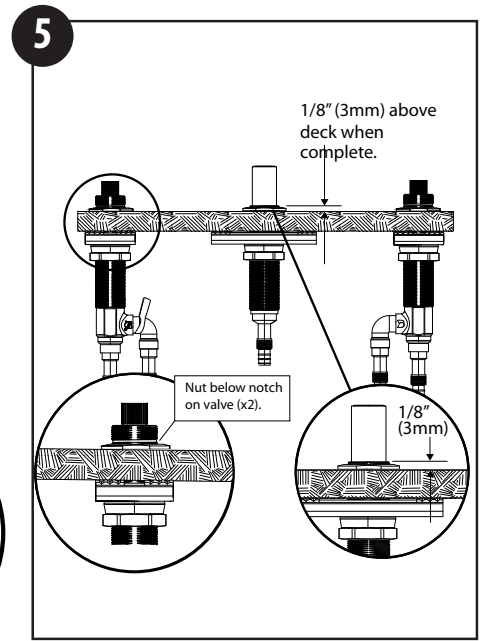
2) Assemble nut (H), tapered bushing (G) and valve bracket (E) onto valve assemblies (I & O). Assemble Nut (H), tapered bushing (G) and shank bracket (F) onto shank assembly (J).



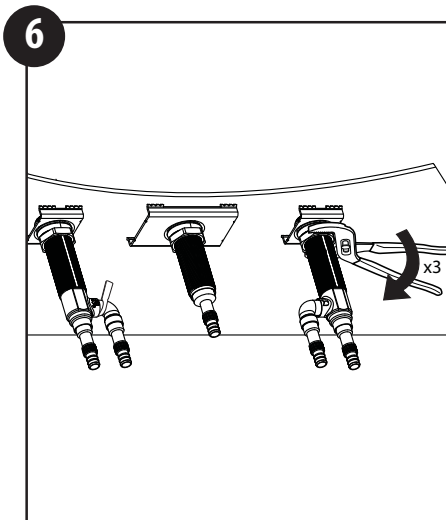
3) From the underside of the deck, insert completed assemblies. Position both valve assemblies so the shorter legs (outlets) face towards the center shank assembly. Add bead of sealant on bottom of top nuts.



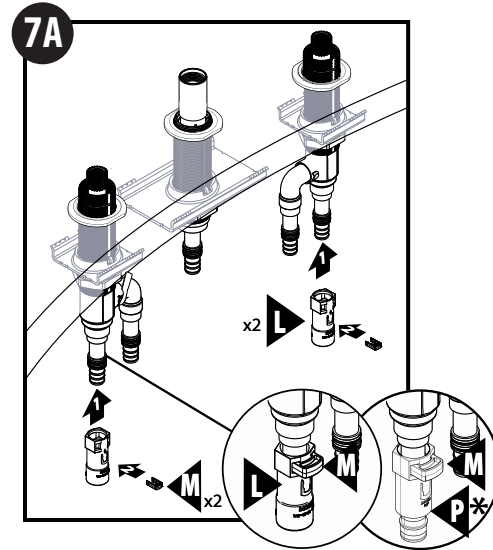
4) Thread top mounting nuts (D) to slightly below notch on each valve (I & O) and spout shank (J).



5) When properly assembled, top nuts (D) are below notch on each valve. On center shank, leave 1/8" of threads above deck.

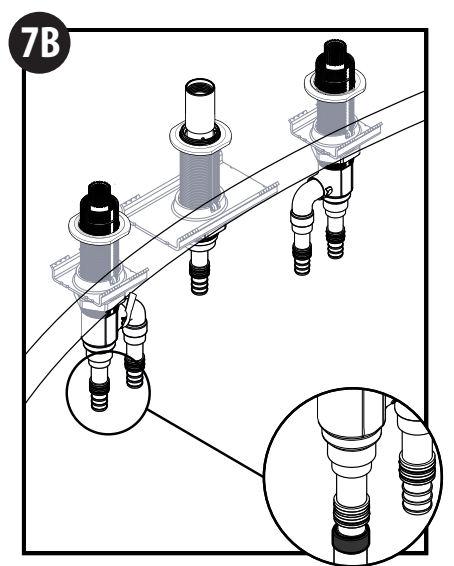


6) Secure valves & shank, tighten lower nut **firmly** using pliers.

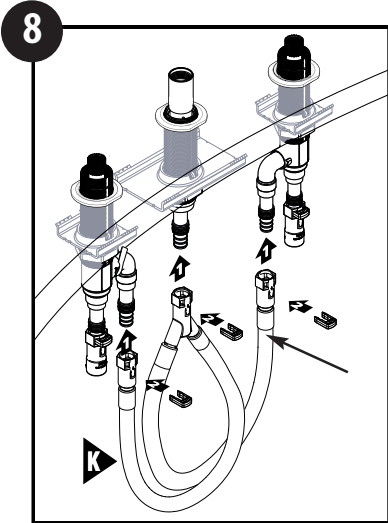


7A) For CPVC or Cold expansion connections, attach the adapters (L or P) onto the straight inlet over the "O"-rings. Insert (M) into connector as shown.

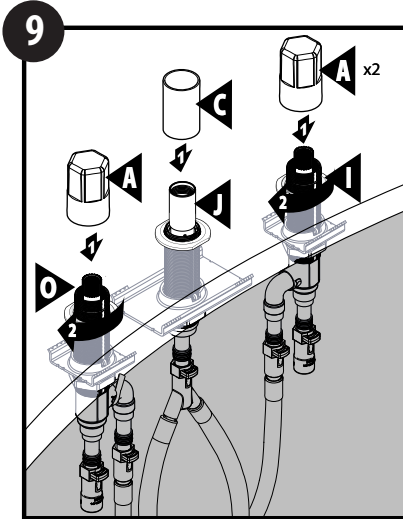
* Cold expansion connectors (P) not included.



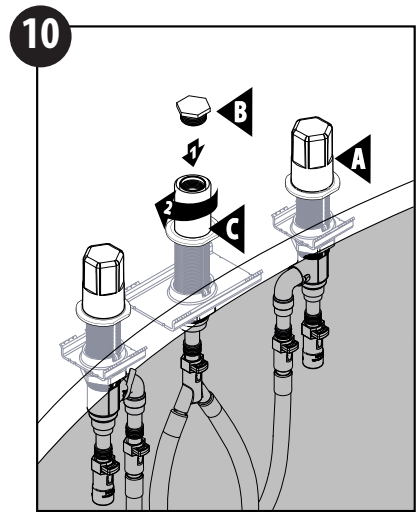
7B) For PEX connections slide tubing onto the straight inlet tubes up to the "O"-ring and crimp the banding ring with a crimping tool.



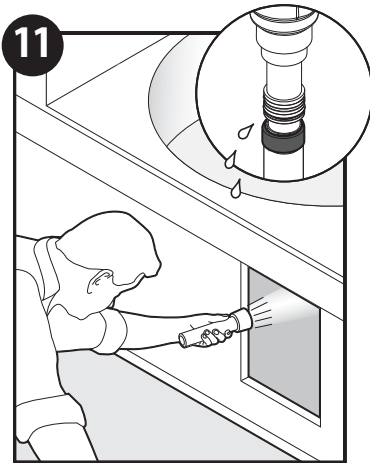
8) Secure the hose assembly with quick connect clips (M). For 5" – 8" centers between the valve and spout shank, loop the hose (K) as shown. For 9" – 12" centers, do not loop.



9) Place protective tube (C) over center shank assembly (J) and protective caps (A) over valves (I & O).



10) Secure protective tube (C) with test plug (B).



11) Check for leaks.

