



Buy it for looks. Buy it for life.®

# Specifications

## DESCRIPTION

- The shower trim is chrome plated metal construction
- Includes showerhead, arm and flange

## OPERATION

- Acrylic knob style handle, pull-on push-off design
- Temperature operates through an 180° arc of handle travel (full cold to full hot)
- Adjustable temperature limit stop to control maximum hot water temperature
- Pressure balancing mechanism maintains selected discharge temperature to  $\pm 3^\circ$

## FLOW

- Showerhead is limited to 2.5 gpm (9.5 L/min)Max

## CARTRIDGE

- 1225 cartridge design
- Nonmetallic/nonferrous and stainless steel materials
- Accommodates back to back installations

## STANDARDS

- Third party certified to meet CSA B-125, ASSE 1016, ASME A112.18.1M and all applicable requirement referenced therein.

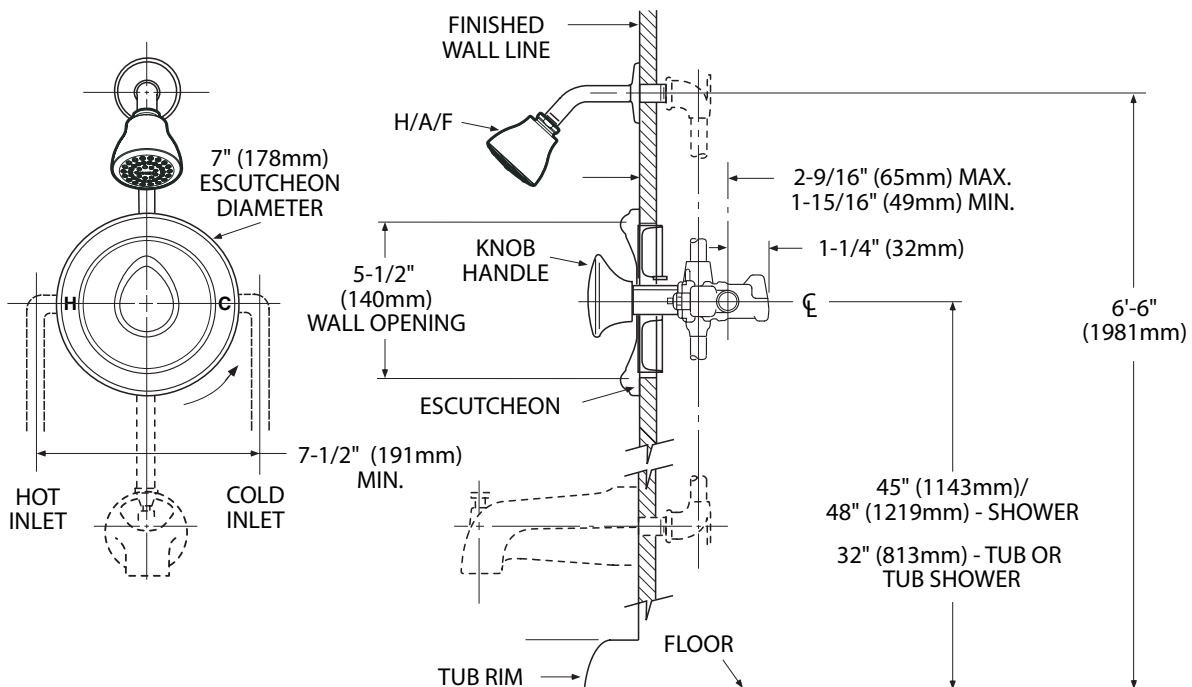
## WARRANTY

- Lifetime limited warranty against leaks, drips and finish defects to the original consumer purchaser
- 5 year warranty if used in commercial installations



## LEGEND® MOENTROL® Single-Handle Shower Trim Kit

Model: T171  
(Bulk Packed 12 Per Carton)



## CRITICAL DIMENSIONS

(DO NOT SCALE)