



Buy it for looks. Buy it for life.®

Specifications

DESCRIPTION

- Metal construction with various finishes identified by suffix
- For installations from 10" (254mm) to 16" (406mm) centers
- Designed to be installed on decks up to 2-1/8" (54mm)
- The tub fill spout is a slip fit design

OPERATION

- Lever style handles
- Rotate hot side counterclockwise to open (clockwise to close) and the cold side handle clockwise to open (counterclockwise to close)


FLOW

- Designed to deliver 18 gpm at 40 psi (68 L/min)

CARTRIDGE

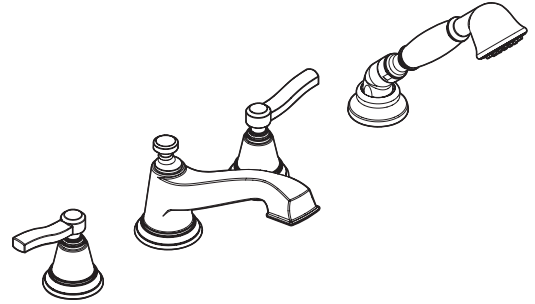
- 1248 cartridge design

STANDARDS

- Third party certified to ASME A112.18.1/CSA B125.1 and all applicable requirements referenced therein
- **ADA**  for lever handles

WARRANTY

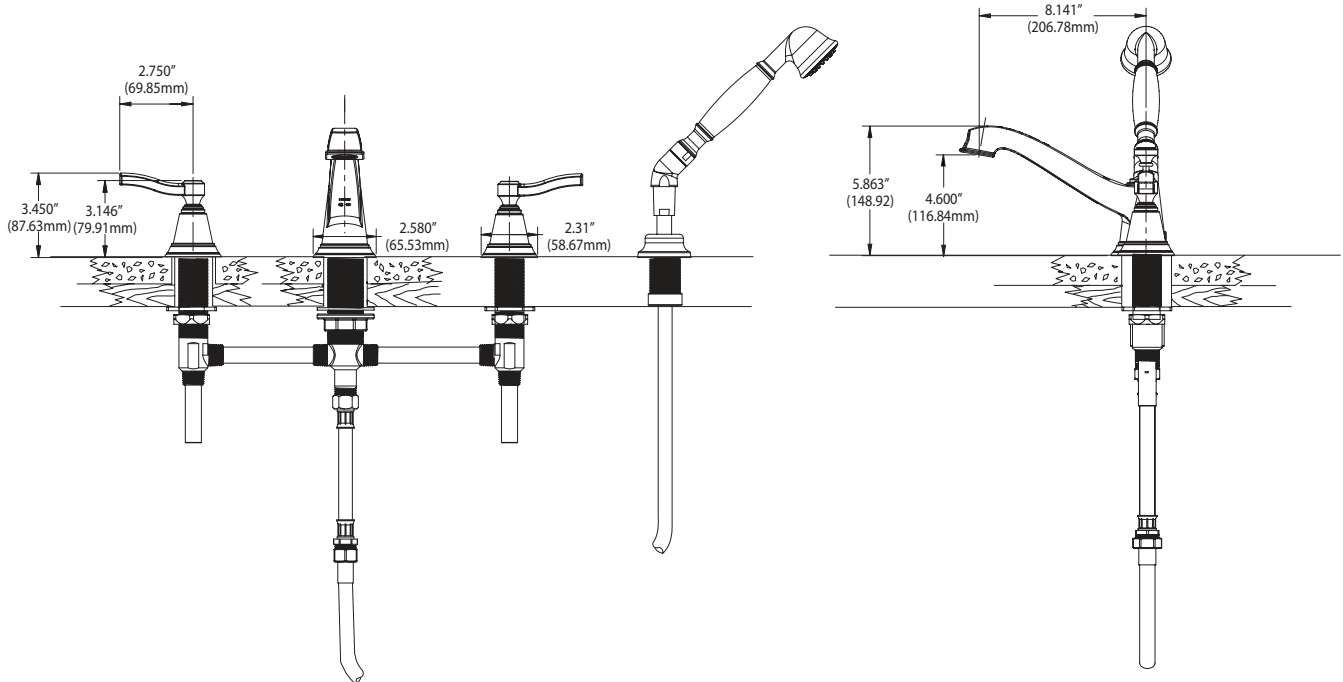
- Lifetime limited warranty against leaks, drips and finish defects to the original consumer purchaser
- 5 year warranty if used in commercial installations



ROTHBURY™ DECK MOUNT Two-Handle Roman Tub Faucet w/Built In Diverter Valve

Models: T925 series

Valves: 9997, 9999



NOTE: THE INSTALLATION SHOWN IS FOR TILE DECKS, THIS VALVE WILL ALSO FIT STEEL, CAST IRON OR PLASTIC DECKS

CRITICAL DIMENSIONS

(DO NOT SCALE)

TO ORDER PARTS CALL: 1-800-BUY-MOEN

www.moen.com