

Donner Technical Specification

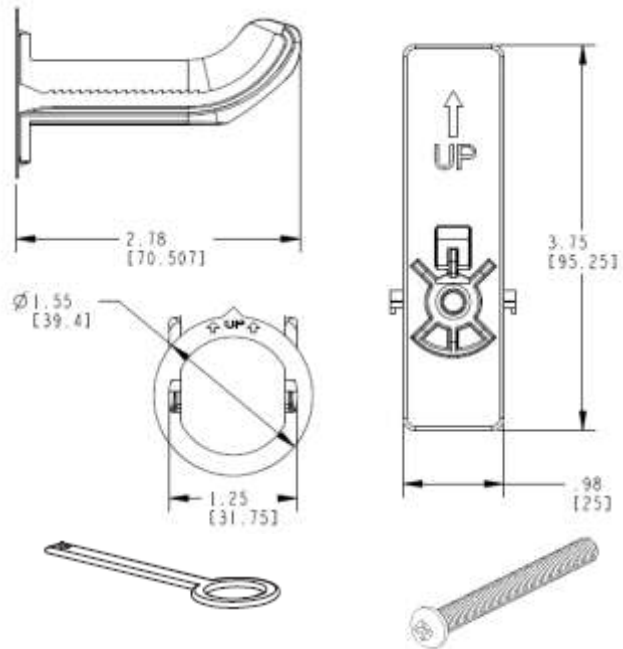
Hotel Shelf SecureMount Anchor

SMA2000

Stock Numbers:

- SMA2000CH – Hotel Shelf SecureMount™ Anchors Set of 2 Anchors

Dimensions:



Materials:

SecureMount Anchor guide and anchor are made of POM.

*Requires a 3½" space behind the wall and works in the following substrates

- 1/2" or 5/8" Dry Wall
- 1/2" or 5/8" Dry Wall with Tile
- 1/2" or 5/8" Dry Wall with Marble
- 1/8" or 1/4" Fiberglass Tub Surround

Installation Instructions:

Directions for drywall mounting installation:

1. Position hotel shelf on wall in desired location and mark the four mounting holes.
2. Drill one 1¼" hole at each top mounting location as needed. (SecureMount Anchors should only be used for the top mounting holes.) The hardware supplied with the hotel shelf should be used for the bottom mounting holes.
3. Insert guide sleeves into each hole in the wall. (Note: UP indicator must always point up)
4. Connect pull tab to the secure mount anchor.
5. With pull tab up, insert the anchor all the way into the hole in the wall.
6. Pull back on the pull tab, and disconnect it from the anchor.

- For more thorough installation instructions, refer to the instruction sheet included with the anchors.

Stock Number: _____ Hotel Shelf SMA
By Creative Specialties



25300 AL MOEN DRIVE • NORTH OLMSTED, OH 44070
CORPORATE HEADQUARTERS: (800) 321-8809 • FAX: (800) 848-6636
INTERNATIONAL: (440) 962-2000 • FAX: (440) 962-2726
CUSTOMER SERVICE (USA): 800-882-0116 • FAX: (888) 379-2720
WWW.MOEN.COM

©Copyright Creative Specialties International

Literature #BA1390