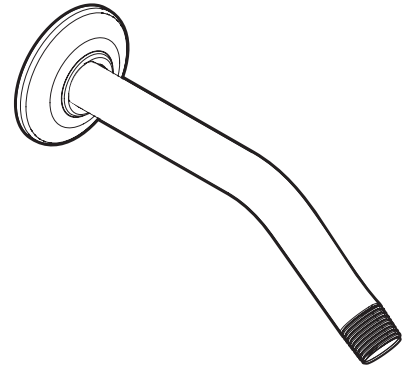


DESCRIPTION

- Metal construction with chrome plated, LifeShine® brushed nickel, or LifeShine® hammered nickel finishes

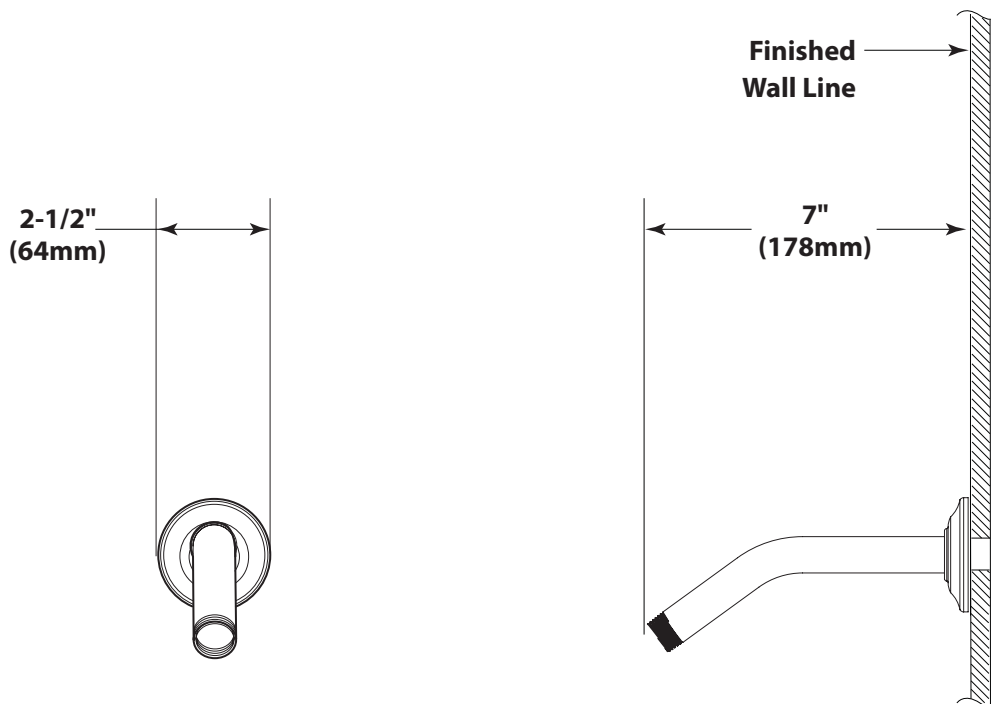
WARRANTY

- Lifetime limited warranty against finish defects to the original consumer purchaser
- 5 year warranty if used in commercial installations



Divine™
Shower Arm and Flange

Models: S153, S153BN, S153HN



CRITICAL DIMENSIONS

(DO NOT SCALE)