

## DESCRIPTION

- Metal construction with chrome plating, chrome with LifeShine® polished brass accents, LifeShine® pol. brass and LifeShine® satine/pol. brass finishes
- 1/2" connections

## OPERATION

- Pivot action lever style handle
- Temperature controlled through 180° arc of handle travel

## FLOW

- Aerator is limited to 2.2 gpm (8.3 L/min)

## CARTRIDGE

- 1225 cartridge design
- Nonmetallic/nonferrous and stainless steel material
- Can accommodate reversed piping and back to back installations

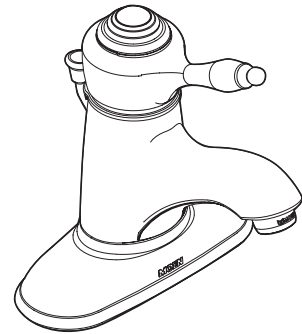
## STANDARDS

- Third party certified to CSA B-125, ASME A112.18.1M, ANSI A117.1 and all applicable requirements referenced therein
- Certified to ANSI/NSF 61/9
- Complies with California Proposition 65 and with the Federal Safe Drinking Water Act

## WARRANTY

- Lifetime limited warranty against leaks, drips and finish defects to the original consumer purchaser
- 5 year warranty if used in commercial installations

ADA

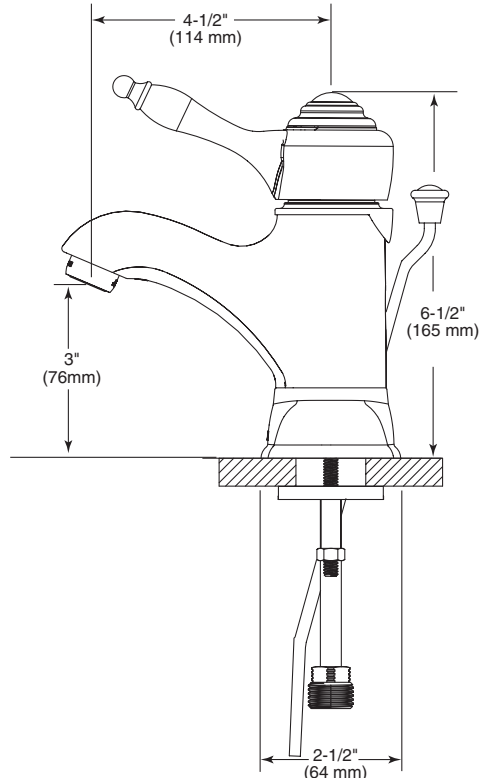
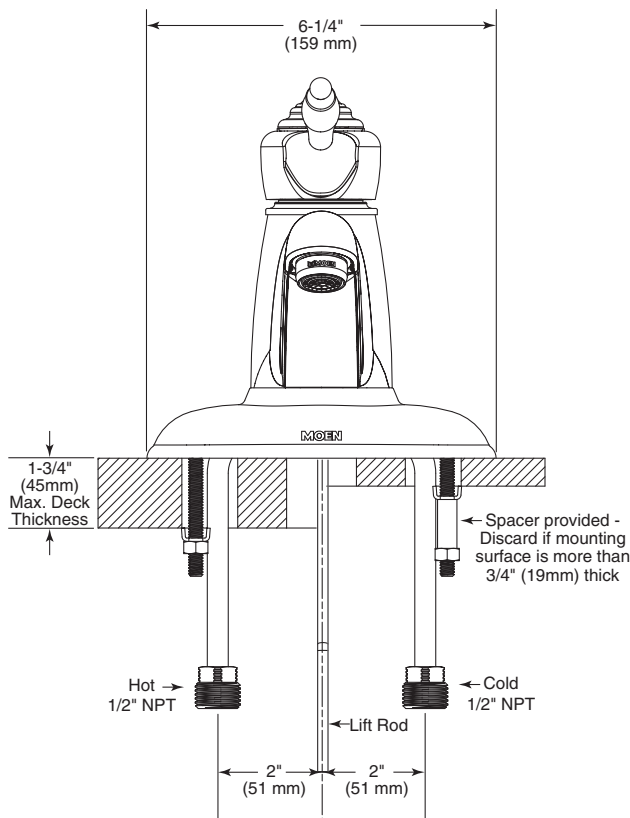


### Castleby™ Single-Handle Lavatory Faucet

**Models: L4612, L4612CP, L4612P, L4612ST**  
**Bulk Model: L64612**  
**(Bulk Packed 12 per Carton)**

**NOTE: See reverse side  
for illustrated parts**

**NOTE: THIS FAUCET IS DESIGNED TO BE  
INSTALLED THRU 3-1" DIA. HOLES, 4" ON  
CENTER**



## CRITICAL DIMENSIONS

(DO NOT SCALE)