

# Glenshire™ Technical Specification

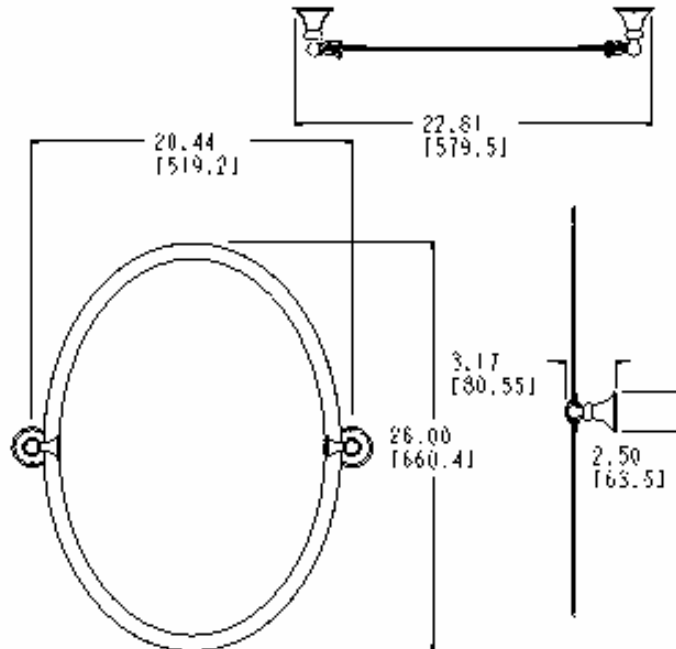
## Oval Tilting Mirror

# DN2692

### Stock Numbers:

- q **DN2692BN – Oval Tilting Mirror**  
Brushed Nickel Finish
- q **DN2692CH – Oval Tilting Mirror**  
Chrome Finish

### Dimensions:



### Materials:

**Oval Tilting Mirror** posts are constructed of zinc and mirror is constructed of 5MM thick glass.

### Installation Instructions:

1. Position the mounting template on the wall in the desired location.
2. Using a level, align the template and tape it to the wall.
3. Drill two 5/16" holes at each mounting post location.
4. Remove the template from the wall.
5. Fold ends of the plastic toggle together and insert into each hole in the wall.
6. Lightly tap anchors until flush with the wall.
7. One at a time, insert plastic pin into each of the anchors and lightly tap to activate anchor. Remove pin and repeat on all anchors.
8. Remove mounting plates from the product assemblies by loosening each setscrew.
9. One at a time, place each mounting plate over anchors (with "UP" facing you) and insert screws through plate into anchors.
10. Tighten screws.
11. Loosen the 2 small screws on each of the end posts.
12. With the back of the mirror facing you, slide both end posts into position on the mirror. Align the screws with the holes in the back plates. Tighten all 4 screws.
13. Place entire mirror assembly over the mounting plates on the wall (setscrews facing down). Tighten setscrews.

### Cleaning Instructions:

To preserve the fine finish of this product, clean only with a soft damp cloth. Dry well. Do not use commercial or abrasive cleaners.

**Stock Number:** \_\_\_\_\_ **Oval Tilting Mirror**  
By Creative Specialties



25300 AL MOEN DRIVE • NORTH OLMS TED, OH 44070  
CORPORATE HEADQUARTERS: (800) 321-8809 • FAX: (800) 848-6636  
INTERNATIONAL: (440) 962-2000 • FAX: (440) 962-2726  
CUSTOMER SERVICE (USA): 800-882-0116 • FAX: (888) 379-2720  
WWW.CSI.MOEN.COM

©Copyright Creative Specialties International 2006

Literature #BA1350