



Buy it for looks. Buy it for life.®

FAUCET DESCRIPTION

- Metal construction with various finishes identified by suffix
- Inlet shanks will accept 3/8" ball nose connections
- With and without side spray versions available

OPERATION

- Lever style handle
- Operates with less than 5 lbs. of force


FLOW

- Tap water: 2.2 gpm max (8.3 L/min)

CARTRIDGE

- 4000 ceramic disc cartridge design
- Nonmetallic/nonferrous and stainless steel material

STANDARDS

- Third party certified to CSA B-125.1, ASME A112.18.1, ICC A117.1 and all applicable requirements referenced therein
- Certified to ANSI/NSF 61/9
- Contains no more than 0.25% weighted average lead content
- Complies with California Proposition 65 and with the Federal Safe Drinking Water Act
- **ADA**  for lever handle

WARRANTY

- Lifetime limited warranty against leaks, drips and finish defects to the original consumer purchaser
- 5 year warranty if used in commercial installations

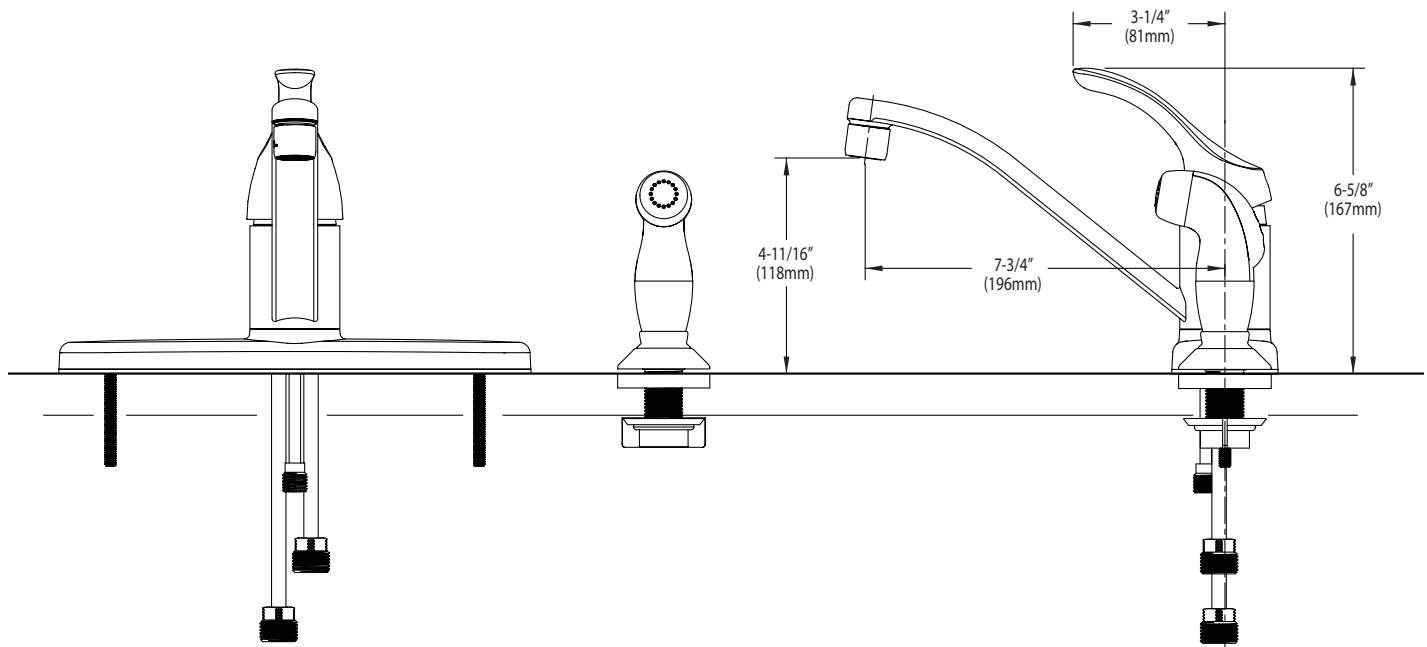
Specifications



Touch Control® Single Handle Lever Kitchen Faucet with Protégé® Side Spray

Models: CA87551 series
CA87526 series (less side spray)

NOTE: DESIGNED TO BE INSTALLED THROUGH 3 HOLES
1-1/4" (32mm) MIN. DIA. AND 4" (102mm) ON CENTER.



CRITICAL DIMENSIONS

(DO NOT SCALE)