



Buy it for looks. Buy it for life.®

# Specifications

## FAUCET DESCRIPTION

- Metal construction with various finishes identified by suffix
- Hydrolock® quick connect installation
- Flush button with raised stream and spray indicators
- Pullout spray with 59" fiber hose
- Flexible supplies with 3/8" compression fittings

## OPERATION

- Lever style handle
- Temperature controlled by 100° arc of handle travel
- Spout receptor rotation is 145°
- Operates with less than 5 lbs. of force
- Operates in stream or spray mode in the pullout or retracted position

## FLOW

- Flow is limited to 2.2 gpm (8.3 L/min) at 60 psi

## CARTRIDGE

- 1255™ Duralast™ cartridge

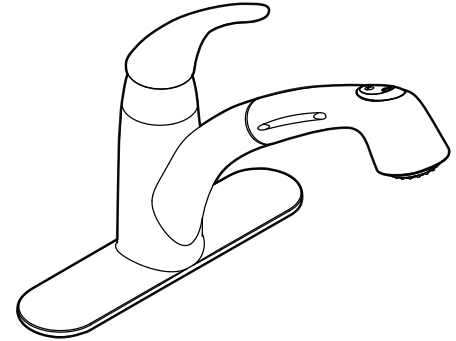
## STANDARDS

- Third party certified to ASME A112.18.1/CSA B-125.1 and all applicable requirements referenced therein including NSF 61/9
- Contains no more than 0.25% weighted average lead content
- Complies with California Proposition 65 and with the Federal Safe Water Drinking Act
- The backflow protection system in the device consists of two independently operating check valves, a primary and a secondary which prevent backflow

- **ADA**  for lever handle

## WARRANTY

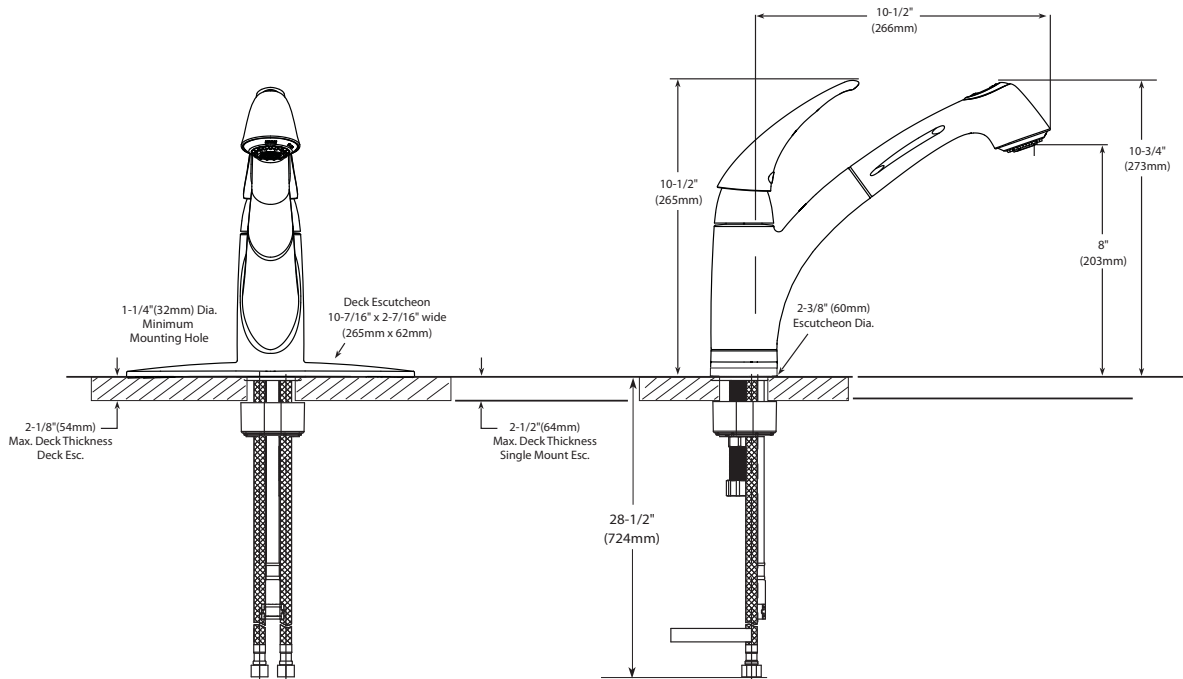
- Lifetime limited warranty against leaks, drips and finish defects to the original consumer purchaser
- 5 year warranty if used in commercial installations



## Extensa® Single Control Kitchen Faucet w/Pullout Spray

Models: CA7560 series

**NOTE:** DESIGNED TO INSTALL  
THRU 1 OR 3 HOLES 1-1/4" (32mm) MIN. DIA.



## CRITICAL DIMENSIONS

(DO NOT SCALE)