



Buy it for looks. Buy it for life.®

# Specifications

## FAUCET DESCRIPTION

- Metal construction with various finishes identified by suffix
- 1/2" IPS connections
- Lever style handles
- Handle inserts include hot (red) and cold (blue) color indicators
- Includes Protégé side spray

## OPERATION

- Hot side counterclockwise to open (clockwise to close)
- Cold side clockwise to open (counterclockwise to close)


## FLOW

- Aerator is limited to 2.2 gpm (8.3 L/min).

## CARTRIDGE

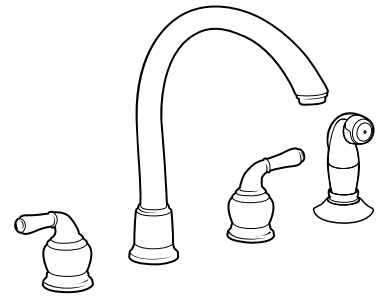
- 1224 cartridge design
- Nonmetallic, nonferrous and stainless steel material

## STANDARDS

- Third party certified to CSA B-125.1 ASME A112.18.1 and all applicable requirements therein including NSF61/9
- Contains no more than 0.25% weighted average lead content
- Complies with California Proposition 65 and with the Federal Safe Drinking Water Act
- **ADA**  for lever handles

## WARRANTY

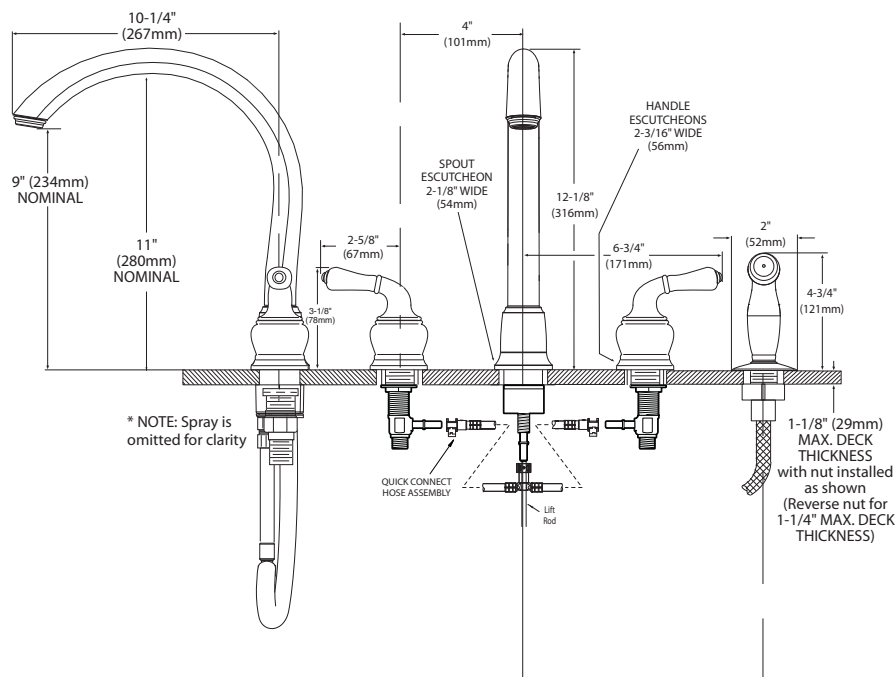
- Lifetime limited warranty against leaks, drips and finish defects to the original consumer purchaser
- 5 year warranty if used in commercial installations



## Monticello® with Cathedral™ Spout Two Handle Kitchen Faucet with Protégé Side Spray (less handle inserts on 7000 series)

Models: CA7786

Spout installs through deck holes a minimum of **1-1/4" (32mm)** in diameter. Valves install through **1-1/8" (28mm)** min. diameter hole.



## CRITICAL DIMENSIONS

(DO NOT SCALE)