

*There is more than 1 version of this model.  
Page down to identify the version you have.*

## FAUCET DESCRIPTION

- Chrome plated solid brass construction
- Single hole mount designed to deliver either tempered or ambient water.
- Vandal resistant
- Optional 4" deck plate available, 99550

## OPERATION

- ADA compliant lever style handle
- Cycle time easily adjusted from 5 to 60 seconds, independent from water pressure
- Factory preset to automatically shut off after 10 seconds
- 1/2" IPS supply shank


## FLOW

- Vandal resistant 0.5 GPM aerator limits water discharge to a maximum of .25 gpc (.95 L/cycle) @ 30 seconds

## CARTRIDGE

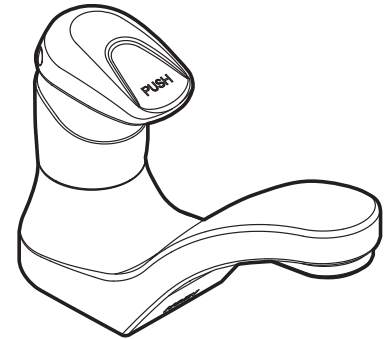
- 52100 brass shell cartridge
- Self contained metering mechanism which is separate from the potable water supply

## STANDARDS

- Third party certified to ASME A112.18.1/CSA B125.1, and all applicable specifications referenced therein
- ADA  for lever handle
- CalGreen compliant

## WARRANTY

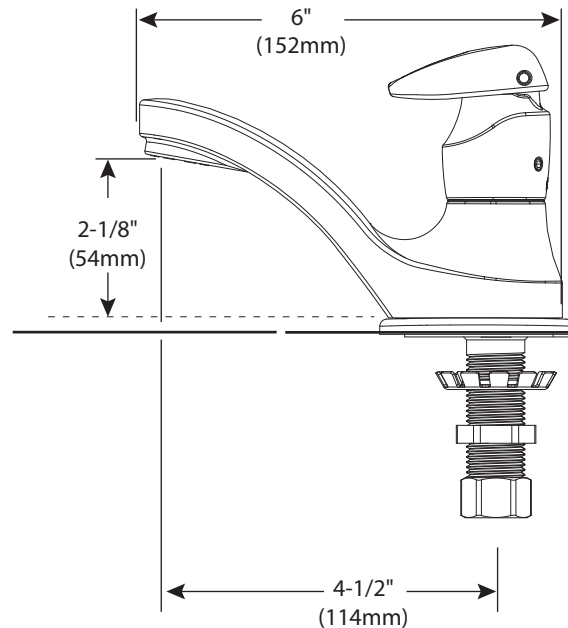
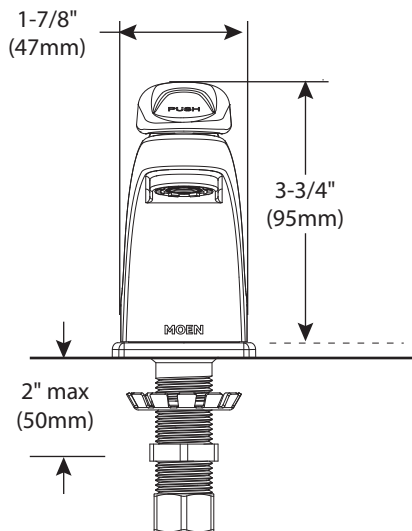
- Warranted for 5 years against material or manufacturing defects



**Single-Handle ADA Metering  
Lavatory Faucet**

**Model:** 8884 (Chrome)

**NOTE:** DESIGNED TO BE INSTALLED THROUGH  
1 HOLE 7/8" MIN. DIA.



## CRITICAL DIMENSIONS

(DO NOT SCALE)

## FAUCET DESCRIPTION

- Chrome plated brass construction
- Single hole mount designed to deliver either tempered or ambient water.
- Vandal resistant
- Optional 4" deck plate available, 99550

## OPERATION

- ADA compliant lever style handle
- Cycle time easily adjusted from 10 to 60 seconds
- Factory preset to automatically shut off after 10 seconds at 80 psi
- 1/2" IPS supply shanks


## FLOW

- Vandal resistant 0.5 GPM aerator limits water discharge to a maximum of .25 gpc (.95 L/cycle), 30 seconds max.

## CARTRIDGE

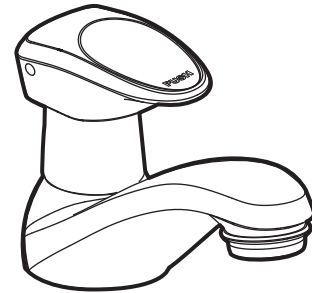
- 52100 brass shell cartridge
- Nonmetallic and nonferrous material
- Self contained metering mechanism which is separate from the potable water supply

## STANDARDS

- Third party certified to ASME A112.18.1/CSA B125.1, and all applicable specifications referenced therein
- ADA  for lever handle

## WARRANTY

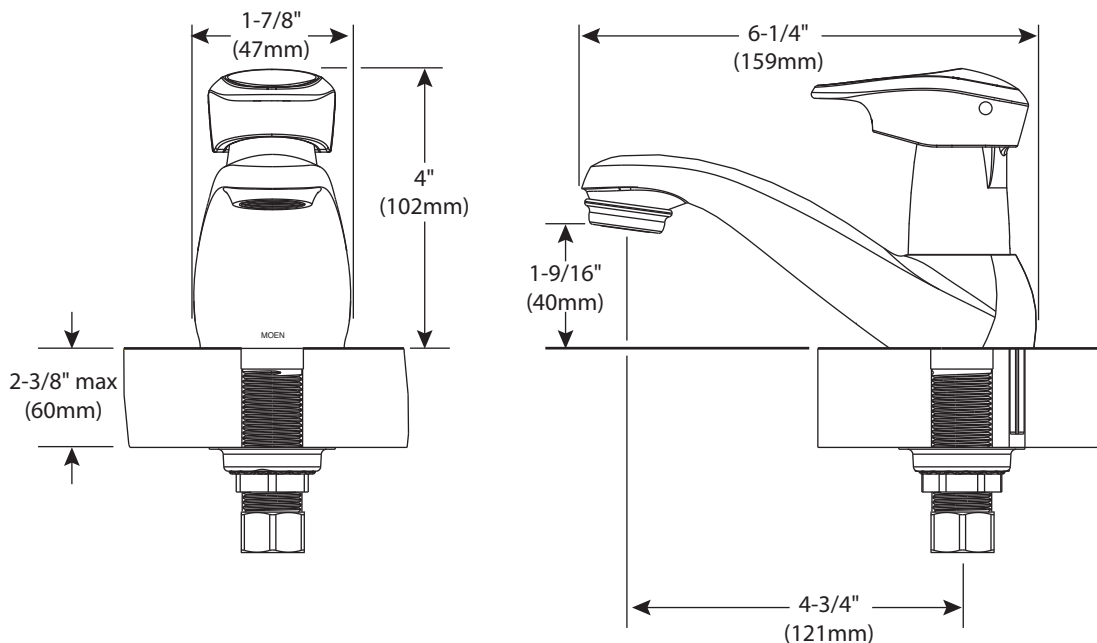
- Warranted for 5 years against material or manufacturing defects



### Single-Handle ADA Metering Lavatory Faucet

**Model:** 8884 (Chrome)

**NOTE:** DESIGNED TO BE INSTALLED THROUGH 1 HOLE 7/8" MIN. DIA.



## CRITICAL DIMENSIONS

(DO NOT SCALE)