

There is more than 1 version of this model.  
Page down to identify the version you have.

### DESCRIPTION

- Metal construction with chrome plated finish
- 1/2" IPS connections
- Supplied with vandal resistant screws
- Includes side spray with Hydrolock<sup>®</sup> quick connect system

### OPERATION

- Lever style handles with hot and cold color indicators
- Rotate the hot side handle 1/4 turn counterclockwise to open (clockwise to close)
- Rotate the cold side handle 1/4 turn clockwise to open (counterclockwise to close)

### FLOW

- Aerator is limited to 1.5 gpm max. (5.7 L/min)

### CARTRIDGE

- 1224 cartridge design
- Nonmetallic and stainless steel material

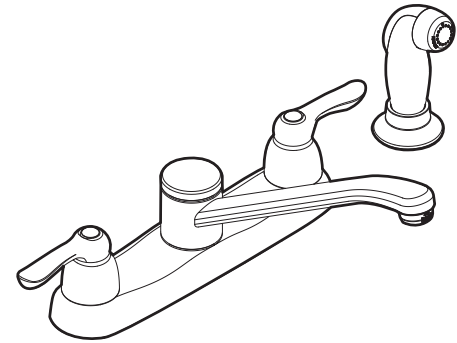
### STANDARDS

- Third party certified to meet ASME A112.18.1/CSA B-125.1 and all applicable specifications referenced therein
- Certified to NSF 61/9
- Complies with California Proposition 65 and with the Federal Safe Drinking Water Act

- ADA  for lever handles

### WARRANTY

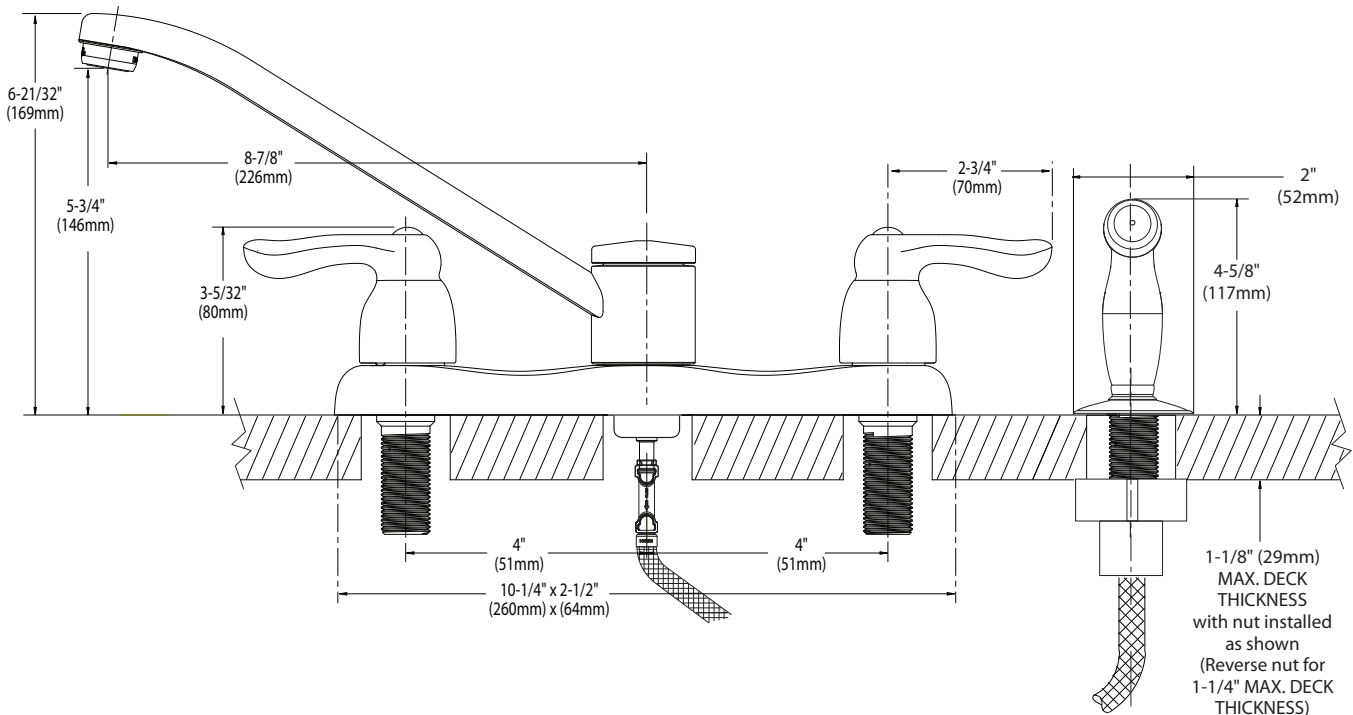
- Warranted for five years against material or manufacturing defects



Two-Handle Kitchen Faucet		
MODEL	FLOW (gpm)	SPRAY
8780	1.5	Without
8791	1.5	Side Spray



**NOTE:** 8780 is designed to be installed thru 3 holes-1" min. dia. and on 4" centers. 8791 is designed to be installed thru 4 holes-1" min. dia. and on 4" centers.



## CRITICAL DIMENSIONS

(DO NOT SCALE)

## DESCRIPTION

- Metal construction with chrome plated finish
- 1/2" IPS connections
- Supplied with vandal resistant screws
- Includes hose and spray

## OPERATION

- Lever style handles with hot and cold color indicators
- Rotate the hot side handle 1/4 turn counterclockwise to open (clockwise to close) and rotate the cold side handle 1/4 turn clockwise to open (counterclockwise) to close


## FLOW

- 2.2 MAX. gpm (8.3 L/min) aerator

## CARTRIDGE

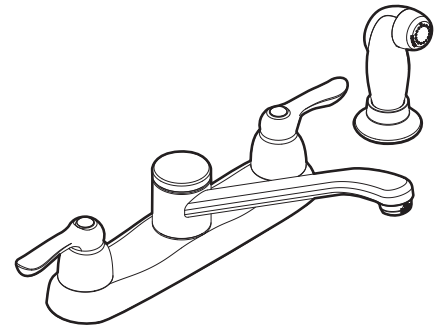
- 1224 cartridge design
- Nonmetallic and stainless steel material

## STANDARDS

- Third party certified by CSA to meet CSA B-125 and ASME A112.18.1M and all applicable specifications referenced therein and complies with the requirements of ANSI A117.1, NSF 61/9, and California Proposition 65.
- **ADA**  for lever handles

## WARRANTY

- Warranted for 5 years against material or manufacturing defects

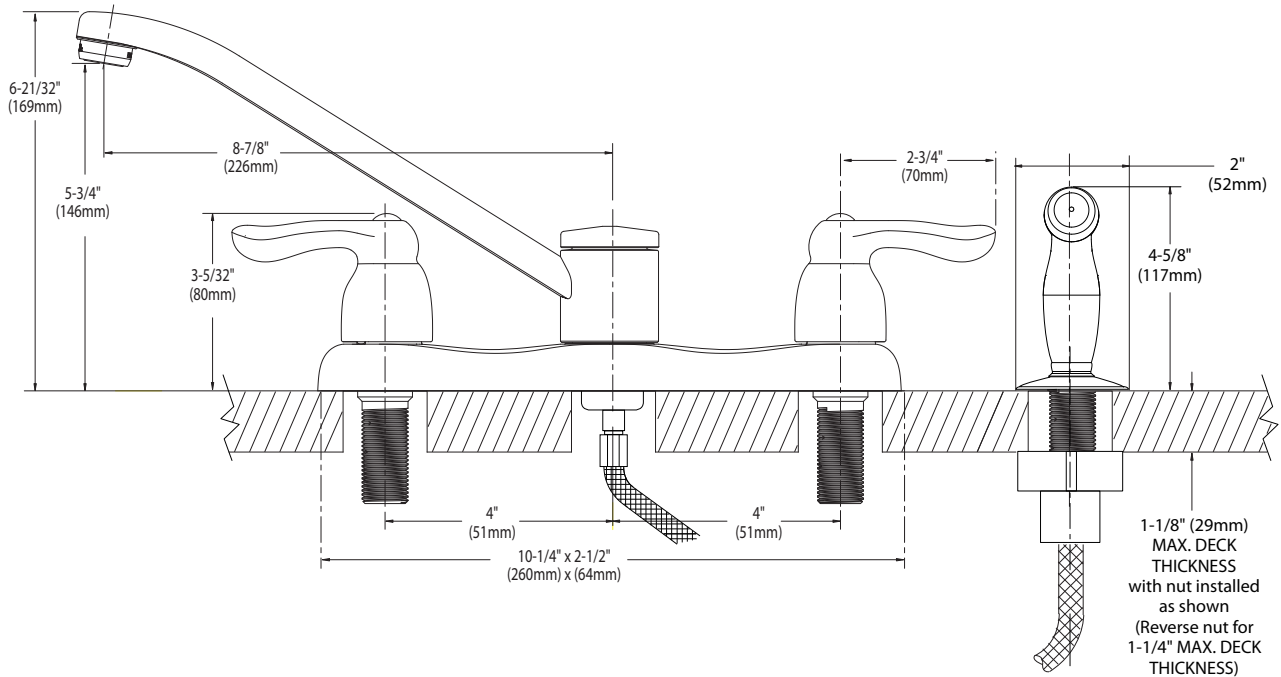


## Two-Handle Kitchen Faucet with Side Spray

**Model:** 8791 with side spray

**Model:** 8780 less side spray

**NOTE:** Designed to be installed through 4 holes - 1" min. dia. and on 4" centers



## CRITICAL DIMENSIONS

(DO NOT SCALE)