



Buy it for looks. Buy it for life.®

# Specifications

## DESCRIPTION

- Metal construction with various finishes identified by suffix
- 1/2" IPS connections
- Includes pop-up type waste assembly

## OPERATION

- Pivot action lever style handle
- Temperature controlled through 180° degree arc of handle travel


## FLOW

- Aerator is limited to 1.5 gpm (5.7 L/min)

## CARTRIDGE

- 1225 cartridge design
- Nonmetallic/nonferrous and stainless steel material
- Can accommodate reversed piping and back to back installations

## STANDARDS

- Third party certified to meet: CSA B-125.1, ASME A112.18.1, ICC 117.1 and all applicable requirements referenced therein
- Certified to ANSI/NSF 61/9
- Complies with California Proposition 65 and with the Federal Safe Water Drinking Act
- ADA  for lever handle

## WARRANTY

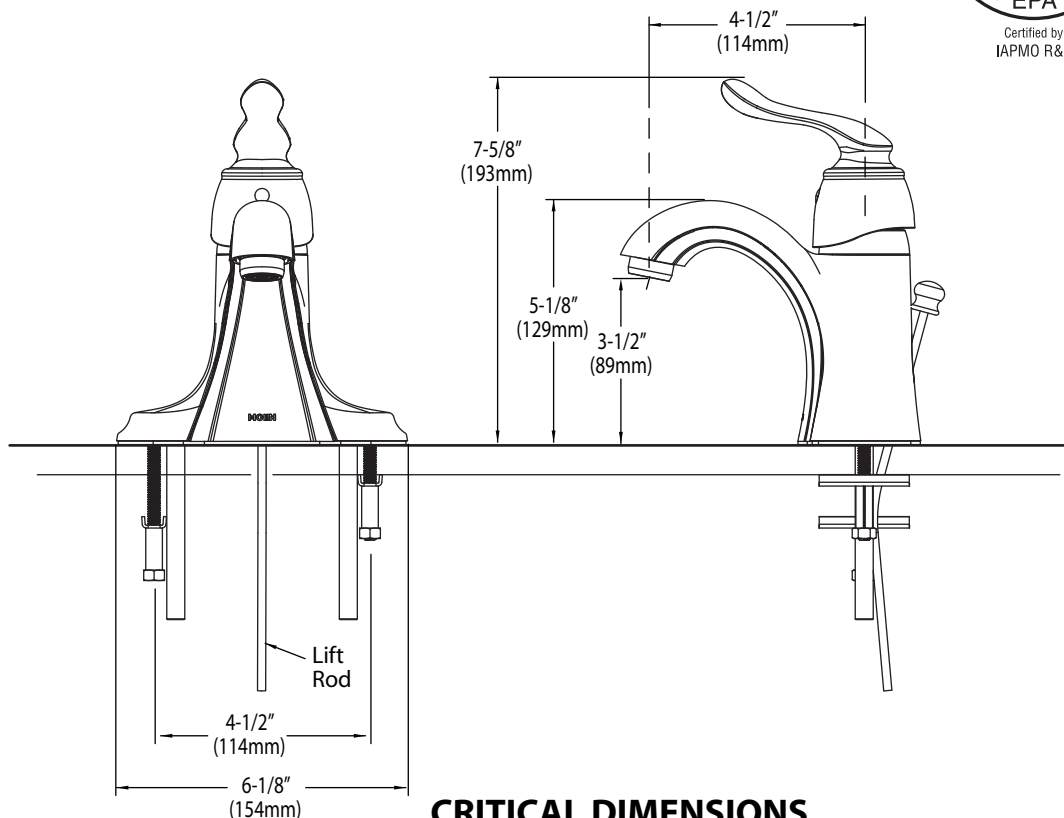
- Lifetime limited warranty against leaks, drips and finish defects to the original consumer purchaser
- 5 year warranty if used in commercial installations



### MUIRFIELD™ Single-Handle Lavatory Faucet with Plastic Waste Assembly

Model: 84000 series

**NOTE:** THIS FAUCET IS DESIGNED TO BE  
INSTALLED THRU 3-1" DIA. HOLES, 4" ON CENTER



## CRITICAL DIMENSIONS

(DO NOT SCALE)

FOR MORE INFORMATION CALL: 1-800-BUY-MOEN

www.moen.com