

## PRODUCT DESCRIPTION

- Brass construction w/chrome plated finish
- 1" IPS supply
- 1-1/2" top spud

## OPERATION

- Adjustable sensor eyes
- Battery powered (4) standard AA (included)
- Average battery life 250,000 cycles
- Self-diagnostic electronics
- Piston flushing mechanism
- Self cleaning filter system
- Low battery indicator light

## FLOW

- Operating pressures 10 to 125 psi
- 1.0 gpf (gallons per flush) up to 60 seconds/ 1.6 gpf after 60 seconds
- 24 hour sentinel flush
- Manual override button

## VALVE

- 1" IPS angle stop (vandal resistant)
- Mechanical manual override button
- Adjustable installation (left or right connection)

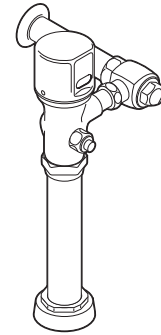
## STANDARDS

- Third party certified by IAPMO to meet ASME A112.19.2M and all applicable requirements referenced therein and complies with requirements of ASSE 1037

- **ADA** 

## WARRANTY

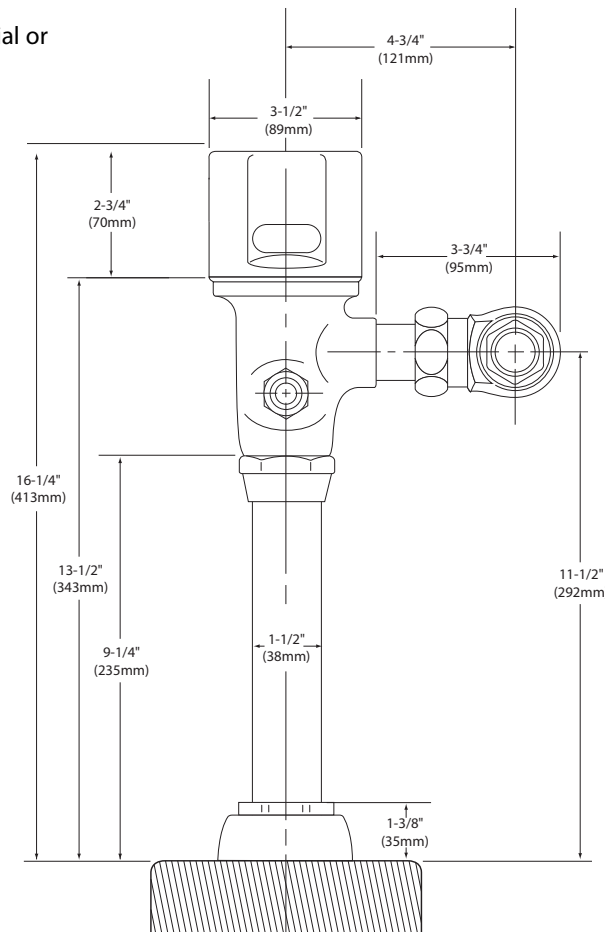
- Warranted for 5 years against material or manufacture defects.



## 1-1/2" Battery Powered Exposed Style Closet Flush Valve

**Model: 8310DF16**

**\* Intended for use with matching flow rates as specified by the fixture manufacturer**



## **CRITICAL DIMENSIONS**

(DO NOT SCALE)