

Shower Rods Technical Specification

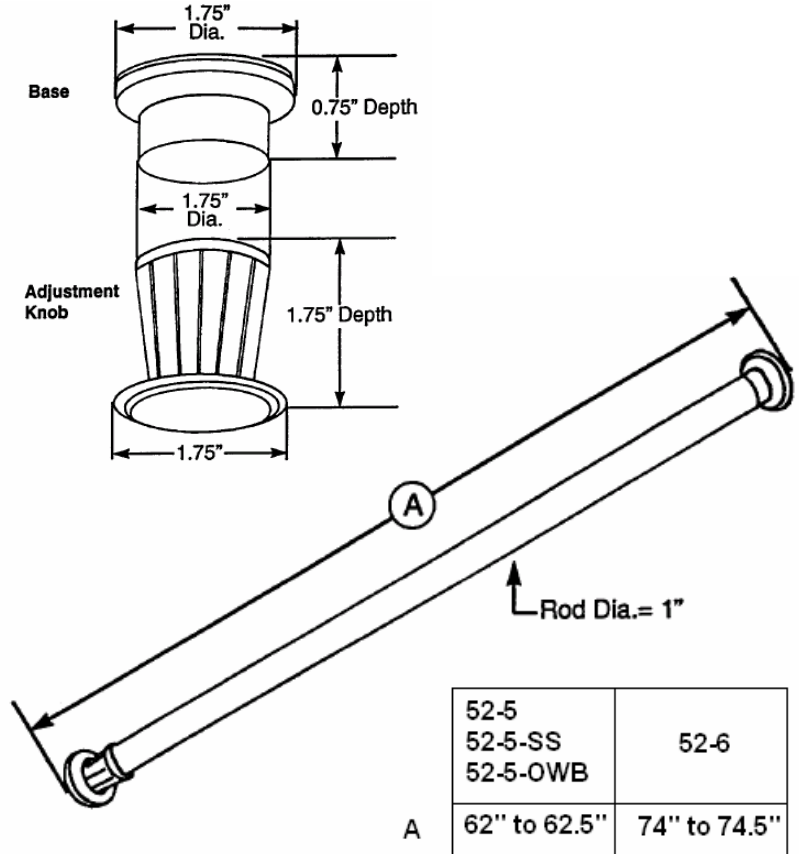
Shower Rod Sets – Adjustable

52

Stock Numbers:

- q **52-5-OWB – 5' Aluminum Shower Rod Set**
Old World Bronze Finish
1" Diameter Rod
Zinc Alloy Adjustable Flanges
Black Foot Pads
- q **52-5 – 5' Aluminum Shower Rod Set**
Polished Chrome Finish
1" Diameter Rod
Zinc Alloy Adjustable Flanges (52-F)
White Foot Pads
- q **52-5-SS – 5' Stainless Steel Shower Rod Set**
Polished Chrome Finish
1" Diameter Rod
Zinc Alloy Adjustable Flanges (52-F)
White Foot Pads
- q **52-6 – 6' Aluminum Shower Rod Set**
Polished Chrome Finish
1" Diameter Rod
Zinc Alloy Adjustable Flanges (52-F)
White Foot Pads

Dimensions:



Materials:

Aluminum Chrome Shower Rods are 28-gauge aluminum with a triple plated polished chrome finish.

"SS" Shower Rods are 28-gauge stainless steel with a triple plated polished chrome finish.

Old World Bronze Shower Rods are 20-gauge aluminum with a powder coated finish.

Installation Instructions:

1. Place flanges on both ends of shower rod.
2. Position rod assembly in desired location.
3. Tighten assembly against wall by twisting adjustment knob counter clockwise.

Stock Number: _____ **Shower Rod**
By Creative Specialties



25300 AL MOEN DRIVE • NORTH OLMSTED, OH 44070
CORPORATE HEADQUARTERS: (800) 321-8809 • FAX: (800) 848-6636
INTERNATIONAL: (440) 962-2000 • FAX: (440) 962-2726
CUSTOMER SERVICE (USA): 800-882-0116 • FAX: (888) 379-2720
WWW.CSI.MOEN.COM

©Copyright Creative Specialties International 2006

Literature # BA1391