

Premier Technical Specification

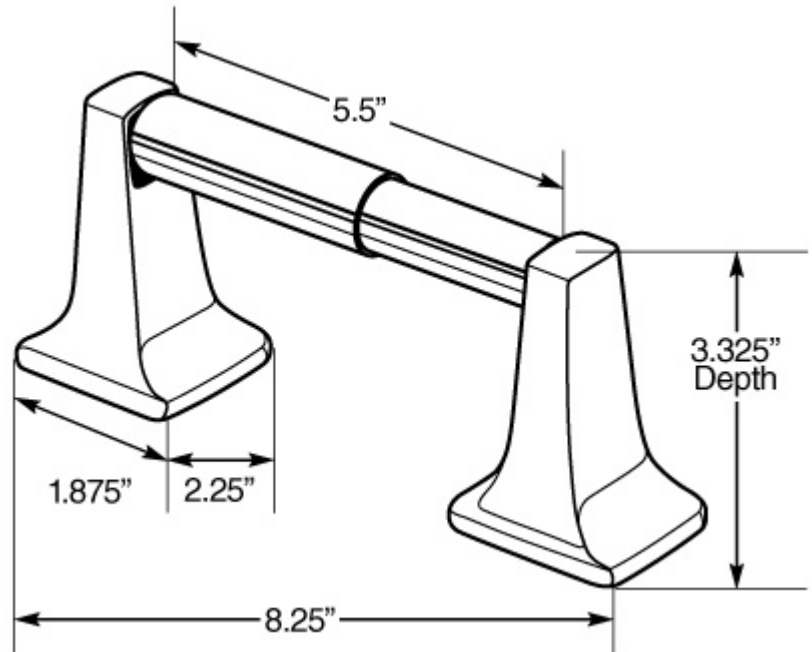
Paper Holder

505, 508

Stock Numbers:

- q **505CH – Paper Holder**
Chrome Finish
Chrome Roller
- q **508CH – Paper Holder**
Chrome Finish
White Roller

Dimensions:



Materials:

Paper Holder is die cast from highest quality zinc alloy (zamac). Castings are triple plated with a polished brass or polished chrome finish. Roller is plastic and spring loaded.

Installation Instructions:

1. Remove mounting brackets from back of fixture posts by loosening the set screws.
 2. Position unit on wall in desired location.
 3. Lightly mark the outlines of the base of the unit.
 4. Center mounting brackets inside the outlines.
 5. Mark hole locations. Attach brackets to wall using 1 ½" screws (provided).
 6. Mount posts on brackets. Tighten set screws on the bottoms.
- Note: Wood blocking is preferable behind all wall surfaces. If wood blocking is not available, the following optional fasteners are suggested: Tile/Masonry – Plastic or Lead Anchors; Plaster/Drywall – Toggle Bolts.

Cleaning Instructions:

To preserve the fine finish of this product, clean only with a soft damp cloth. Dry well. Do not use commercial or abrasive cleaners.

Stock Number: _____ **Paper Holder**
By CSI Bath Furnishings

