

## DESCRIPTION

- Metal and plastic construction with chrome plated, glacier, LifeShine® polished brass or Platinum finish
- 1/2" IPS connections
- Includes metal pop-up waste assembly on 4700 series
- Includes nonmetallic pop-up waste assembly on 84720 series.

## OPERATION

- Clear lever style handles
- Maximum handle rotation angle is 90° to full on for either handle
- Rotate hot side counterclockwise to open (clockwise to close)
- Rotate cold side clockwise to open (counterclockwise to close)
- Includes hot (red) and cold (blue) temperature indicators

## FLOW

- Aerator is limited to 2.2 gpm max (8.3 L/min)

## CARTRIDGE

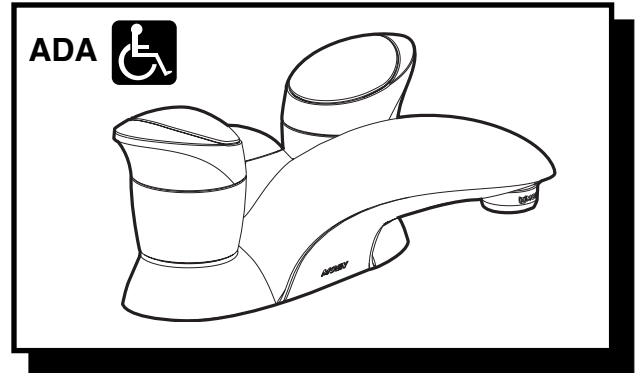
- 1224 cartridge design
- Nonmetallic and stainless steel material

## STANDARDS

- Third party certified to CSA and B125, ASME A112.18.1M, ANSI A117.1, and all applicable requirements referenced therein
- Certified to ANSI/NSF 61/9
- Complies with California Proposition 65 and with the Federal Safe Water Drinking Act

## WARRANTY

- Lifetime limited warranty against leaks, drips and finish defects to the original consumer purchaser
- 5 year warranty if used in commercial installations

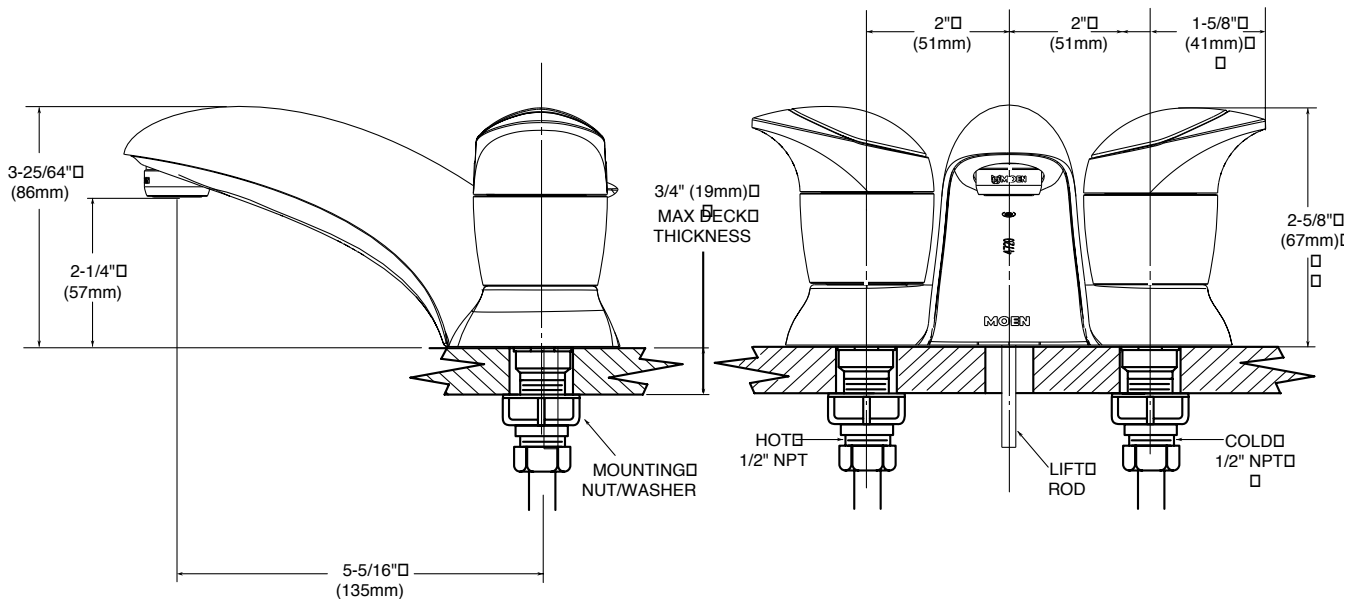


### VILLETA™ 4" Lavatory Faucet with Metal Waste Assembly

**Models: 4720, 4720CP,  
4720PM, 4720W, 84720**

**NOTE: See reverse side  
for illustrated parts and handle options**

**NOTE: THIS FAUCET IS DESIGNED TO BE  
INSTALLED THRU 3 HOLES, 1" MIN. DIA.**



## CRITICAL DIMENSIONS

(DO NOT SCALE)