

SPECIFICATIONS

DESCRIPTION

- Metal construction with various finishes identified by suffix
- 1/2" IPS connections
- Includes metal pop-up waste assembly
- Duralock™ quick connect installation

OPERATION

- Cold side clockwise to open (counterclockwise to close)
- Hot side counterclockwise to open (clockwise to close)
- Lever-style handles

FLOW

- Water usage is limited to these maximum flow rates as indicated by the corresponding product markings
- 1.2 gpm max (4.5L/min) at 60 psi
- 1.5 gpm max (4.7L/min) at 60 psi

CARTRIDGE

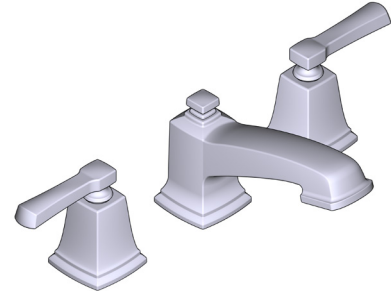
- 1234 cartridge design
- Nonmetallic and stainless steel material

STANDARDS

- Third party certified to WaterSense®, ASME A112.18.1/CSA B125.1, and all applicable requirements referenced therein
- Certified to NSF 61/9 & 372
- Complies with California Proposition 65 and with the Federal Safe Drinking Water Act
- Products marked with 1.2 gpm are compliant with California water efficiency regulations
- ADA for lever handles

WARRANTY

- Lifetime limited warranty against leaks, drips and finish defects to the original homeowner
- 10 year limited warranty when used in a multifamily installation
- 5 year limited warranty when used in a commercial installation
- Visit www.moen.com/support for complete details and limitations



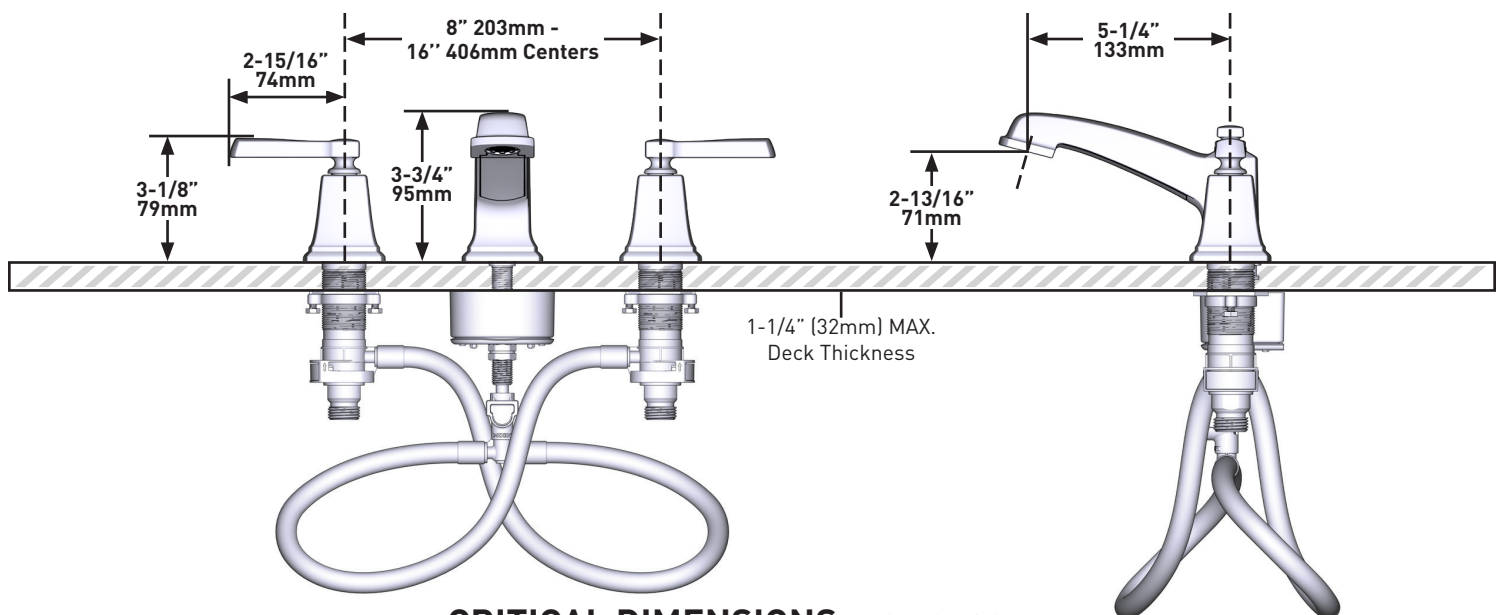
BOARDWALK™

Two-Handle Widespread Lavatory Faucet

MODEL: TV6220 Series

NOTE: SPOUT INSTALLS THROUGH 1-1/8" MIN. DIA. HOLE
VALVES INSTALL THROUGH 1-1/8" MM. DIA. HOLE.
FOR DECK THICKNESS 1-3/8" TO 3", USE SERVICE KIT
#175709. VALVES INSTALL THROUGH 1-1/4" DIA. HOLE.

ADA 



CRITICAL DIMENSIONS DO NOT SCALE