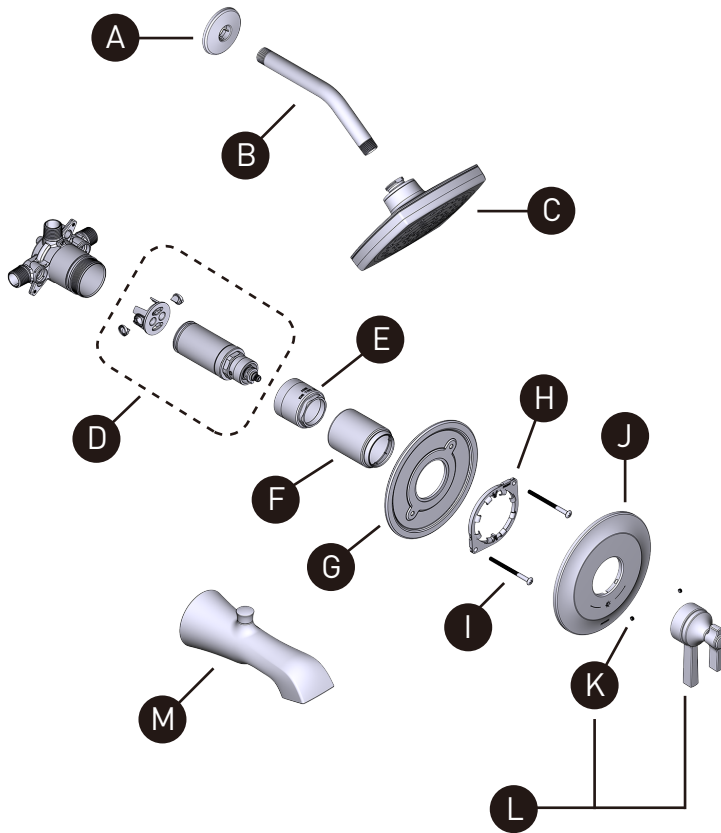


MOEN®

ORDER BY PART NUMBER

VALVE TRIM ONLY	SHOWER TRIM ONLY	TUB SHOWER TRIM	FINISH
UTS4910	UTS4912EP	UTS4913EP	Chrome
UTS4910BN	UTS4912EPBN	UTS4913EPBN	Brushed Nickel
	UTS4912EPBL		Matte Black
UTS4910BG	UTS4912EPBG	UTS4913EPBG	Brushed Gold
UTS4910NL		UTS4913EPNL	Polished Nickel

EP=1.75 GPM HEAD

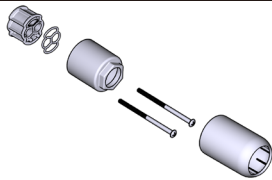


Illustrated Parts FLARA™

Thermostatic M-CORE™ 4-Series Trim

ID	Kit Number	Kit Description	Finish
A	Shower Arm Flange	137488	Chrome
		137488BN	Brushed Nickel
		137488BG	Brushed Gold
		137488NL	Polished Nickel
B	Shower Arm	123815	Chrome
		123815BN	Brushed Nickel
		123815BG	Brushed Gold
		123815NL	Polished Nickel
C	Showerhead (1.75 GPM)	S6365EP	Chrome
		S6365EPBN	Brushed Nickel
		S6365EPBG	Brushed Gold
		S6365EPNL	Polished Nickel
D	Cartridge Assembly	1214	N/A
E	Cartridge Nut	213751	N/A
		213779	Chrome
		213779BN	Brushed Nickel
F	Sleeve	213779BL	Matte Black
G	Backing Plate	200766	N/A
H	Snap Ring	200772	N/A
I	Backing Plate Screws (2)	200764	N/A
J	Escutcheon Kit	213761	Chrome
		213761BN	Brushed Nickel
		213761BL	Matte Black
K	Set Screw (Requires 3/32" Hex Key)	207317	N/A
L	Handle Kit	213773	Chrome
		213773BN	Brushed Nickel
		213773BL	Matte Black
M	Tub Spout	S989	Chrome
		S989BN	Brushed Nickel
		S989BG	Brushed Gold
		S989NL	Polished Nickel

OPTIONAL: 1" Handle Extension Kit



MODEL	FINISH
213752	Chrome
213752BN	Brushed Nickel
213752NL	Polished Nickel

