

DESCRIPTION

- 3/8" push to connect fitting connections
- Carbon block filter technology
- Electronic filter life indicator takes standard 2 AAA batteries (included)
- Compatible with S5510, S5520, S5530, S5535, S5540, S5550 and S5560 series beverage faucets when used with adapter 262578
- Advanced Filter F9820 included with F9800

OPERATION

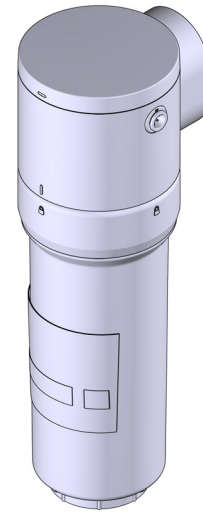
- Advanced Filter F9820: 845 gal (3,199 L)
- Basic Filter F9810: 500 gal (1,893 L) (available replacement option)
- Pressure: 30- 80 psi (207-552 kPA)
- Temperature: 35-100°F (2-38°C)
- Flow: 1.6 gpm

STANDARDS

- Third Party Certified to ANSI/NSF 42, 53 and 401 for the specific performance claims enumerated on the performance datasheet for the respective filter.
- Third party certified to NSF/ANSI 372 and CSA B483.1

WARRANTY

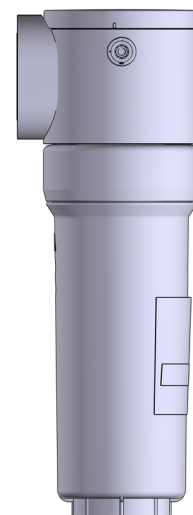
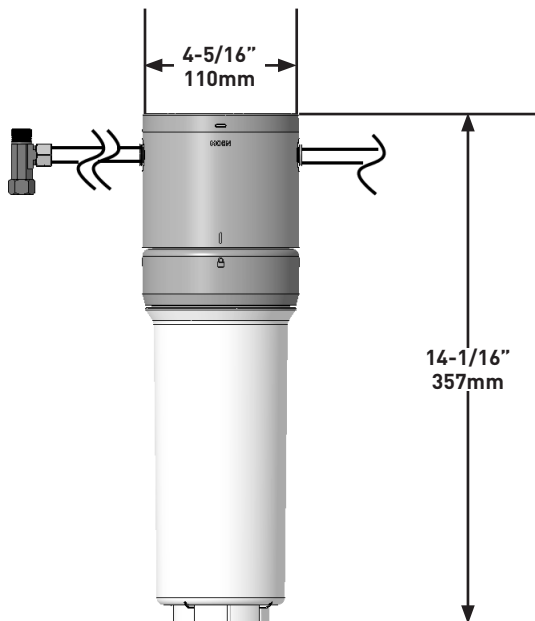
- Lifetime limited warranty against leaks, drips and finish defects to the original homeowner
 - 10 year limited warranty when used in a multifamily installation
 - 5 year limited warranty when used in a commercial installation
- Visit www.moen.com/support for complete details and limitations



Moen®

**Single Stage Under Sink Advanced
Water Filtration System**

MODELS: F9800



CRITICAL DIMENSIONS DO NOT SCALE