

## DESCRIPTION

- 3/8" push to connect fitting connections
- Carbon block filter technology
- Electronic filter life indicator takes standard 2 AAA batteries (included)
- Compatible with S5510, S5520, S5530, S5535, S5540, S5550 and S5560 series beverage faucets when used with adapter 262578
- Advanced Filter F9820 included with F9800

## OPERATION

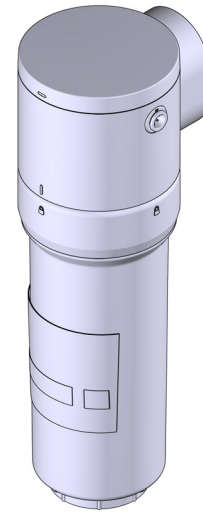
- Advanced Filter F9820: 845 gal (3,199 L)
- Basic Filter F9810: 500 gal (1,893 L) (available replacement option)
- Pressure: 30- 80 psi (207-552 kPA)
- Temperature: 35-100°F (2-38°C)
- Flow: 1.6 gpm

## STANDARDS

- Third Party Certified to ANSI/NSF 42, 53 and 401 for the specific performance claims enumerated on the performance datasheet for the respective filter.
- Third party certified to NSF/ANSI 372 and CSA B483.1

## WARRANTY

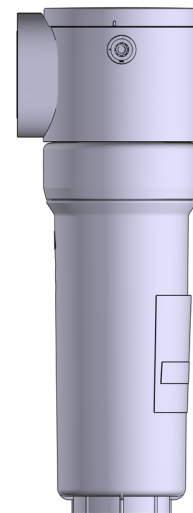
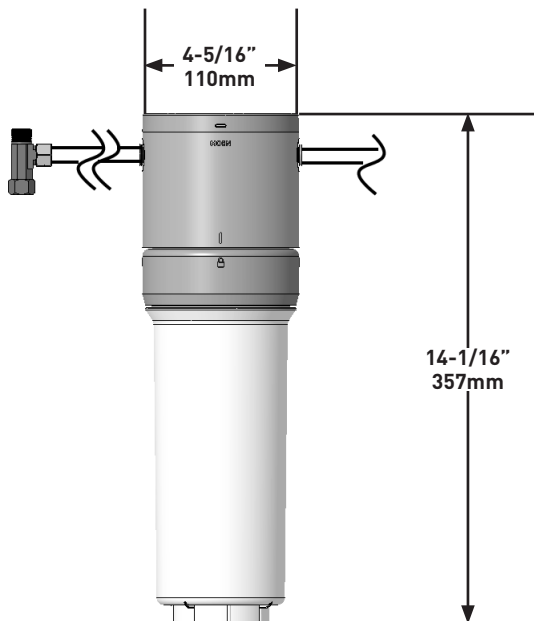
- 30 day limited warranty on manufacturer's defects to the original consumer purchaser.



**Moen®**

**Single Stage Under Sink Advanced Water Filtration System**

**MODELS:** F9800



**CRITICAL DIMENSIONS** DO NOT SCALE