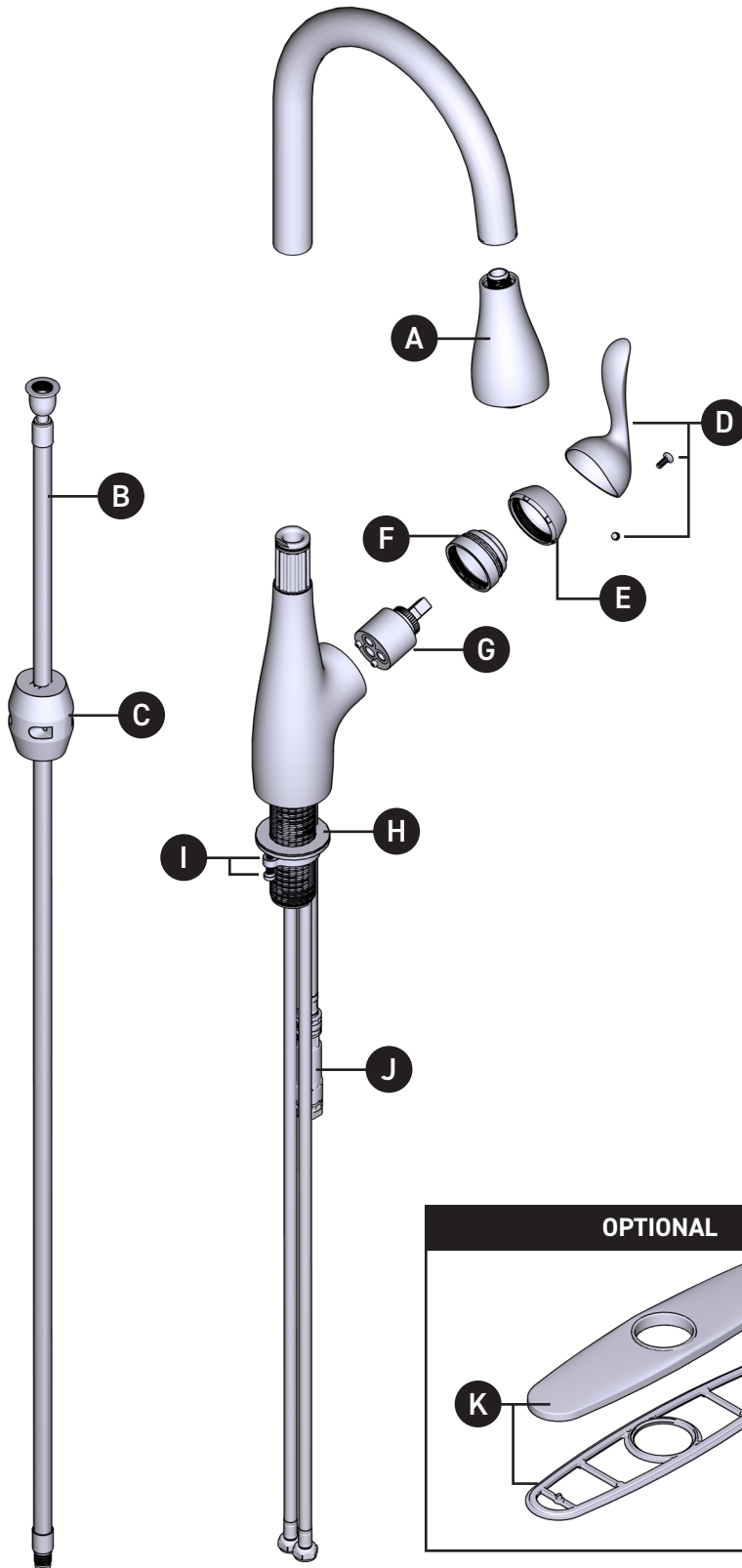


**MODEL**  
4736

**HANDLE**  
Lever

**FINISH**  
Chrome



ID	Kit Description	Kit Number	Finish
A	Spout Wand	210017	Chrome
B	Pulldown Hose	210021	Chrome
C	Hose Weight	201731	N/A
D	Handle Kit	210018	Chrome
E	Handle Dome	210019	Chrome
F	Cartridge Nut	210020	Chrome
G	Cartridge	210381	N/A
H	Gasket Kit	201730	N/A
I	Mounting Hardware	201732	N/A
J	Quick Connect Fitting	210370	N/A
K	Escutcheon & Gasket	141002	Chrome

