

# Mason™ Technical Specification

## 18" & 24" Towel Bar

## YB8098 & YB8094

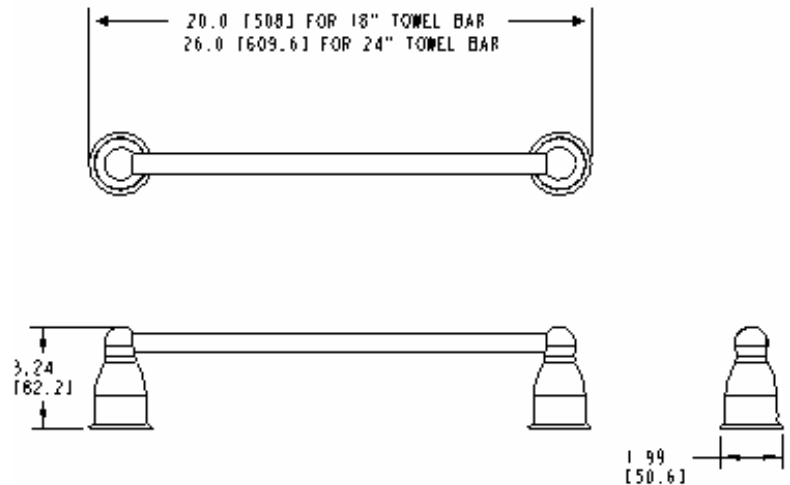
### Stock Numbers:

- q **YB8000CH – Mounting Posts**  
Chrome Finish
- q **YB8098CH – 18" Towel Bar**  
Chrome Finish
- q **YB8094CH – 24" Towel Bar**  
Chrome Finish
- q **YB8000CP – Mounting Posts**  
Chrome / Polished Brass Finish  
For CP, use YB8098CH or YB8094CH
- q **YB8000PB – Mounting Posts**  
Polished Brass Finish
- q **YB8098PB – 18" Towel Bar**  
Polished Brass Finish
- q **YB8094PB – 24" Towel Bar**  
Polished Brass Finish
- q **YB8000BC – Mounting Posts**  
Brushed Chrome Finish
- q **YB8098BC – 18" Towel Bar**  
Brushed Chrome Finish
- q **YB8094BC – 24" Towel Bar**  
Brushed Chrome Finish
- q **YB8000SN – Mounting Posts**  
Satin Nickel Finish
- q **YB8098SN – 18" Towel Bar**  
Satin Nickel Finish
- q **YB8094SN – 24" Towel Bar**  
Satin Nickel Finish

### Materials:

Towel bar posts are constructed of zinc. Bar is constructed of aluminum.

### Dimensions:



### Installation Instructions:

1. Position Pro-Fit Installation Mounting Template on wall in desired location.
2. Using level align the template to the wall.
3. Using 1/4" drill bit, drill one pilot hole for each post.
4. Position mounting post to wall by inserting wall anchor into pilot hole and pressing firmly.
5. Make sure that locking tab on mounting post is facing down (6 o'clock).
6. Tighten wall anchor screw while holding mounting post firmly in place.
7. Towel bar must be attached to mounting posts as a unit – insert towel bar into each post.
8. Attach posts by pressing firmly to mounting posts until it clicks. (The square opening at the base of the post must be facing down to match-up with locking tab.)

### Cleaning Instructions:

To preserve the fine finish of this product, clean only with a soft damp cloth. Dry well. Do not use commercial or abrasive cleaners.

**Stock Number:** \_\_\_\_\_ **Towel Bar**  
By Creative Specialties



25300 AL MOEN DRIVE • NORTH OLMSSTED, OH 44070  
CORPORATE HEADQUARTERS: (800) 321-8809 • FAX: (800) 848-6636  
INTERNATIONAL: (440) 962-2000 • FAX: (440) 962-2726  
CUSTOMER SERVICE (USA): 800-882-0116 • FAX: (888) 379-2720

©Copyright Creative Specialties International 2004

Literature #BA1229

# Mason® Technical Specification

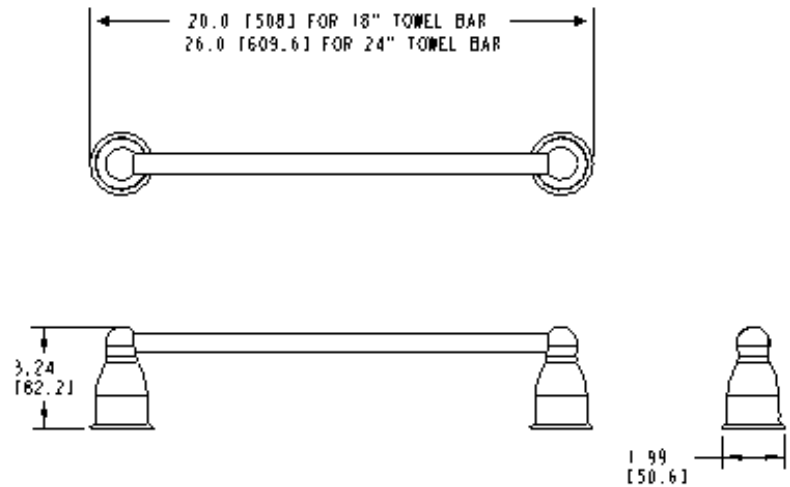
## 18" & 24" Towel Bar

## YB8098 & YB8094

### Stock Numbers:

- YB8000CH – Mounting Posts**  
Chrome Finish
- YB8098CH – 18" Towel Bar**  
Chrome Finish
- YB8094CH – 24" Towel Bar**  
Chrome Finish
- YB8000OWB – Mounting Posts**  
Old World Bronze Finish
- YB8098OWB – 18" Towel Bar**  
Old World Bronze Finish
- YB8094OWB – 24" Towel Bar**  
Old World Bronze Finish
- YB8000PB – Mounting Posts**  
Polished Brass Finish
- YB8098PB – 18" Towel Bar**  
Polished Brass Finish
- YB8094PB – 24" Towel Bar**  
Polished Brass Finish
- YB8000BC – Mounting Posts**  
Brushed Chrome Finish
- YB8098BC – 18" Towel Bar**  
Brushed Chrome Finish
- YB8094BC – 24" Towel Bar**  
Brushed Chrome Finish
- YB8000SN – Mounting Posts**  
Satin Nickel Finish
- YB8098SN – 18" Towel Bar**  
Satin Nickel Finish
- YB8094SN – 24" Towel Bar**  
Satin Nickel Finish

### Dimensions:



### Installation Instructions:

1. Position Pro-Fit Installation Mounting Template on wall in desired location.
2. Using level align the template to the wall.
3. Using 1/4" drill bit, drill one pilot hole for each post.
4. Position mounting post to wall by inserting wall anchor into pilot hole and pressing firmly.
5. Make sure that locking tab on mounting post is facing down (6 o'clock).
6. Tighten wall anchor screw while holding mounting post firmly in place.
7. Towel bar must be attached to mounting posts as a unit – insert towel bar into each post.
8. Attach posts by pressing firmly to mounting posts until it clicks. (The square opening at the base of the post must be facing down to match-up with locking tab.)

### Materials:

Towel bar posts are constructed of zinc. Bar is constructed of aluminum.

### Cleaning Instructions:

To preserve the fine finish of this product, clean only with a soft damp cloth. Dry well. Do not use commercial or abrasive cleaners.

**Stock Number:** \_\_\_\_\_ **Towel Bar**  
**By Creative Specialties**



25300 AL MOEN DRIVE • NORTH OLMSTED, OH 44070  
CORPORATE HEADQUARTERS: (800) 321-8809 • FAX: (800) 848-6636  
INTERNATIONAL: (440) 962-2000 • FAX: (440) 962-2726  
CUSTOMER SERVICE (USA): 800-882-0116 • FAX: (888) 379-2720  
WWW.MOEN.COM

©Copyright Creative Specialties International

Literature #BA1229