

Mason® Technical Specification

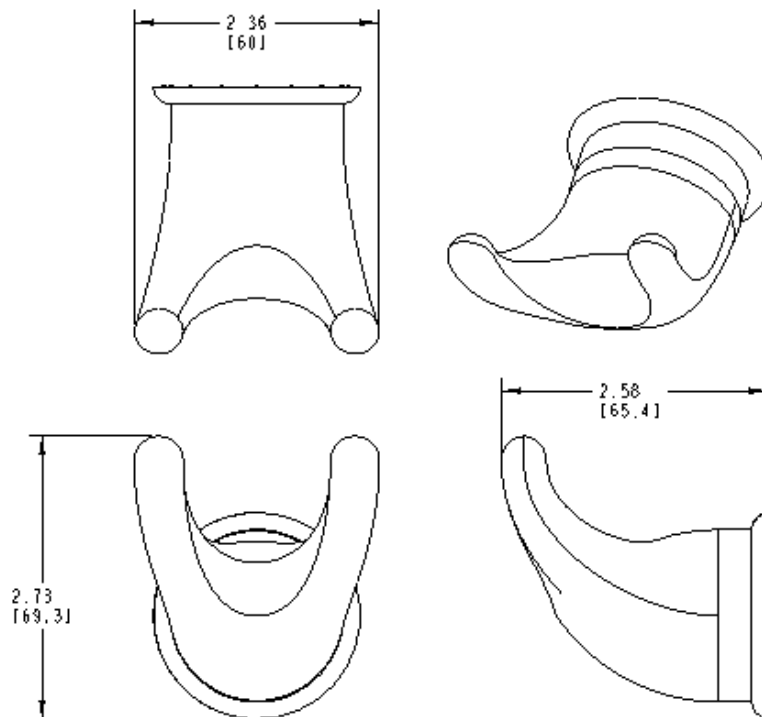
Robe Hook

YB8003

Stock Numbers:

- ❑ YB8003CH – Robe Hook
Chrome Finish
- ❑ YB8003OWB – Robe Hook
Old World Bronze Finish
- ❑ YB8003PB – Robe Hook
Polished Brass Finish
- ❑ YB8003BC – Robe Hook
Brushed Chrome Finish
- ❑ YB8003SN – Robe Hook
Satin Nickel Finish

Dimensions:



Materials:

Robe Hook is constructed of zinc.

Installation Instructions:

1. Locate position where robe hook should be installed.
2. Using 1/4" drill bit, drill one pilot hole.
3. Position mounting post to wall by inserting wall anchor into pilot hole and pressing firmly.
4. Make sure that locking tab on mounting post is facing down (6 o'clock).
5. Tighten wall anchor screw while holding mounting post firmly in place.
6. Attach robe hook by pressing firmly to mounting post until it clicks. (The square opening at the base of the post must be facing down to match-up with locking tab.)
7. Place spring roller into each post.

Cleaning Instructions:

To preserve the fine finish of this product, clean only with a soft damp cloth. Dry well. Do not use commercial or abrasive cleaners.

Stock Number: _____ Robe Hook
By Creative Specialties



25300 AL MOEN DRIVE • NORTH OLMSTED, OH 44070
CORPORATE HEADQUARTERS: (800) 321-8809 • FAX: (800) 848-6636
INTERNATIONAL: (440) 962-2000 • FAX: (440) 962-2726
CUSTOMER SERVICE (USA): 800-882-0116 • FAX: (888) 379-2720
WWW.MOEN.COM

©Copyright Creative Specialties International

Literature #BA1227

Mason® Technical Specification

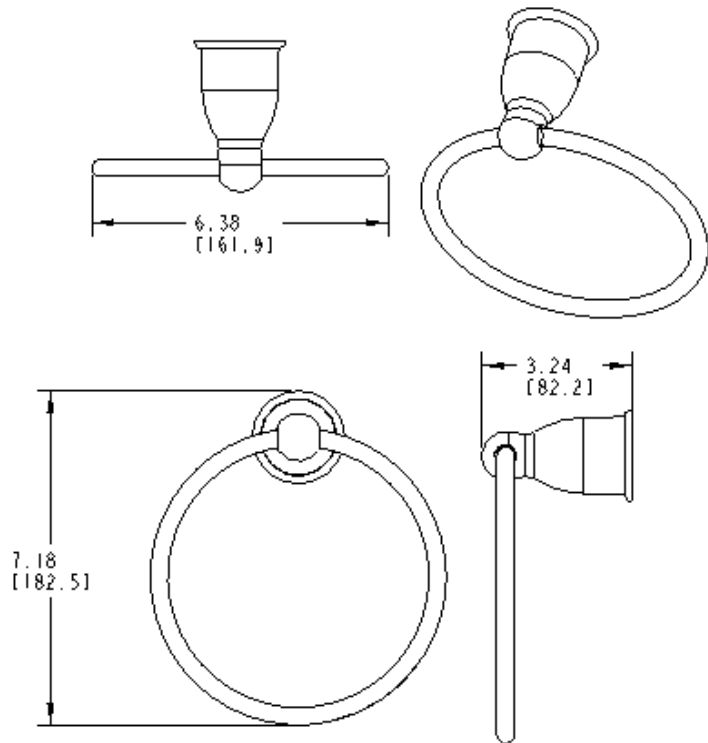
Towel Ring

YB8086

Stock Numbers:

- ❑ **YB8086CH – Towel Ring**
Chrome Finish
- ❑ **YB8086OWB – Towel Ring**
Old World Bronze Finish
- ❑ **YB8086PB – Towel Ring**
Polished Brass Finish
- ❑ **YB8086BC – Towel Ring**
Brushed Chrome Finish
- ❑ **YB8086SN – Towel Ring**
Satin Nickel Finish

Dimensions:



Materials:

Towel Ring post is constructed of zinc. Ring is aluminum.

Installation Instructions:

1. Locate position where towel ring should be installed.
2. Using 1/4" drill bit, drill one pilot hole.
3. Position mounting post to wall by inserting wall anchor into pilot hole and pressing firmly.
4. Make sure that locking tab on mounting post is facing down (6 o'clock).
5. Tighten wall anchor screw while holding mounting post firmly in place.
6. Attach towel ring by pressing firmly to mounting post until it clicks. (The square opening at the base of the post must be facing down to match-up with locking tab.)
7. Place spring roller into each post.

Cleaning Instructions:

To preserve the fine finish of this product, clean only with a soft damp cloth. Dry well. Do not use commercial or abrasive cleaners.

Stock Number: _____ **Towel Ring**
By Creative Specialties



25300 AL MOEN DRIVE • NORTH OLMSTED, OH 44070
CORPORATE HEADQUARTERS: (800) 321-8809 • FAX: (800) 848-6636
INTERNATIONAL: (440) 962-2000 • FAX: (440) 962-2726
CUSTOMER SERVICE (USA): 800-882-0116 • FAX: (888) 379-2720
WWW.MOEN.COM

©Copyright Creative Specialties International

Literature #BA1230

Mason® Technical Specification

18" & 24" Towel Bar

YB8098 & YB8094

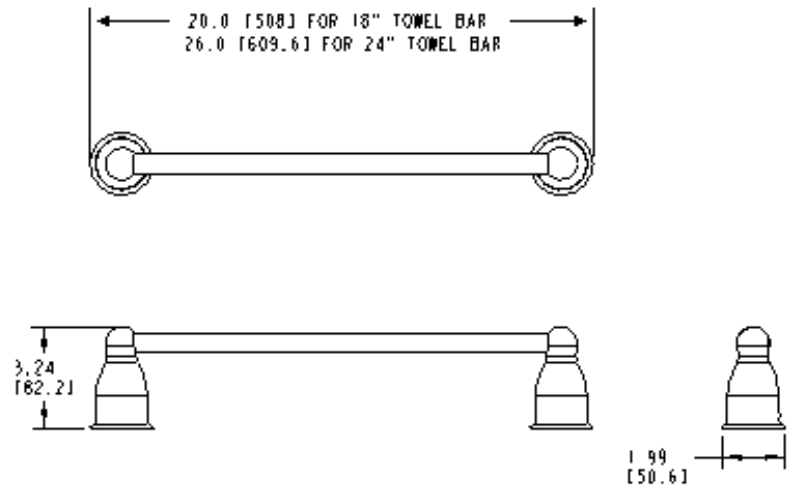
Stock Numbers:

- YB8000CH – Mounting Posts**
Chrome Finish
- YB8098CH – 18" Towel Bar**
Chrome Finish
- YB8094CH – 24" Towel Bar**
Chrome Finish
- YB8000OWB – Mounting Posts**
Old World Bronze Finish
- YB8098OWB – 18" Towel Bar**
Old World Bronze Finish
- YB8094OWB – 24" Towel Bar**
Old World Bronze Finish
- YB8000PB – Mounting Posts**
Polished Brass Finish
- YB8098PB – 18" Towel Bar**
Polished Brass Finish
- YB8094PB – 24" Towel Bar**
Polished Brass Finish
- YB8000BC – Mounting Posts**
Brushed Chrome Finish
- YB8098BC – 18" Towel Bar**
Brushed Chrome Finish
- YB8094BC – 24" Towel Bar**
Brushed Chrome Finish
- YB8000SN – Mounting Posts**
Satin Nickel Finish
- YB8098SN – 18" Towel Bar**
Satin Nickel Finish
- YB8094SN – 24" Towel Bar**
Satin Nickel Finish

Materials:

Towel bar posts are constructed of zinc. Bar is constructed of aluminum.

Dimensions:



Installation Instructions:

1. Position Pro-Fit Installation Mounting Template on wall in desired location.
2. Using level align the template to the wall.
3. Using 1/4" drill bit, drill one pilot hole for each post.
4. Position mounting post to wall by inserting wall anchor into pilot hole and pressing firmly.
5. Make sure that locking tab on mounting post is facing down (6 o'clock).
6. Tighten wall anchor screw while holding mounting post firmly in place.
7. Towel bar must be attached to mounting posts as a unit – insert towel bar into each post.
8. Attach posts by pressing firmly to mounting posts until it clicks. (The square opening at the base of the post must be facing down to match-up with locking tab.)

Cleaning Instructions:

To preserve the fine finish of this product, clean only with a soft damp cloth. Dry well. Do not use commercial or abrasive cleaners.

Stock Number: _____ **Towel Bar**
By Creative Specialties



25300 AL MOEN DRIVE • NORTH OLMSTED, OH 44070
CORPORATE HEADQUARTERS: (800) 321-8809 • FAX: (800) 848-6636
INTERNATIONAL: (440) 962-2000 • FAX: (440) 962-2726
CUSTOMER SERVICE (USA): 800-882-0116 • FAX: (888) 379-2720
WWW.MOEN.COM

©Copyright Creative Specialties International

Literature #BA1229

Mason® Technical Specification

Paper Holder

YB8099

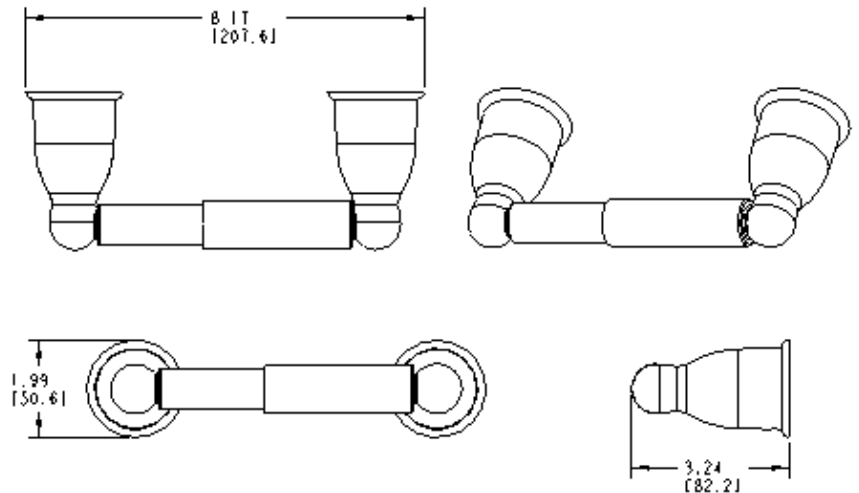
Stock Numbers:

- ❑ **YB8000CH – Mounting Posts**
Chrome Finish
- ❑ **YB8099CH – Paper Roller**
Chrome Finish
- ❑ **YB8000OWB – Mounting Posts**
Old World Bronze Finish
- ❑ **YB8099OWB – Mounting Posts**
Old World Bronze Finish
- ❑ **YB8000PB – Mounting Posts**
Polished Brass Finish
- ❑ **YB8099PB – Paper Roller**
Polished Brass Finish
- ❑ **YB8000BC – Mounting Posts**
Brushed Chrome Finish
- ❑ **YB8099BC – Paper Roller**
Brushed Chrome Finish
- ❑ **YB8000SN – Mounting Posts**
Satin Nickel Finish
- ❑ **YB8099SN – Paper Roller**
Satin Nickel Finish

Materials:

Paper Holder posts are constructed of zinc. Roller is plastic.

Dimensions:



Installation Instructions:

1. Position Pro-Fit Installation Mounting Template on wall in desired location.
2. Using level align the template to the wall.
3. Using 1/4" drill bit, drill one pilot hole for each post.
4. Position mounting post to wall by inserting wall anchor into pilot hole and pressing firmly.
5. Make sure that locking tab on mounting post is facing down (6 o'clock).
6. Tighten wall anchor screw while holding mounting post firmly in place.
7. Attach post by pressing firmly to mounting post until it clicks. (The square opening at the base of the post must be facing down to match-up with locking tab.)
8. Place spring roller into each post.

Cleaning Instructions:

To preserve the fine finish of this product, clean only with a soft damp cloth. Dry well. Do not use commercial or abrasive cleaners.

Stock Number: _____ **Paper Holder**
By Creative Specialties



25300 AL MOEN DRIVE • NORTH OLMSTED, OH 44070
CORPORATE HEADQUARTERS: (800) 321-8809 • FAX: (800) 848-6636
INTERNATIONAL: (440) 962-2000 • FAX: (440) 962-2726
CUSTOMER SERVICE (USA): 800-882-0116 • FAX: (888) 379-2720
WWW.MOEN.COM

©Copyright Creative Specialties International

Literature #BA1228