



Buy it for looks. Buy it for life.®

# Specifications

## DESCRIPTION

- Various finishes identified by suffix
- Handheld shower
- 69" double interlock spiral hose (metal)
- Double check valves in handshower
- 30" slide bar with push button height selection

## OPERATION

- 4-function: massage, vigorous, full and combination: rotate outer ring to select
- Handshower holder rotates to adjust angle of hand shower

## FLOW

- EP suffix models are limited to 2.0 gpm (7.6 L/min) max for products manufactured prior to June 30, 2018. EP suffix models manufactured after June 30, 2018 are limited to 1.75 gpm (6.7 L/min) max.

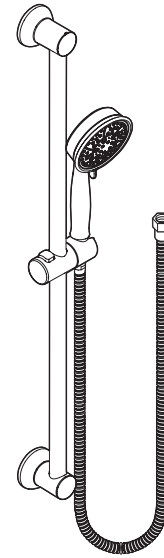
## STANDARDS

- Designed and manufactured to comply with the applicable requirements of ASME A112.18.1/CSA B-125.1 and ASSE 1014 and all applicable specifications referenced therein
- EP suffix models are third party certified to WaterSense®

## WARRANTY

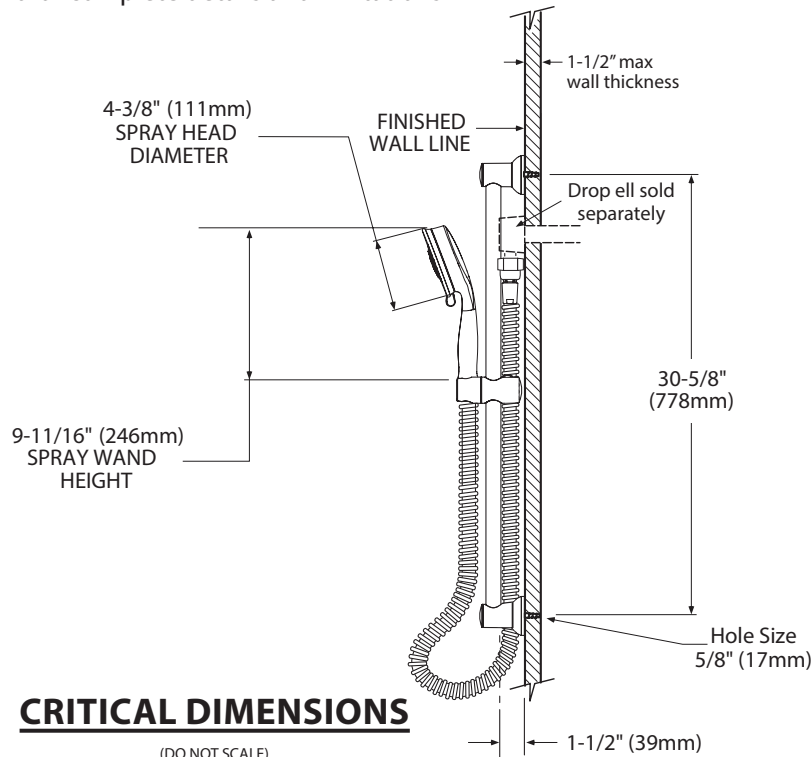
- Lifetime limited warranty against leaks, drips and finish defects to the original homeowner
- 10 year limited warranty when used in a multifamily installation
- 5 year limited warranty when used in a commercial installation

Visit [www.moen.com/support](http://www.moen.com/support) for complete details and limitations



## 4-Function Massaging Handshower w/Slide Bar

Models: 3667EP series





Buy it for looks. Buy it for life.®

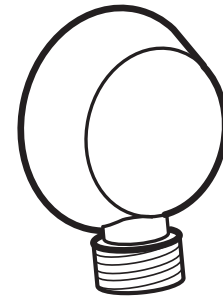
# Specifications

## DESCRIPTION

- Metal construction with various finishes identified by suffix

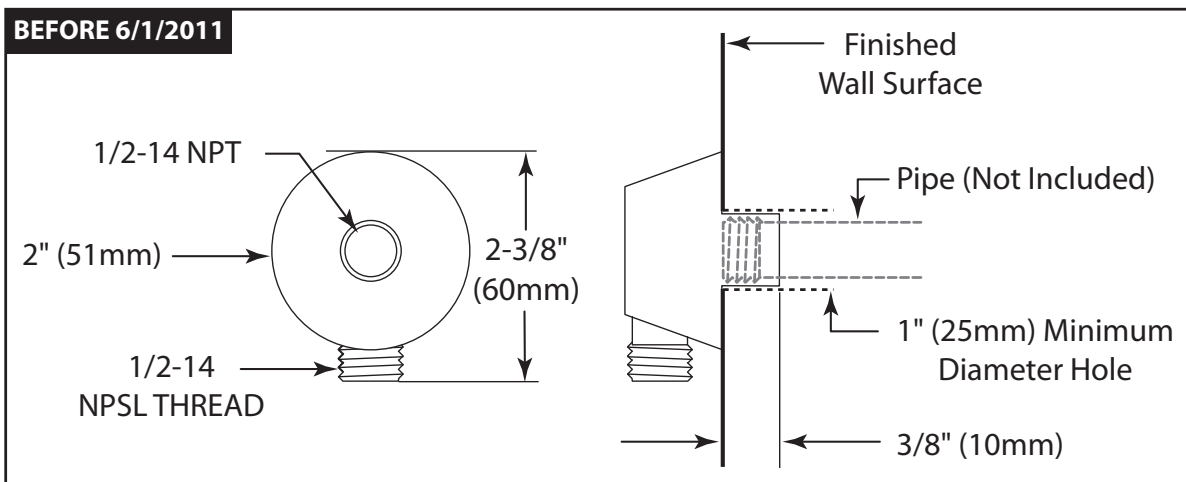
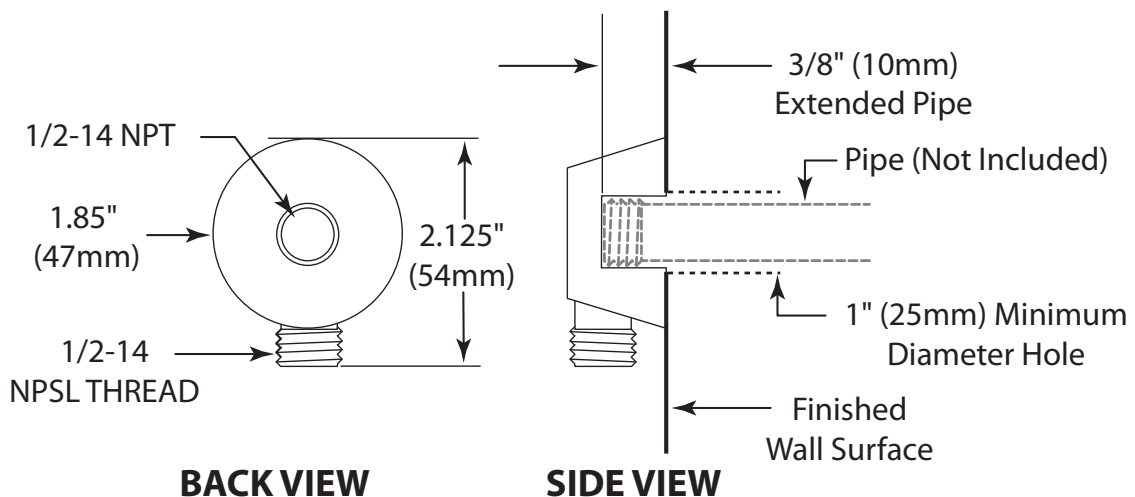
## WARRANTY

- Warranted for one year against material or manufacturing defects



**DROP ELL**

**Models:** A725 series



## CRITICAL DIMENSIONS

(DO NOT SCALE)