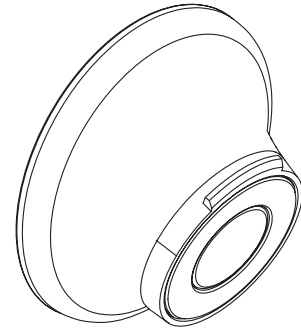


## DESCRIPTION

- Metal construction with various finishes identified by suffix

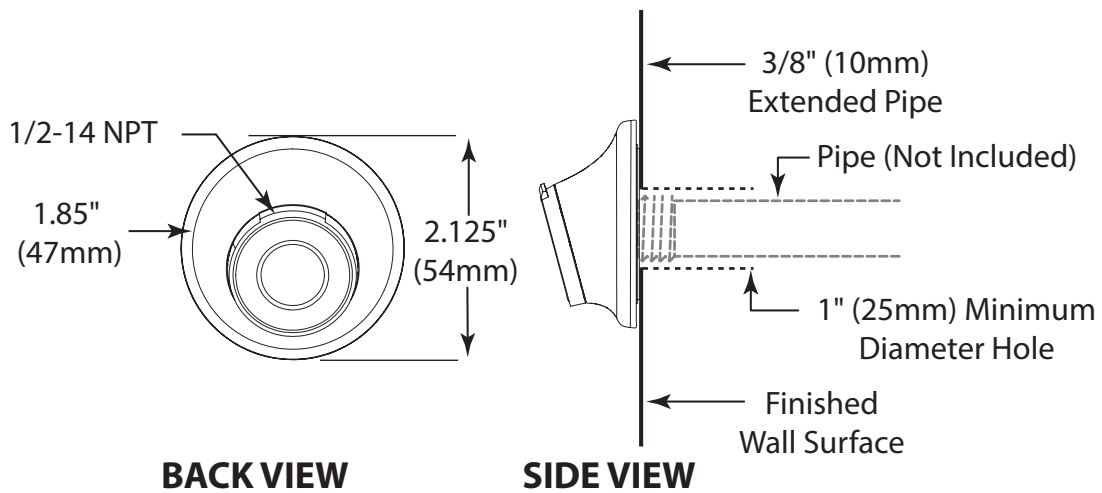
## WARRANTY

- Warranted for one year against material or manufacturing defects



**Magnetix™  
Remote Cradle**

**Model:** 186117 series



## CRITICAL DIMENSIONS

(DO NOT SCALE)

# MOEN®

## Specifications

### DESCRIPTION

- Various finishes identified by suffix
- Handshower with adjustable Magnetix™ docking
- 59" double interlock spiral hose (metal)

### OPERATION

- Six function
- Magnetix™ docking rotates to adjust angle of handshower

### FLOW

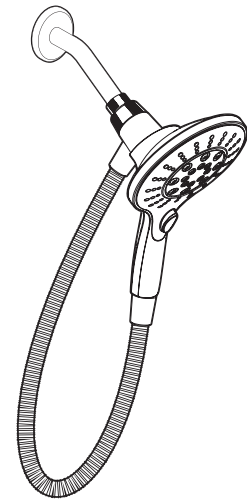
- Designed to deliver 2.5 gpm (6.62 L/min) at 80 psi  
(for models manufactured after 3/1/18)
- Designed to deliver 2.0 gpm (9.5 L/min) at 80 psi  
(for models manufactured before 3/1/18)
- EP suffix models are limited to 1.75 gpm (6.62 L/min) at 80 psi

### STANDARDS

- Designed and manufactured to comply with the applicable requirements of ASME A112.18.1/CSA B-125.1, ASSE 1014 and all applicable specifications referenced therein

### WARRANTY

- Lifetime limited warranty against leaks, drips and finish defects to the original homeowner
  - 10 year limited warranty when used in a multifamily installation
  - 5 year limited warranty when used in a commercial installation
- Visit [www.moen.com/support](http://www.moen.com/support) for complete details and limitations



**Engage™  
Handshower  
with Magnetix™ Docking & Hose**

**Model: 26112 series**



**EP Suffix  
Models Only**

