

# MOEN®

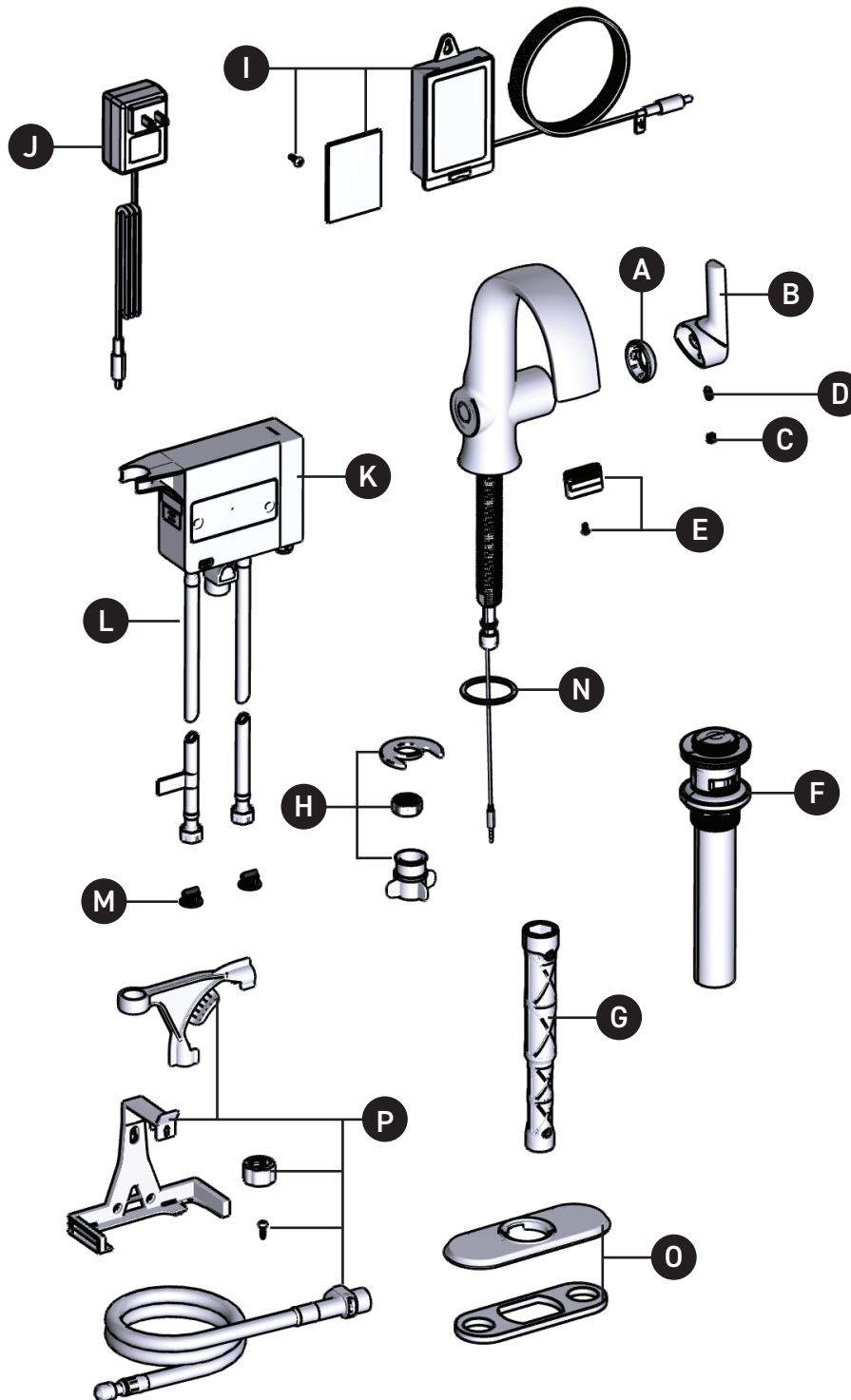
ORDER BY PART NUMBER

## Illustrated Parts

### DOUX™

Hands-Free, Single-Handle Lavatory Faucet

MODEL	HANDLE	FINISH
S6910EW	Lever	Chrome
S6910EWBN	Lever	Brushed Nickel
S6910EWBL	Lever	Matte Black



ID	Kit Description	Kit Number	Finish
A	Handle Dome	160660	Chrome
		160660BN	Brushed Nickel
		160660BL	Matte Black
B	Handle Kit	190845	Chrome
		190845BN	Brushed Nickel
		190845BL	Matte Black
C	Plug Button Kit	152859	Chrome
		152859CSL	Brushed Nickel
		152859BL	Matte Black
D	Handle Kit Set Screw (Requires 3/32" Hex Key)	155023	
E	Aerator Kit (includes Tool)	190843	1.2 gpm
F	Waste Assembly (with Overflow)	131553	Chrome
		131553CSL	Brushed Nickel
		131553BL	Matte Black
G	Installation Tool	118305	
H	Mounting Hardware	212267	
I	Battery Holder & Hardware Pack (6AA Batteries Not Included)	177567	
J	AC Adapter with Power Splitter (sold Separately)	169031	
K	Control Box Only (Includes (x2) Supply Hose Assemblies)	177569	
L	Control Box Supply Hose Assemblies	177572	
M	Filter Screen (x2)	197171	
N	Deck Gasket	150567	
O	Escutcheon Kit	150568	Chrome
		150568BN	Brushed Nickel
		150568BL	Matte Black
P	Wall Mount Service Kit	177566	