

Model Number	Faucet Holes	Depth-Inches	Drain Placement
FC331910	N/A	10"	Center



Apron Front Single Bowl Kitchen Sink

FEATURES

- Fine fireclay construction
- Sink is finished on all four sides
- 3-1/2" center drain
- Stainless steel bottom sink rack and chrome strainer included
- Requires an additional flange if using a garbage disposal (not included)
- Requires support frame in cabinetry

STANDARD COLORS

- White (001)

NOMINAL DIMENSIONS

- 33"X19"X10"

BOWL INSIDE DIMENSIONS

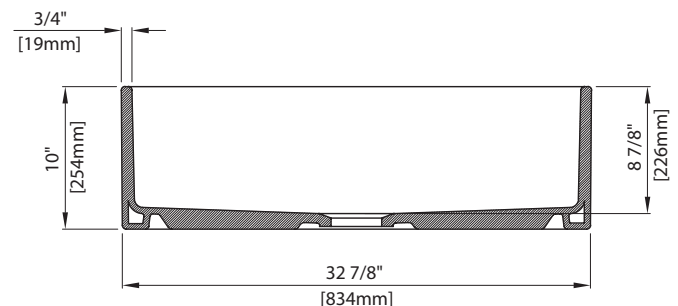
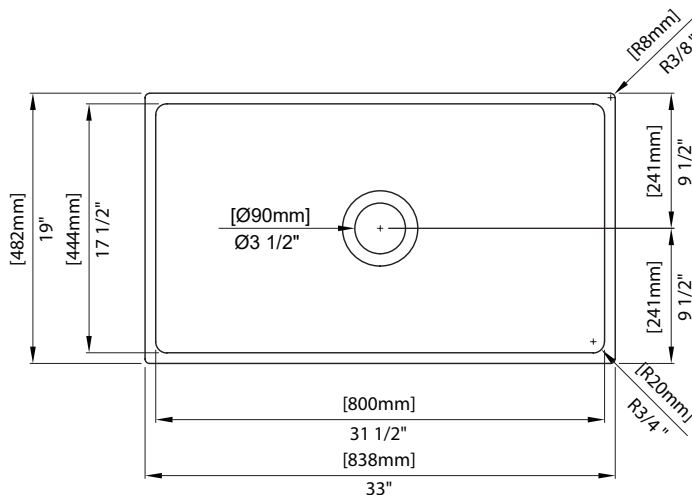
- 31 1/2" (800mm) wide
- 17 1/2" (444mm) front to back
- 8 7/8" (226mm) depth

COMPONENTS INCLUDED THE BOX

- 2300 0004 - 31 1/2"X17 1/2"
- SS SINK RACK - CHROME (1pc)
- 2330 0001 - SINK STRAINER - CHROME (1pc)

COMPLIANCE CERTIFICATIONS

- Meet or Exceeds ASME A112.19.2 / CSA B45.1



CRITICAL DIMENSIONS

(DO NOT SCALE)

NOTES: Refer to installation instructions supplied with kitchen sink for undermount, countertop or above counter custom installations.

Due to the fireclay process, dimensions may vary. Please use the actual sink that you will be installing in order to determine the cutout dimensions for your countertop.

CAUTION: Sink is heavy! Installer must provide adequate reinforcement for all load-bearing supports in accordance with installation instructions supplied with kitchen sink.

Fittings not included with fixture and must be ordered separately.

IMPORTANT: Dimensions of fixtures are nominal and may vary within the range of tolerance established by ANSI standards. These measurements are subject to change or cancellation. No responsibility is assumed for use of superseded or voided pages.