

MOEN®

The *Host* Series

Specifications

Disposal Description

- Part of the Moen Disposal Host™ Series: for advanced cleanup power. Includes enhanced features, powerful performance and reliable functionality.
- 360° Clean Rinse design eliminates odors
- Fast Track™ enhanced features for faster installation
 - Simple Snap Tool quickly secures mounting assembly
 - Easy Open Dishwasher Inlet: no tools required
- 3/4 Horsepower VORTEX™ Motor has powerful grinding capabilities to eliminate tough kitchen scraps. Motor technology designed to help reduce jamming
- Universal Xpress Mount™ fits all Moen and most existing 3-bolt mounting assemblies
- Pre-installed power cord - a savings over models where cord must be purchased separately, cord easily removes for optional hardwiring
- SoundSHIELD™ sound deadening insulation
- Compact design frees up space under the sink
- Manual Reset Button
- Garbage disposals reduce waste sent to landfills making it an eco-friendly option for your home
- Continuous feed with stainless steel turntable & galvanized grind components

Included Components

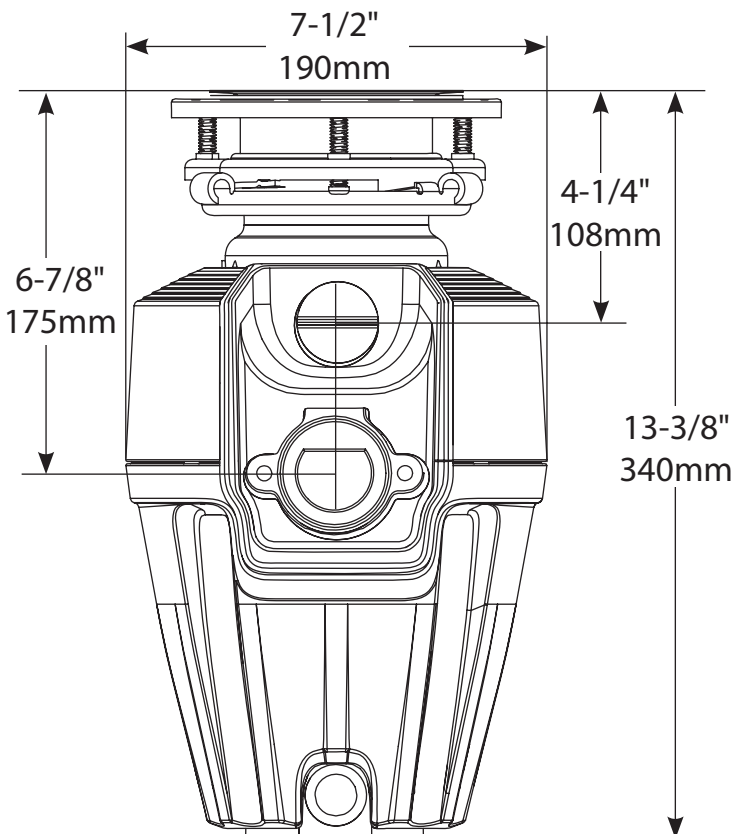
- EX75c Disposal Unit with Universal Xpress Mount™
- Pre-installed Power Cord, Hardwire Capable
- Removable Splash Guard
- Polished Stainless Steel Sink Flange and Drain Stopper
- Drain Elbow and Mounting Assembly
- Simple Snap tool
- Dishwasher inlet

Warranty & Assurance

- 10 year limited warranty with in-home service
- Safe for use with properly sized septic systems



Model: EX75c



| Specification Detail | |
|------------------------------|--|
| Horsepower | 3/4 HP |
| Feed Type | Continuous |
| On/Off Controls | Wall Switch |
| Motor Type | Permanent Magnet Motor |
| RPM (Revolutions Per Minute) | 2700 |
| Weight | 9.25 lbs/ 4.2 kg |
| Volts | 115 |
| Hz/Amps | 60/4.5 |
| Drain Connection Size | 1 1/2" / 38mm |
| Dishwasher Connection Size | 7/8" / 22mm |
| Maximum Sink Thickness | 1/2" / 13mm |
| Sink Drain Flange Finish | Stainless Steel |
| Turntable Material | Stainless Steel |
| Grind Component Material | Galvanized Steel |
| Grind Chamber Material | Corrosion Proof Glass Filled Polyester and Nylon |