

DESCRIPTION

- Brass construction
- 1/2" CC or IPS connections
- Thermostatic pressure balancing valve design with integral checkstops

OPERATION

- Thermostatic pressure balancing mechanism maintains selected discharge temperature to $\pm 3^{\circ}\text{F}$
- Factory established temperature range from 85°F (29°C) to 115°F (46°C)

CARTRIDGE

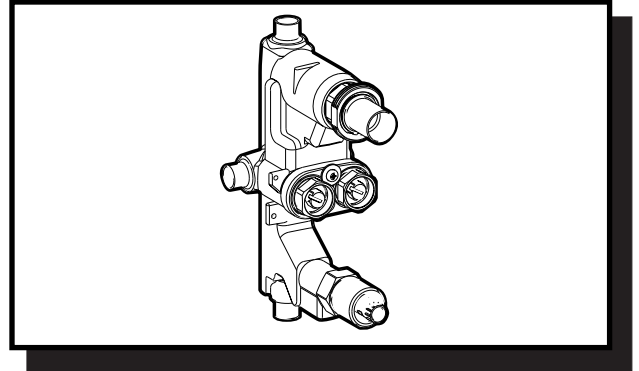
- Thermostatic pressure balancing cartridge design with nonmetallic/nonferrous materials
- 1248 cartridge design with nonmetallic/nonferrous and stainless steel materials

STANDARDS

- Third party certified by CSA to meet CSA B-125, ASME A112.18.1M and all applicable requirements referenced therein including ASSE 1016

WARRANTY

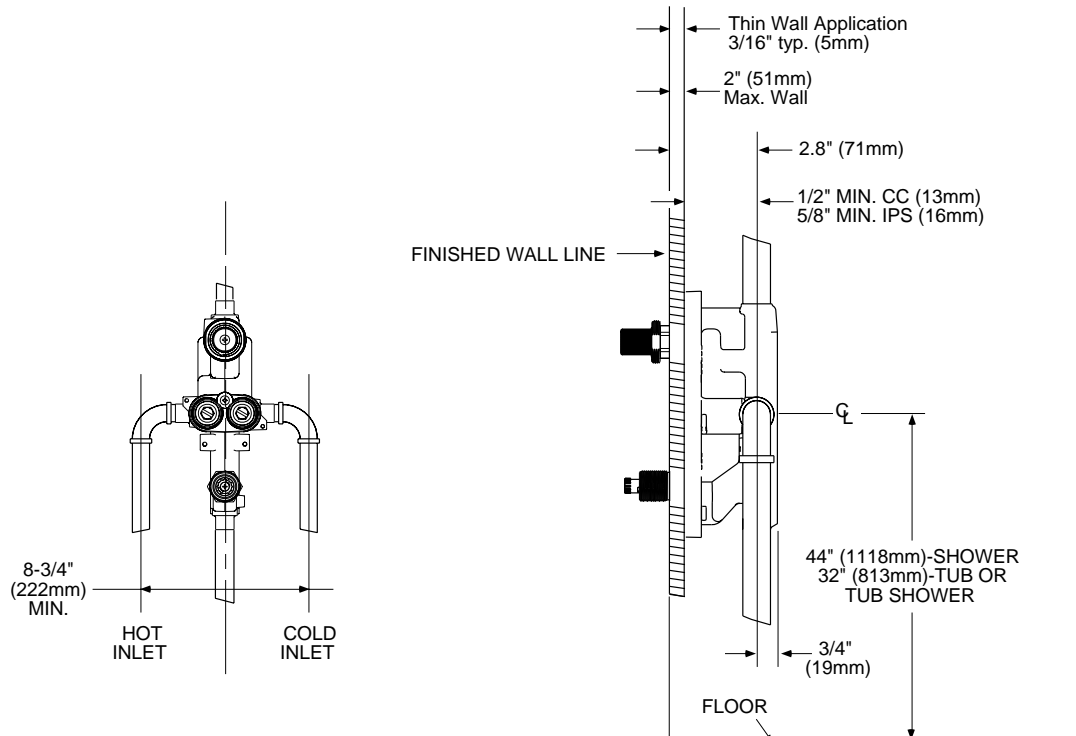
- Lifetime limited warranty against leaks, drips and finish defects to the original consumer purchaser
- 5 year warranty if used in commercial installations



EXACTTEMP™ VALVE
Thermostatic Pressure-Balancing Valve

Models: 3301 (CC), 3321 (IPS)

NOTE: See reverse side for illustrated parts



CRITICAL DIMENSIONS

(DO NOT SCALE)