



Buy it for looks. Buy it for life.®

# Specifications

## DESCRIPTION

- Metal construction with a chrome finish
- Single handle, pressure balancing, four port, cycle valve with integral check stops and adjustable temperature limit stop
- 1/2" CC connections

## OPERATION

- Knob style handle, Pull-on push-off design
- Temperature operates through an 180° arc of handle travel (full cold to full hot)
- Adjustable temperature limit stop to control maximum hot water temperature
- Pressure balancing mechanism maintains selected discharge temperature to ± 2°.

## CARTRIDGE

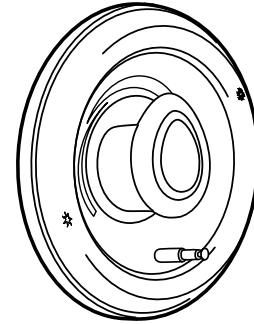
- 1225 cartridge design
- Accommodates back to back installations
- Nonmetallic/nonferrous and stainless steel material

## STANDARDS

- Third party certified to meet ASME A112.18.1/CSA B125.1 and all applicable specifications referenced therein

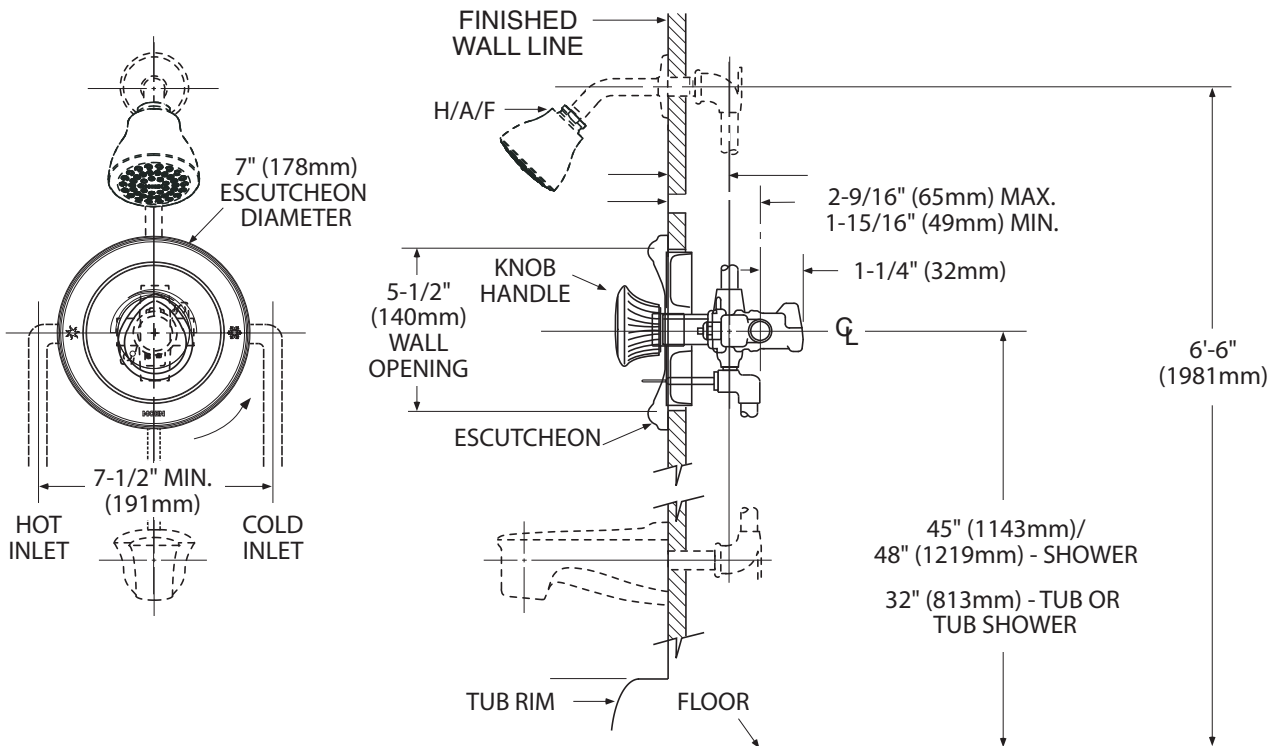
## WARRANTY

- Lifetime limited warranty against leaks, drips and finish defects to the original consumer purchaser
- 5 year warranty if used in commercial installations



**LEGEND® MOENTROL®**  
**Single-Handle Tub/Shower Valve And Trim**  
**With Push Button Diverter**

**Models: 3270**



## CRITICAL DIMENSIONS

(DO NOT SCALE)

**FOR MORE INFORMATION CALL: 1-800-BUY-MOEN**

**www.moen.com**