

## FAUCET DESCRIPTION

- Metal construction with various finishes identified by suffix
- For use with S3371, 3/4" thermostatic valve

## OPERATION

- Temperature lever operates through a 340° arc with maximum cold at full clockwise rotation and maximum hot at full counterclockwise rotation
- Safety stop preset temperature at 105°F (41°C)
- Safety stop override allows maximum temperature at 120°F (49°C)
- Factory established temperature range from 70°F (21°C) to 120°F (49°C)

## CARTRIDGE

- 130156 thermostatic cartridge design with non metallic/nonferrous materials

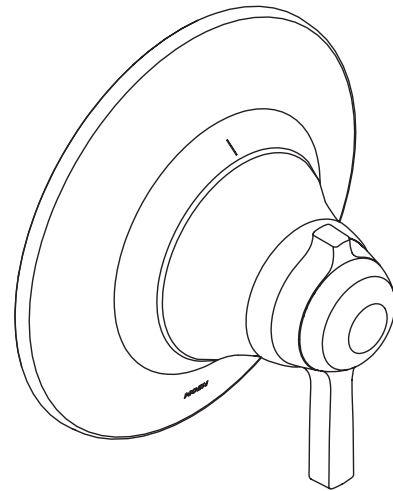
## STANDARDS

- Third party certified to: ASME A112.18./CSA B-125.1, ASSE1016 and all applicable requirements referenced therein

- ADA  for lever handle

## WARRANTY

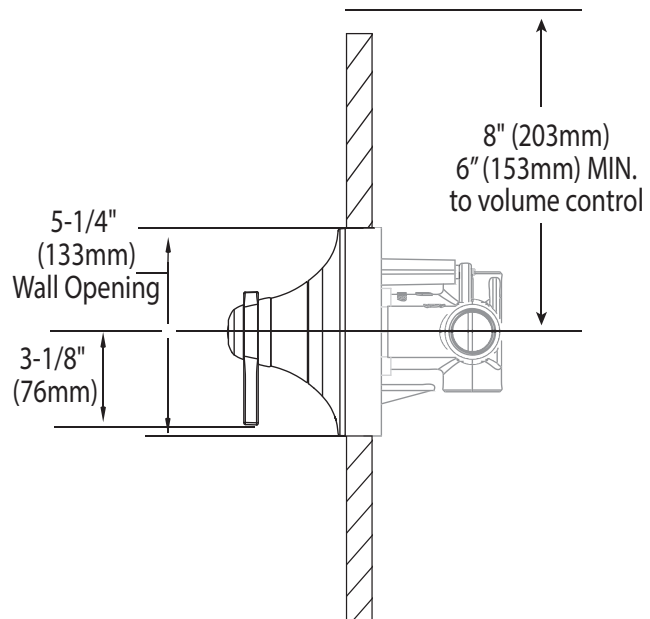
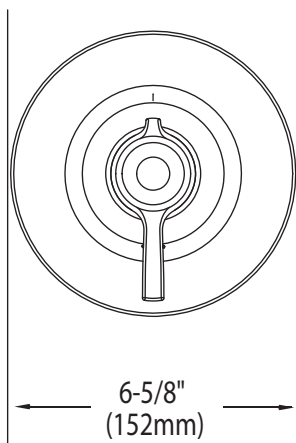
- Lifetime limited warranty against leaks, drips and finish defects to the original homeowner
  - 10 year limited warranty when used in a multifamily installation
  - 5 year limited warranty when used in a commercial installation
- Visit [www.moen.com/support](http://www.moen.com/support) for complete details and limitations



**FLARA™**  
**3/4" Thermostatic Shower Trim**

**Models:** TS4201 series

**Valve Model:** S3371 (sold separately)



## **CRITICAL DIMENSIONS**

(DO NOT SCALE)