

### FAUCET DESCRIPTION

- Metal construction with various finishes identified by suffix

### OPERATION

- Lever style handle with temperature indicator on the escutcheon, pull-on/push-off operation
- Temperature operates through an 180° arc of handle travel (full cold to full hot)
- Adjustable temperature limit stop to control maximum hot water temperature
- Pressure balancing mechanism maintains selected discharge temperature to  $\pm 2^\circ$


### FLOW

- NH Suffix models contain no showerhead

### CARTRIDGE

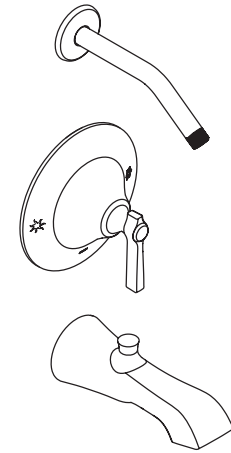
- 1225° cartridge design
- Nonmetallic/nonferrous and stainless steel materials
- Accommodates back to back installations

### STANDARDS

- Third party certified to ASME A112.18.1/CSA B-125-1, and all applicable requirements referenced therein
- ADA  for lever handle

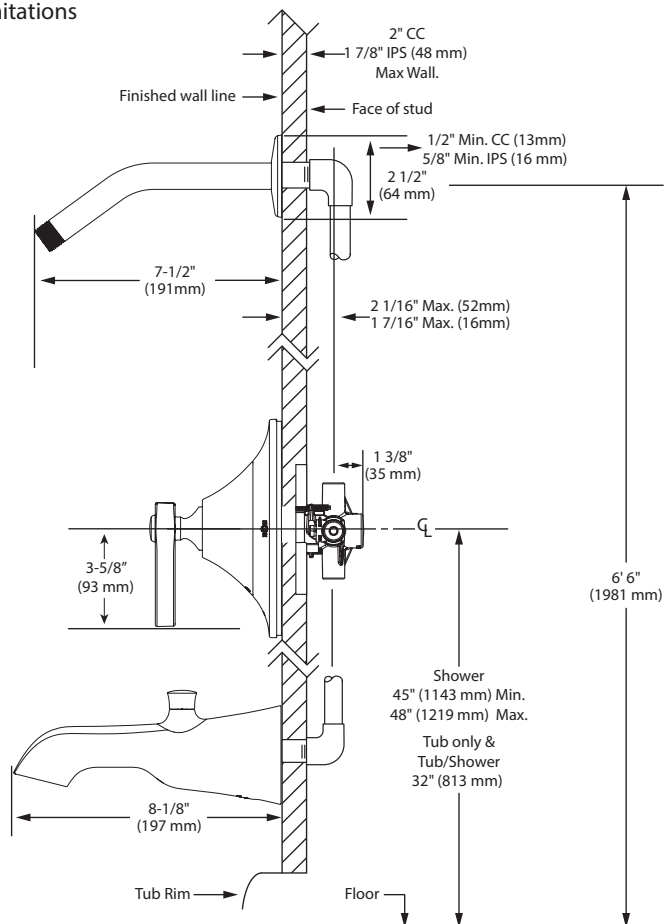
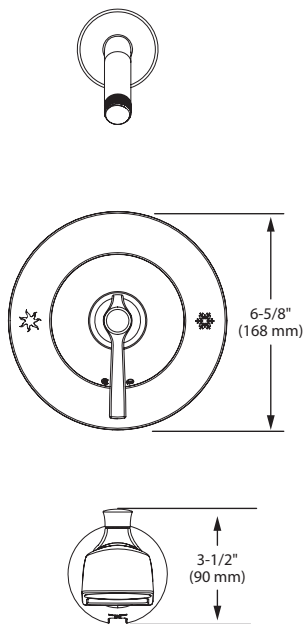
### WARRANTY

- Lifetime limited warranty against leaks, drips and finish defects to the original homeowner
  - 10 year limited warranty when used in a multifamily installation
  - 5 year limited warranty when used in a commercial installation
- Visit [www.moen.com/support](http://www.moen.com/support) for complete details and limitations



### FLARA™ MOENTROL® Single-Handle Tub/Shower Trim Only

- Models:** TS3911 series - valve only trim  
 TS3912NH series - shower only trim  
 TS3913NH series - tub/shower trim
- Valves:** 3510, 3520, 3570 Series



### CRITICAL DIMENSIONS (DO NOT SCALE)