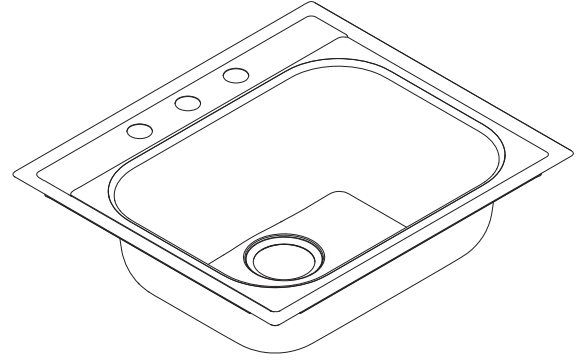


# MOEN®

# Specifications

Model Number	Faucet Holes	Depth-Inches	Drain Placement	ADA/FHA Compliant*
GS201961BQ	1	7"	Rear	FHA
GS201962BQ	2	7"	Rear	FHA
GS201963BQ <i>(pictured)</i>	3	7"	Rear	FHA
GS201964BQ	4	7"	Rear	FHA
GS201964Q	4	7"	Center	No
GS201974LQ	4	5-1/2"	Rear (Left)	ADA/FHA
GS201974RQ	4	5-1/2"	Rear (Right)	ADA/FHA
GS201974BQ	4	5-1/2"	Rear (Center)	ADA/FHA



## SINK DESCRIPTION

- 2000 Series single bowl drop-in sink
- 20 gauge stainless steel, matte bowl finish
- U-channel mounting system, hardware included
- QuickMount™ installation included
- SoundSHIELD™ sound absorbing system

## WARRANTY

- Lifetime limited warranty to the original homeowner
- 10 year limited warranty when used in a Multi-family installation
- 5 year limited warranty when used in a Commercial installation
- Visit [www.moen.com/customer-support/warranty](http://www.moen.com/customer-support/warranty) for complete details and limitations

## SINK DIMENSIONS

- Overall: 25" x 22"
- Bowl: 21" x 15-3/4"
- Drain Size: 3-5/8"
- Faucet Holes
  - 1-1/2" (38mm) diameter
  - 4" (102mm) center
  - 8" (203mm) centers for 2 hole

## CUT OUT DIMENSIONS

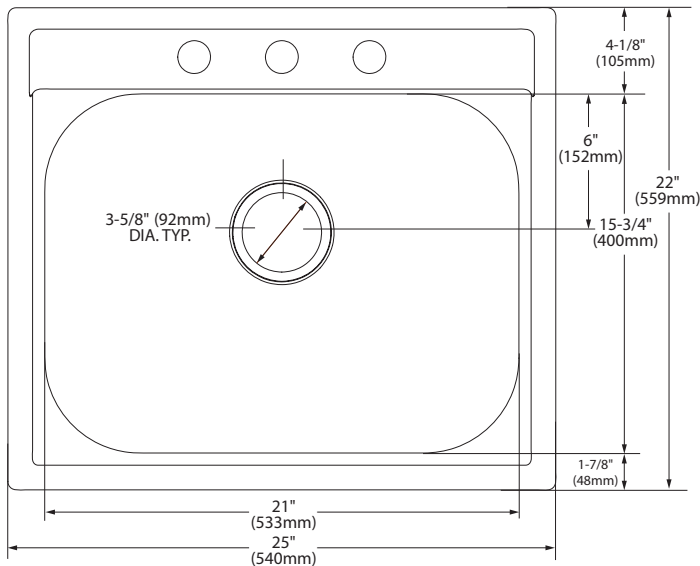
- 24-3/8" x 21-5/8" with 1-1/2" corner radius, tolerance of plus or minus 1/16" is acceptable

## STANDARDS

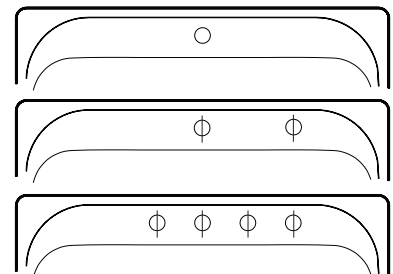
- Third party certified to meet ASME A112.19.3/CSA B45.4 and all applicable specifications referenced therein
- \***ADA/FHA** Sink compliant to ADA (ICC A117.1) and FHA accessibility specifications when installed to these required standards. Always consult with your local building department for the specific installation requirements.
- \***FHA** Sink compliant to FHA accessibility specifications when installed to these required standards. Always consult with your local building department for the specific installation requirements.

## CRITICAL DIMENSIONS

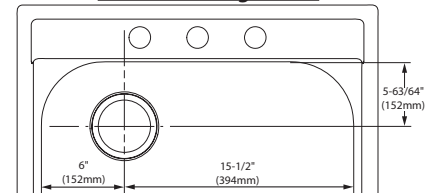
(DO NOT SCALE)



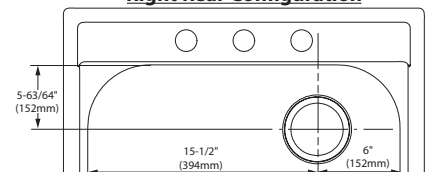
## Faucet Hole Configurations



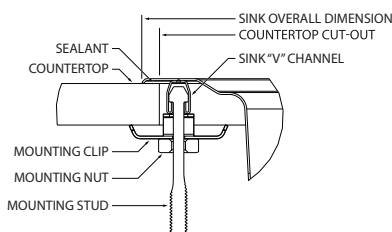
## Left Rear Configuration



## Right Rear Configuration



## Installation Detail



MADE IN THE USA

FOR MORE INFORMATION CALL: 1-800-BUY-MOEN

[www.moen.com](http://www.moen.com)