



Buy it for looks. Buy it for life.®

*There is more than one version of this model.
Page down to identify the version you have.*

FAUCET DESCRIPTION

- Metal construction with various finishes identified by suffix
- Brass swivel ball assembly

OPERATION

- Self pressurizing design that provides strong performance regardless of line pressure
- Single spray function

FLOW

- Showerhead is designed to deliver 2.5 gpm (9.5 L/min) at 80 psi
- EP suffix models are limited to 1.75 gpm (6.6 L/min) at 80 psi

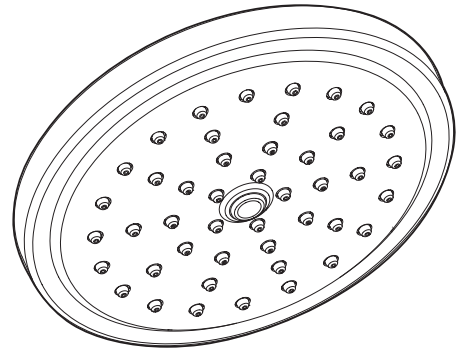
STANDARDS

- Third party certified to CSA B125.1/ASME A112.18.1 and all applicable requirements referenced therein
- EP suffix models are IAPMO Green listed and third party certified to WaterSense®

WARRANTY

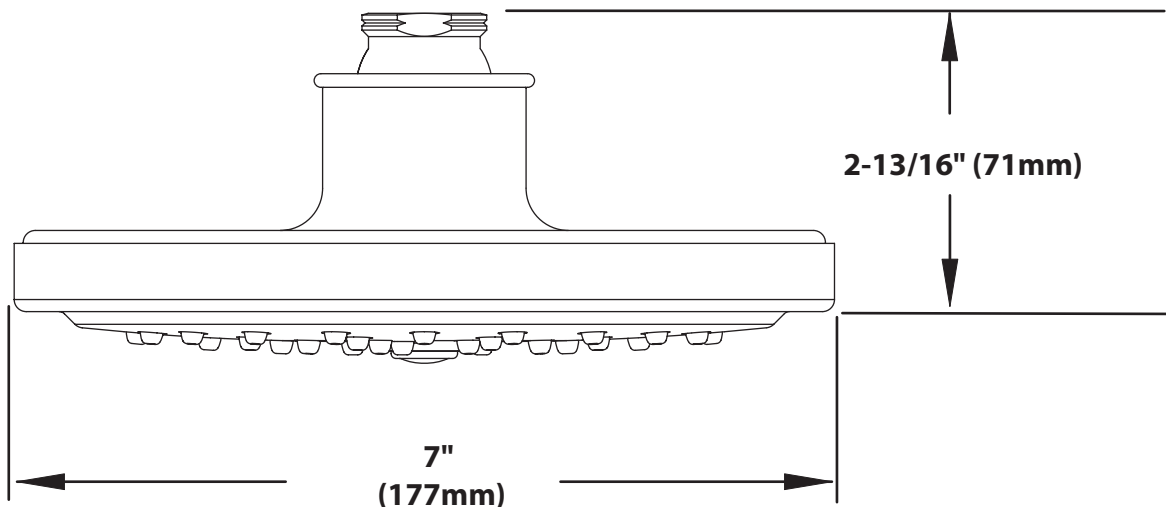
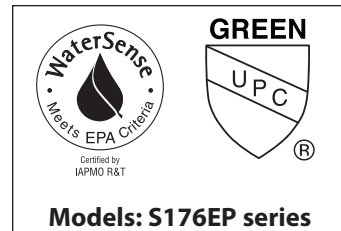
- Lifetime limited warranty against leaks, drips and finish defects to the original homeowner
 - 10 year limited warranty when used in a multifamily installation
 - 5 year limited warranty when used in a commercial installation
- Visit www.moen.com/support for complete details and limitations

Specifications



7" Rainfall Showerhead

Models: S176 series



CRITICAL DIMENSIONS
(DO NOT SCALE)



Buy it for looks. Buy it for life.®

Specifications

FAUCET DESCRIPTION

- Metal construction with various finishes identified by suffix
- Brass swivel ball assembly

OPERATION

- Self pressurizing design that provides strong performance regardless of line pressure
- Single spray function

FLOW

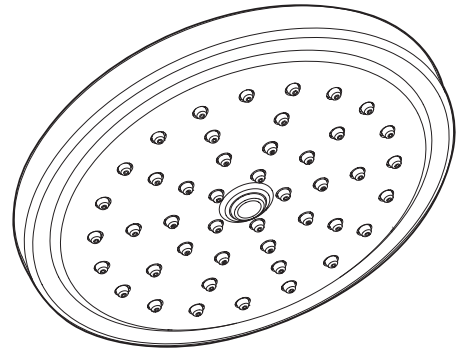
- Showerhead is designed to deliver 2.5 gpm (9.5 L/min) at 80 psi
- EP suffix models are limited to 2.0 gpm (7.76 L/min) at 80 psi

STANDARDS

- Third party certified to CSA B125.1/ASME A112.18.1 and all applicable requirements referenced therein
- EP suffix models are IAPMO Green listed and third party certified to WaterSense®

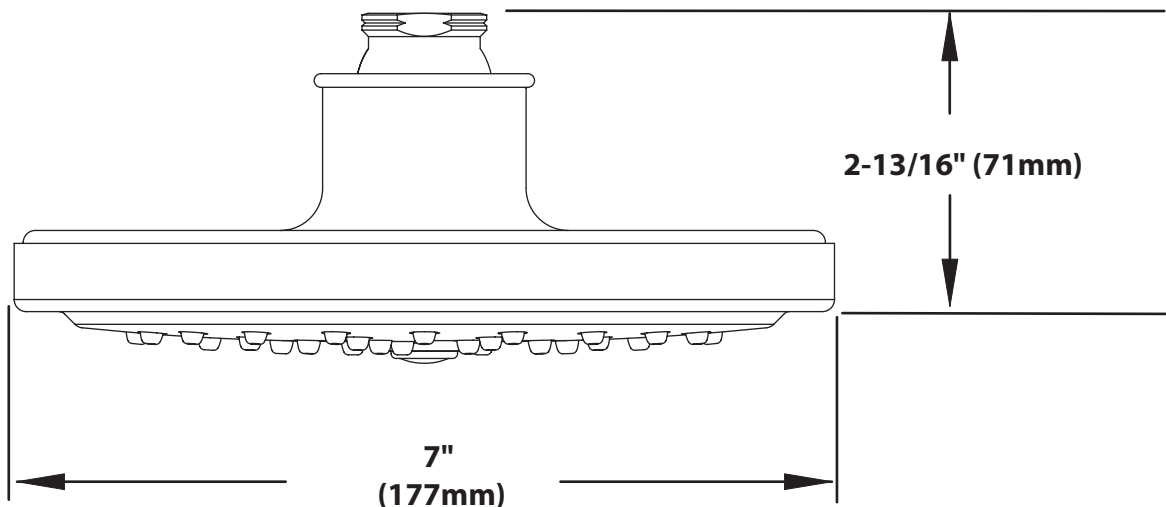
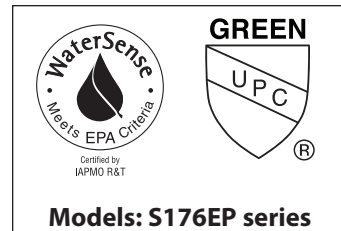
WARRANTY

- Lifetime limited warranty against leaks, drips and finish defects to the original consumer purchaser
- 5 year warranty if used in commercial installations



7" Rainfall Showerhead

Models: S176 series



CRITICAL DIMENSIONS

(DO NOT SCALE)