



A Moen Incorporated Brand

*There is more than 1 version of this model.
Page down to identify the version you have.*

Models:
41215 no waste
41217 w/50/50 waste



Capstone®



Two Handle Lavatory Faucet

DESCRIPTION

- Metal construction with various finishes identified by suffix
- Handles withstand aggressive scrubbing cleaners
- Six (6) individual boxes per master carton
- 1/2" IPS connections

OPERATION

- Lever-style handles
- Hot side: Turn counterclockwise to open (clockwise to close)
- Cold side: Turn clockwise to open (counterclockwise to close)
- Will operate with less than 5 lbs. of torque
- No grasping motion required to operate the faucet handles

FLOW

- Water usage is limited to these maximum flow rates as indicated by the corresponding product markings
 - 1.2 gpm max (4.5L/min) at 60 psi
 - 1.5 gpm max (5.7L/min) at 60 psi

CARTRIDGE

- Ceramic disc technology
- Non-metallic, non-ferrous, and brass material
- Single body construction for easy replacement

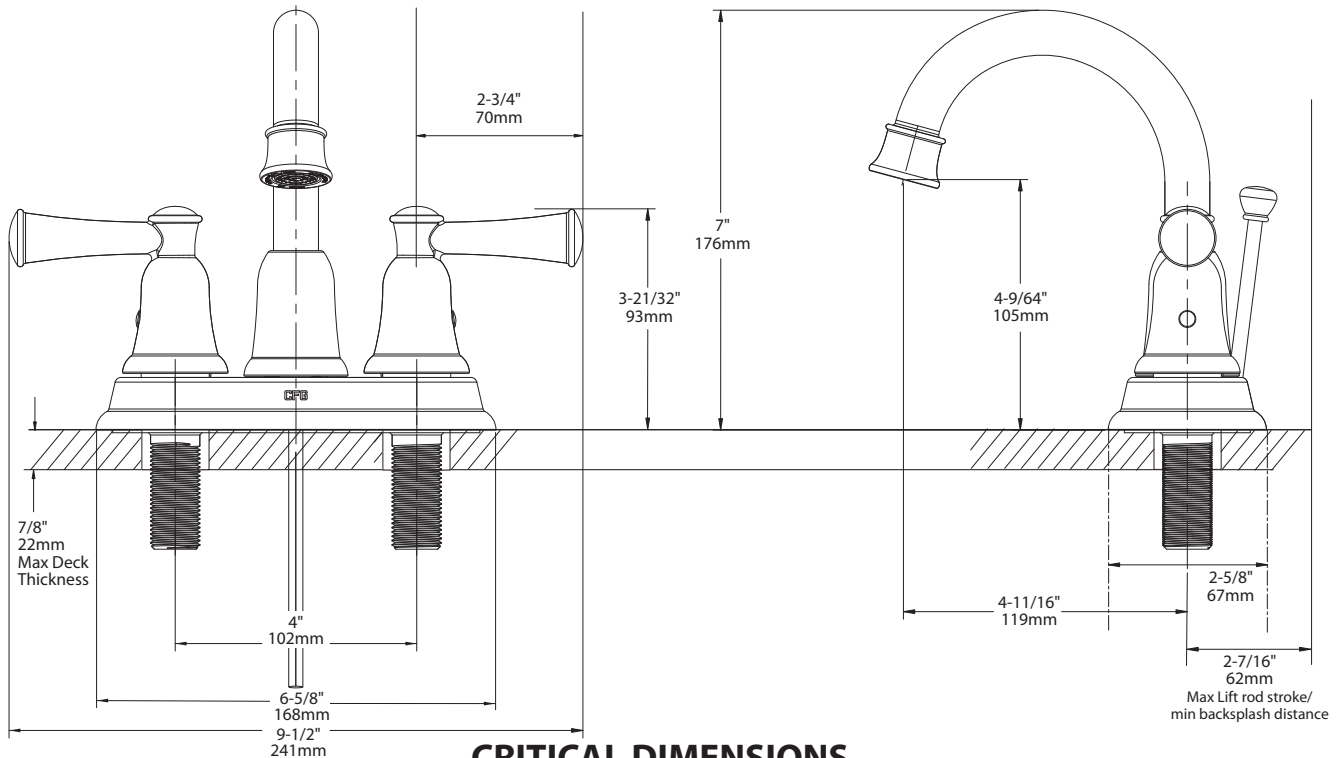
STANDARDS

- Third party certified to ASME A112.18.1/CSA B125.1, NSF 61/9 & 372, and all applicable requirements referenced therein, the Federal Safe Drinking Water Act, California Proposition 65, Illinois, Massachusetts, and Texas
- All CFG products are compliant to all plumbing codes that require 3rd party certification to the applicable plumbing/fitting standards
- Products marked with 1.2 gpm are compliant with California water efficiency regulations
- Features red/blue hot/cold temperature indicators

WARRANTY – RESIDENTIAL, COMMERCIAL

- Ten year limited warranty against defects in materials and manufacturing workmanship
- Refer to the installation instructions enclosed with each CFG product or call 1-888-450-5522 for complete warranty information

NOTE: This faucet is designed to be installed through 3 holes, 1" (25mm) minimum diameter, 4" centers.



CRITICAL DIMENSIONS

(DO NOT SCALE)



A Moen Incorporated Brand

Models:
41215 no waste
41217 w/50/50 waste



Capstone®



Two Handle Lavatory Faucet

DESCRIPTION

- Metal construction with various finishes identified by suffix
- Handles withstand aggressive scrubbing cleaners
- Six (6) individual boxes per master carton
- 1/2" IPS connections

OPERATION

- Lever-style handles
- Hot side: Turn counterclockwise to open (clockwise to close)
- Cold side: Turn clockwise to open (counterclockwise to close)
- Will operate with less than 5 lbs. of torque
- No grasping motion required to operate the faucet handles

FLOW

- Flow is limited to 1.5 gpm max. (5.7L/min) at 60 psi

CARTRIDGE

- Ceramic disc technology
- Non-metallic, non-ferrous, and brass material
- Single body construction for easy replacement

STANDARDS

- Third party certified to WaterSense® CSA B125.1, ANSI/NSF 61/9, IAPMO, and all applicable requirements referenced therein, the Federal Safe Drinking Water Act, California Proposition 65, Illinois, Massachusetts, and Texas
- All CFG products are compliant to all plumbing codes that require 3rd party certification to the applicable plumbing/fitting standards
- Features red/blue hot/cold temperature indicators

WARRANTY – RESIDENTIAL, COMMERCIAL

- Ten year limited warranty against defects in materials and manufacturing workmanship
- Refer to the installation instructions enclosed with each CFG product or call 1-888-450-5522 for complete warranty information

NOTE: This faucet is designed to be installed through 3 holes, 1" (25mm) minimum diameter, 4" centers.

